

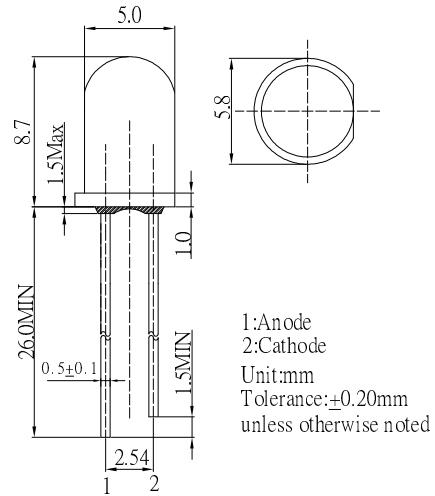
### ■ Features

- High Luminous LEDs
- 5mm Round Standard Directivity
- Superior Weather-resistance
- UV Resistant Epoxy
- 6.8Hz 1/12 Duty Cycle Flashing Type
- Water Clear Type

### ■ Applications

- Toys
- Games
- Audio
- Other Lighting

### ■ Outline Dimension

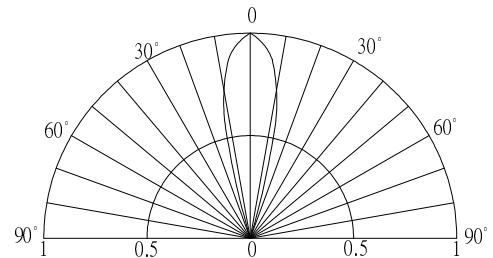


### ■ Absolute Maximum Rating

(Ta=25°C)

| Item                       | Symbol  | Value       | Unit |
|----------------------------|---------|-------------|------|
| Power Supply               | Voltage | 5           | V    |
| Duty Cycle                 | Duty    | 1/12        | -    |
| Operating Temperature      | Topr    | -30 ~ +85   | °C   |
| Storage Temperature        | Tstg    | -40 ~ +100  | °C   |
| Lead Soldering Temperature | Tsol    | 260 °C/5sec | -    |

### ■ Directivity



### ■ Electrical -Optical Characteristics (Ta=25°C)

| Part Number       | Color      |   | VF (V)   |      |      | Iv(mcd)* |       |      | λD(nm)*         |      |      | Fled (Hz)* | 2θ1/2(deg) |
|-------------------|------------|---|----------|------|------|----------|-------|------|-----------------|------|------|------------|------------|
|                   |            |   | Min.     | Typ. | Max. | Min.     | Typ.  | Max. | Min.            | Typ. | Max. | Typ.       | Typ        |
|                   |            |   | IF =20mA |      |      | IF =20mA |       |      |                 |      |      |            |            |
| OSW5DP5A31A-6.8HZ | Cool White | W | 3.0      | 3.5  | 5.0  | 7000     | 8400  | -    | CCT:8000-18000K |      |      | 6.8        | 30         |
| OSM5DP5A31A-6.8HZ | Warm White | M | 3.0      | 3.5  | 5.0  | 7000     | 8400  | -    | CCT:2700-3200K  |      |      |            |            |
| OSB5SP5A31A-6.8HZ | Blue       | B | 3.0      | 3.5  | 5.0  | 2000     | 2500  | -    | 465             | 470  | 475  |            |            |
| OSG5DP5A31A-6.8HZ | Pure Green | G | 3.0      | 3.5  | 5.0  | 7000     | 8400  | -    | 520             | 525  | 530  |            |            |
| OSY5MP5A31A-6.8HZ | Yellow     | Y | 3.0      | 3.5  | 5.0  | 5800     | 6500  | -    | 585             | 590  | 595  |            |            |
| OS5OGP5A31A-6.8HZ | Orange     | O | 3.0      | 3.5  | 5.0  | 12000    | 14400 | -    | 600             | 605  | 610  |            |            |
| OSR5MP5A31A-6.8HZ | Red        | R | 3.0      | 3.5  | 5.0  | 5800     | 6500  | -    | 620             | 625  | 630  |            |            |

\*1 Tolerance of measurements of chromaticity coordinates is ±10%

\*2 Tolerance of measurements of dominant wavelength is ±1nm

\*3 Tolerance of measurements of luminous intensity is ±15%

\*4 Tolerance of measurements of forward voltage is ±0.1V

\*5 Tolerance of measurements of Frequency is ±20%

## X-ON Electronics

Largest Supplier of Electrical and Electronic Components

*Click to view similar products for [Standard LEDs - SMD category](#):*

*Click to view products by [Optosupply manufacturer](#):*

Other Similar products are found below :

[LTST-C19GD2WT](#) [LTST-N683GBEW](#) [597-3006-607F](#) [597-3403-607F](#) [LTW-K140SZR40](#) [LTW-M140ZVS](#) [598-8110-100F](#) [598-8170-100F](#)  
[598-8610-202F](#) [7012X7](#) [AAAF5060QBFSEEZGS](#) [12-22SURSYGC/S530-A3/E2/TR8](#) [1383SURT/S530-A3/TR1\(R\)](#) [APT1608QGW](#)  
[EASV1803BA0](#) [HT-F104TW-5860](#) [SML310BATT86](#) [SML-512VWT86A](#) [SML-LX0606SISUGC/A](#) [SML-LXL1307SRC-TR](#) [SML-](#)  
[LXR851SIUPGUBC](#) [LT1ED53A](#) [17-21/G6C-FM1N2B/3T](#) [FAT801-S](#) [SSL-LXA227IC-TR31A](#) [AM27ZGC03](#) [APB3025SGNC](#)  
[APHK1608VGCA](#) [APT2012QGW](#) [CLMVC-FKA-CA1E1L81BB7C3C3](#) [CLYBA-FKA-CFHHL9BBB7A363](#) [CMD11504UR](#) [LTW-](#)  
[020ZDCG](#) [LTW-21TS5](#) [LTW-K140SZR30](#) [HSMY-C177](#) [HT-121UYG-4739](#) [UYGT801-S](#) [KVH1C100MF6R](#) [42-21SYGC/S530-E1/TR8](#)  
[YGFR411-H](#) [597-2311-402F](#) [5973212407NF](#) [597-3302-607F](#) [597-5202-407F](#) [598-8330-117F](#) [SAW8WA2A-L35M40-CA](#) [SML013WBDW1](#)  
[SML522BUWT86](#) [SML-LX0402IC-TR](#)