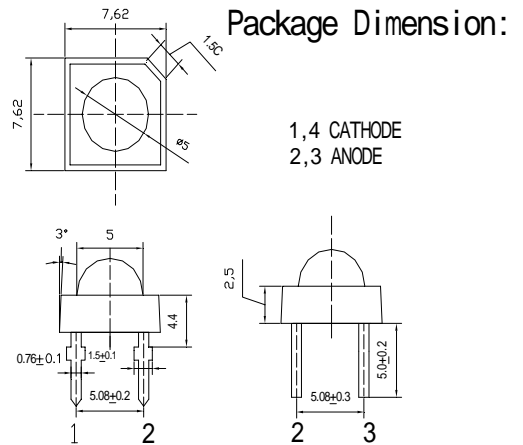


■Features

- Super Flux Output
- Water Clear Type
- Low Thermal resistance
- Design For High Current Operation.
- RoHS Compliant

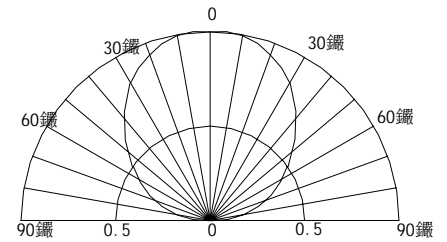
■Applications

- Automotive Dashboard Lighting
- Traffic signal lamp
- Other Exterior Lighting

■Outline Dimension

■Absolute Maximum Rating (Ta=25 °C)

| Item | Symbol | Value | Unit |
|----------------------------|-----------|-----------|------|
| DC Forward Current | I_F | 70 | mA |
| Pulse Forward Current* | I_{FP} | 100 | mA |
| Power Dissipation | P_D | 160 | mW |
| Operating Temperature | T_{opr} | -30~+80 | |
| Storage Temperature | T_{stg} | -30~+100 | |
| Lead Soldering Temperature | T_{sol} | 260 /5sec | - |

*Pulse width Max.10ms Duty ratio max 1/10

■Directivity

■Electrical -Optical Characteristics (Ta=25 °C)

| Item | Symbol | Condition | Min. | Typ. | Max. | Unit |
|--------------------|-----------------|------------|------|------|------|---------|
| DC Forward Voltage | V_F | $I_F=50mA$ | 2.2 | 2.5 | 2.8 | V |
| DC Reverse Current | I_R | $V_R=5V$ | - | - | 10 | μA |
| Domi. Wavelength | λ_D | $I_F=50mA$ | 620 | 625 | 630 | nm |
| Luminous Intensity | I_V | $I_F=50mA$ | 2000 | 3000 | 4000 | mcd |
| 50% Power Angle | $2\theta_{1/2}$ | $I_F=50mA$ | - | 120 | - | deg |

*Please refer to CIE 1931 chromaticity diagram.

X-ON Electronics

Largest Supplier of Electrical and Electronic Components

Click to view similar products for [Infrared Emitters - High Power category](#):

Click to view products by [Optosupply manufacturer](#):

Other Similar products are found below :

[IR19-315C/TR8](#) [SFH 4030](#) [SFH 4060](#) [HSM8-V380](#) [HSM9-V380](#) [SFH 5750](#) [PK2S-2KJE-A](#) [PK2S-2LJE-A](#) [PK2S-3KJE-A](#) [PK2S-3KKE-A](#)
[PK2S-3LJE-A](#) [PK2S-4KJE-A](#) [AREQ-90C0-00000](#) [AREQ-80C0-00000](#) [SFH 4775S A01](#) [SST-10-IRD-B90H-S810](#) [SFH 4727A](#) [SFH 4726AS](#)
[SFH 4717AS](#) [SFH 4725AS](#) [AREQ-8020-00000](#) [HR5P-N3FB-00000](#) [HR5P-N2FB-00000](#) [HR5P-N3CB-00000](#) [HR5P-N2CB-00000](#) [HR5P-](#)
[N3CA-00000](#) [HR5P-N2CA-00000](#) [HR5P-N2FA-00000](#) [HR5P-N3FA-00000](#) [VSMY2853SLX01](#) [VSMY2853RGX01](#) [VSMY2853GX01](#)
[VSMY2850GX01](#) [IN-P281ASGHIR](#) [IN-P281ASGIR](#) [QEE123](#) [HSDL-4400#011](#) [C3535SIR2C-2B](#) [KM-4457F3C](#) [L-53F3BT](#) [VTE1291W-2H](#)
[LL-304IRC4B-2AD](#) [LL-503HIRT2E-1CC](#) [LL-503IRC2E-2AC](#) [LL-503IRC2V-2AD](#) [LL-503IRT2E-2AC](#) [LL-503IRT2E-2AE](#) [LL-](#)
[503SIRC2E-1BD](#) [LL-503SIRC2H-1BE](#) [LL-S170IRC-2A](#)