

**■Features**

- Single chip
- Super high brightness of surface mount LED
- Compact package outline  
(L x W x T) of 3.2mm x 1.0mm x 1.5mm
- Compatible to IR reflow soldering.

**■Applications**

- Backlighting (switches, keys, etc.)
- Marker lights (e.g. steps, exit ways, etc.)

**■Absolute Maximum Rating**

(Ta=25°C)

Item	Symbol	Value		Unit
		W/K4/B/TG	YG/Y/OR/HR	
DC Forward Current	I <sub>F</sub>	30	25	mA
Pulse Forward Current*	I <sub>FP</sub>	100	80	mA
Reverse Voltage	V <sub>R</sub>	5	5	V
Power Dissipation	P <sub>D</sub>	102	60	mW
Operating Temperature	Topr	-40 ~ +85		°C
Storage Temperature	Tstg	-40~ +85		°C
Lead Soldering Temperature	Tsol	260°C/5sec		-

\*Pulse width Max 0.1ms, Duty ratio max 1/10

**■Electrical -Optical Characteristics**

(Ta=25°C)

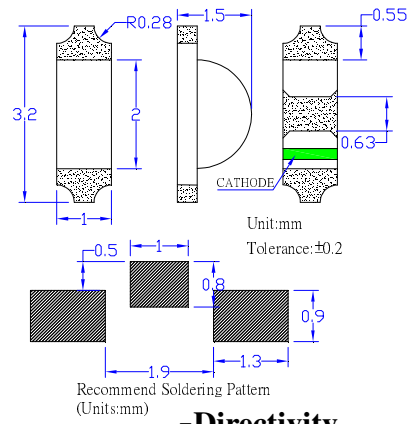
Part Number	Color		V <sub>F</sub> (V)			I <sub>R</sub> (μA)	I <sub>v</sub> (mcd)			λD(nm)			2θ1/2(deg)
			Min.	Typ.	Max.	Max.	Min.	Typ.	Max.	Min.	Typ.	Max.	Typ.
			I <sub>F</sub> =20mA			V <sub>R</sub> =5V		I <sub>F</sub> =20mA					
OSWA1204C1E	White	WA	2.8	-	3.4	10	300	450		8200K	10500K	12500K	120
OSK41204C1E	Pink	K4	2.8		3.4	10	100	200		X:0.22 Y:0.08			120
OSB51204C1E	Blue	B5	2.8	-	3.4	10	120	210		462	467	472	120
OSG51204C1E	True green	G5	2.8	-	3.4	10	350	600		518	522	526	120
OSG81204C1E	Yellow green	G8	1.8	-	2.4	10	25	50		566	569	572	120
OSY51204C1E	Yellow	Y5	1.8	-	2.4	10	70	150		586	589	592	120
OSO51204C1E	Orange	O5	1.8	-	2.4	10	70	150		600	605	610	120
OSR51204C1E	Red	R5	1.8	-	2.4	10	70	150		617	621	625	120

Note: \* V<sub>f</sub> tolerance: ±0.05V

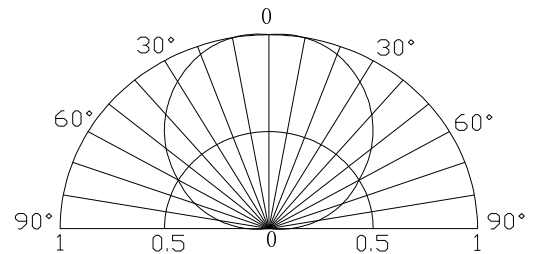
\* Dominant wavelength tolerance: ±1nm

\* Luminous intensity is NIST reading. Luminous intensity toleran

**■Outline Dimension**



**■Directivity**



## X-ON Electronics

Largest Supplier of Electrical and Electronic Components

*Click to view similar products for [Standard LEDs - SMD category](#):*

*Click to view products by [Optosupply manufacturer](#):*

Other Similar products are found below :

[LTST-C19GD2WT](#) [LTST-N683GBEW](#) [597-3006-607F](#) [597-3403-607F](#) [LTW-K140SZR40](#) [LTW-M140ZVS](#) [598-8110-100F](#) [598-8170-100F](#)  
[598-8610-202F](#) [7012X7](#) [AAAF5060QBFSEEZGS](#) [12-22SURSYGC/S530-A3/E2/TR8](#) [1383SURT/S530-A3/TR1\(R\)](#) [APT1608QGW](#)  
[EASV1803BA0](#) [HT-F104TW-5860](#) [SML310BATT86](#) [SML-512VWT86A](#) [SML-LX0606SISUGC/A](#) [SML-LXL1307SRC-TR](#) [SML-](#)  
[LXR851SIUPGUBC](#) [LT1ED53A](#) [17-21/G6C-FM1N2B/3T](#) [FAT801-S](#) [SSL-LXA227IC-TR31A](#) [AM27ZGC03](#) [APB3025SGNC](#)  
[APHK1608VGCA](#) [APT2012QGW](#) [CLMVC-FKA-CA1E1L81BB7C3C3](#) [CLYBA-FKA-CFHHL9BBB7A363](#) [CMD11504UR](#) [LTW-](#)  
[020ZDCG](#) [LTW-21TS5](#) [LTW-K140SZR30](#) [HSMY-C177](#) [HT-121UYG-4739](#) [UYGT801-S](#) [KVH1C100MF6R](#) [42-21SYGC/S530-E1/TR8](#)  
[YGFR411-H](#) [597-2311-402F](#) [5973212407NF](#) [597-3302-607F](#) [597-5202-407F](#) [598-8330-117F](#) [SAW8WA2A-L35M40-CA](#) [SML013WBDW1](#)  
[SML522BUWT86](#) [SML-LX0402IC-TR](#)