

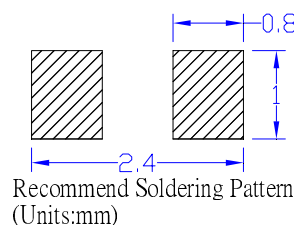
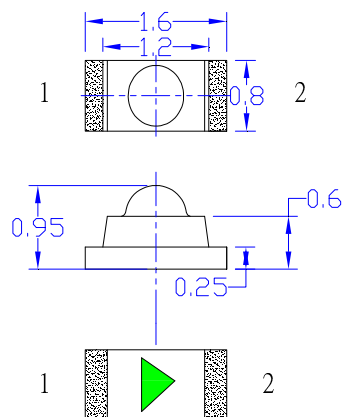
■Features

- Single chip
- Super high brightness of surface mount LED
- Compact package outline
(LxWxT) of 1.6mm x 0.8mm x 0.95mm
- Compatible to IR reflow soldering.

■Applications

- Backlighting (switches, keys, etc.)
- Marker lights (e.g. steps, exit ways, etc.)

■Outline Dimension



Unit:mm
Tolerance:±0.2

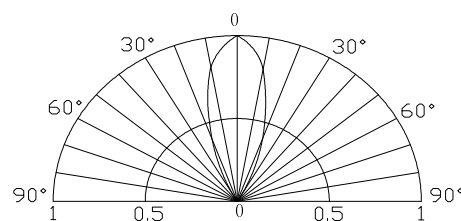
■Absolute Maximum Rating

(Ta=25°C)

Item	Symbo l	Value		Unit
		BL/TG	YG/YL/OR/HR	
DC Forward Current	I _F	30	25	mA
Pulse Forward Current*	I _{FP}	100	80	mA
Reverse Voltage	V _R	5	5	V
Power Dissipation	P _D	102	60	mW
Operating Temperature	T _{opr}	-40 ~ +85		°C
Storage Temperature	T _{stg}	-40~ +85		°C
Lead Soldering Temperature	T _{sol}	260°C/5sec		-

*Pulse width Max 0.1ms, Duty ratio max 1/10

■Directivity



■Electrical -Optical Characteristics

(Ta=25°C)

Part Number	Color			V _F (V)			I _R (μA)	I _v (mcd)			λD(nm)			2θ1/2(deg)
				Min.	Typ.	Max.	Max.	Min.	Typ.	Max.	Min.	Typ.	Max.	Typ.
				I _F =5mA			V _R =5V	I _F =5mA						
OSB5060341F	Blue	B5		2.8	3.1	3.4	10	150	350	-	460	465	470	35
OSG5060341F	True Green	G5		2.8	3.1	3.4	10	1300	2500	-	518	521	526	35
OSG8060341F	Yellow green	G8		1.8	2.1	2.4	10	70	150	-	565	570	575	35
OSY5060341F	Yellow	Y5		1.8	2.1	2.4	10	200	400	-	585	590	595	35
OSO5060341F	Orange	O5		1.8	2.1	2.4	10	200	400	-	600	605	610	35
OSR5060341F	Red	R5		1.8	2.1	2.4	10	200	400	-	617	621	625	35

Note: * Vf tolerance: ±0.05V

* Dominant wavelength tolerance: ±1nm

* Luminous intensity is NIST reading. Luminous intensity tolerance:±10%

X-ON Electronics

Largest Supplier of Electrical and Electronic Components

Click to view similar products for [Standard LEDs - SMD category](#):

Click to view products by [Optosupply manufacturer](#):

Other Similar products are found below :

[LTST-C19GD2WT](#) [LTST-N683GBEW](#) [597-3006-607F](#) [597-3403-607F](#) [LTW-K140SZR40](#) [LTW-M140ZVS](#) [598-8110-100F](#) [598-8170-100F](#)
[598-8610-202F](#) [7012X7](#) [AAAF5060QBFSEEZGS](#) [12-22SURSYGC/S530-A3/E2/TR8](#) [1383SURT/S530-A3/TR1\(R\)](#) [APT1608QGW](#)
[EASV1803BA0](#) [HT-F104TW-5860](#) [SML310BATT86](#) [SML-512VWT86A](#) [SML-LX0606SISUGC/A](#) [SML-LXL1307SRC-TR](#) [SML-](#)
[LXR851SIUPGUBC](#) [LT1ED53A](#) [17-21/G6C-FM1N2B/3T](#) [FAT801-S](#) [SSL-LXA227IC-TR31A](#) [AM27ZGC03](#) [APB3025SGNC](#)
[APHK1608VGCA](#) [APT2012QGW](#) [CLMVC-FKA-CA1E1L81BB7C3C3](#) [CLYBA-FKA-CFHHL9BBB7A363](#) [CMD11504UR](#) [LTW-](#)
[020ZDCG](#) [LTW-21TS5](#) [LTW-K140SZR30](#) [HSMY-C177](#) [HT-121UYG-4739](#) [UYGT801-S](#) [KVH1C100MF6R](#) [42-21SYGC/S530-E1/TR8](#)
[YGFR411-H](#) [597-2311-402F](#) [5973212407NF](#) [597-3302-607F](#) [597-5202-407F](#) [598-8330-117F](#) [SAW8WA2A-L35M40-CA](#) [SML013WBDW1](#)
[SML522BUWT86](#) [SML-LX0402IC-TR](#)