

<b>0.39 Inch Dual Digit SMD Display</b>
<b>OSK2039A-IX (Common Anode type)</b>
<b>OSK2039A-LX (Common Cathode type)</b>

■ **Features**

- 0.39 Inch Two Digit Display
- Long lifetime operation
- IC compatible
- Low power dissipation
- Gray surface & white segment or dot
- RoHS compliant

■ **Applications**

- Counting device
- Clock

■ **Absolute Maximum Rating (Ta=25°C)**

Item	Symbol	Value		Unit
		W/B/TG	YG/Y/O/R/RA	
DC Forward Current	I <sub>F</sub>	25	25	mA
Pulse Forward Current*	I <sub>FP</sub>	80	80	mA
Reverse Voltage	V <sub>R</sub>	5	5	V
Power Dissipation	P <sub>t</sub>	90	65	mW
Operating Temperature	T <sub>opr</sub>	-30~ +85		°C
Storage Temperature	T <sub>stg</sub>	-40~ +100		°C
Lead Soldering Temperature(1.6mm Below body)	T <sub>sol</sub>	260°C/3sec		°C

\*Pulse width Max.10ms Duty ratio max 1/10

\*Reflow time Max.3seconds

■ **Electrical -Optical Characteristics (Ta=25°C)**

Part Number	Color		V <sub>F</sub> (V)			I <sub>R</sub> (μA)	I <sub>v</sub> (mcd)			λD(nm)		
			Min.	Typ.	Max.	Max.	Min.	Typ.	Max.	Min.	Typ.	Max.
			I <sub>F</sub> =20mA			V <sub>R</sub> =5V	I <sub>F</sub> =10mA			I <sub>F</sub> =20mA		
OSK2039A-IW(LW)	White	W	-	3.1	3.6	100	20	50	80	6000K	8000K	10000K
OSK2039A-IB(LB)	Blue	B	-	3.1	3.6	100	5	10	15-	465	470	475
OSK2039A-IG(LG)	True green	TG	-	3.1	3.6	100	8	15	25	510	520	530
OSK2039A-IYG(LYG)	Yellow green	YG	-	2.1	2.6	100	3	9	15	565	570	575
OSK2039A-IY(LY)	Yellow	Y	-	2.1	2.6	100	5	10	15	585	590	595
OSK2039A-IO(LO)	Orange	O	-	2.1	2.6	100	5	10	15	600	605	610
OSK2039A-IR(LR)	Red	R	-	2.1	2.6	100	4	9	15	625	630	640

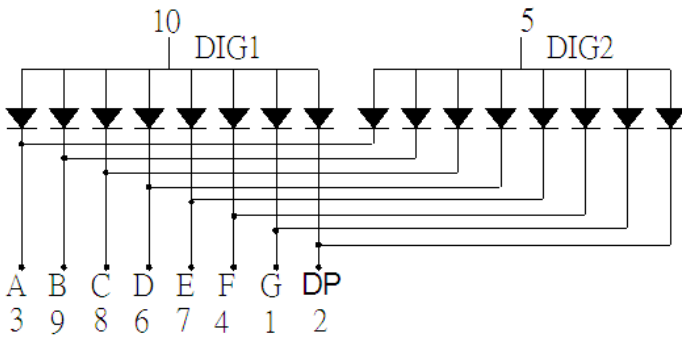
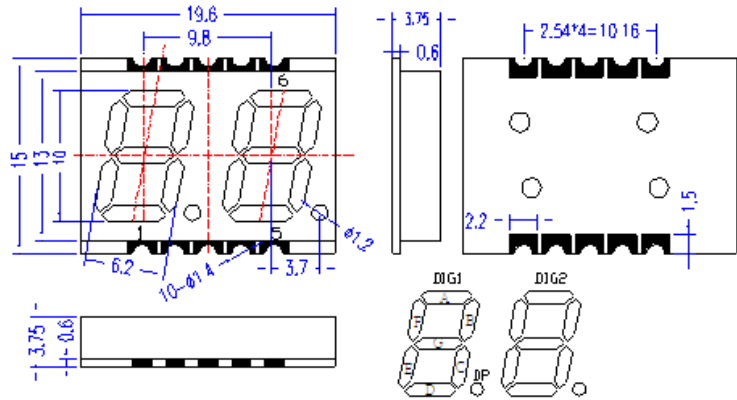
\*1 Tolerance of dominant wavelength is±1nm

\*2 Tolerance of luminous intensity is±15%

■ Package dimensions

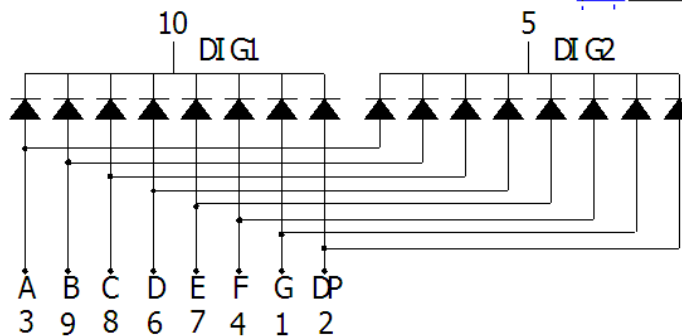
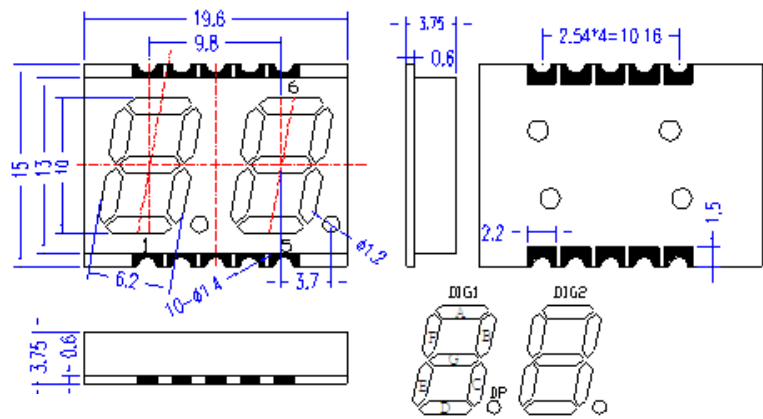
**OSK2039A-IX  
(Common Anode type)**

Note:  
1, Unit : mm (Tolerance: ±0.25mm unless otherwise noted)



**OSK2039A-LX  
(Common Cathode type)**

Note:  
1, Unit : mm (Tolerance: ±0.25mm unless otherwise noted)



## X-ON Electronics

Largest Supplier of Electrical and Electronic Components

*Click to view similar products for [LED Displays & Accessories](#) category:*

*Click to view products by [Optosupply](#) manufacturer:*

Other Similar products are found below :

[LTC-2721WC](#) [LTC-4624JD](#) [LTC-4627G](#) [LTC-4627WC](#) [LTD-5021AWC](#) [LTM-8522G](#) [LTP-4323P](#) [LTP-747G](#) [LTS-3361JG-06](#)  
[F416SYGWA/S530-E3](#) [EADST040RA2](#) [1668](#) [HT-F196NB-5323](#) [IPD2131-27](#) [SA03-12EWA](#) [LDD-E2802RD](#) [LDD-E306MI](#) [LDQ-N514RI](#)  
[LDS-A3506RD](#) [LDS-A3926RI](#) [LDT-M516RI](#) [SC03-12HDB](#) [SI-B9T151550WW](#) [SI-B9V171550WW](#) [SLC-3PF-WL](#) [1624](#) [LTC-2621JD](#)  
[LTC-2623WC](#) [LTC-4624P](#) [LTC-4627JD](#) [LTD-2601E](#) [LTD-322G](#) [LTD-482PC](#) [LTP-1457AKR](#) [LTP-3784G-01](#) [LTS-313AP](#) [LTS-4812SKR-](#)  
[P](#) [LTS-547AE](#) [LTS-6780P](#) [446010401-3](#) [HV-7W30-6829](#) [CA12240\\_MINNIE-WWW-MTG-ASSY](#) [DA43-11GWA](#) [LDD-A516RI-17](#) [LDD-](#)  
[E305RI](#) [LDQ-M513RI](#) [LDQ-M5204RI-SI](#) [LDQ-N3402RI](#) [LDQ-N3606RI](#) [LDT-M2804RI](#)