

0.56 Inch Dual Digit SMD Display
OSK2056A-IX (Common Anode type)
OSK2056A-LX (Common Cathode type)

■ **Features**

- 0.56 Inch Two Digit Display
- Long lifetime operation
- IC compatible
- Low power dissipation
- Gray surface & white segment or dot
- RoHS compliant

■ **Applications**

- Counting device
- Clock

■ **Absolute Maximum Rating (Ta=25°C)**

Item	Symbol	Value		Unit
		W/B/TG	YG/Y/O/R/RA	
DC Forward Current	I _F	25	25	mA
Pulse Forward Current*	I _{FP}	80	80	mA
Reverse Voltage	V _R	5	5	V
Power Dissipation	P _t	90	65	mW
Operating Temperature	T _{opr}	-30~ +85		°C
Storage Temperature	T _{stg}	-40~ +100		°C
Lead Soldering Temperature(1.6mm Below body)	T _{sol}	260°C/3sec		°C

*Pulse width Max.10ms Duty ratio max 1/10

*Reflow time Max.3seconds

■ **Electrical -Optical Characteristics (Ta=25°C)**

Part Number	Color		V _F (V)			I _R (μA)	I _v (mcd)			λD(nm)		
			Min.	Typ.	Max.		Max.	Min.	Typ.	Max.	Min.	Typ.
			I _F =20mA			V _R =5V			I _F =10mA			I _F =20mA
OSK2056A-IW(LW)	White	W	-	3.1	3.6	100	30	65	100	6000K	8000K	10000K
OSK2056A-IB(LB)	Blue	B	-	3.1	3.6	100	8	16	25	460	465	475
OSK2056A-IG(LG)	True green	TG	-	3.1	3.6	100	10	24	35	510	520	530
OSK2056A-IYG(LYG)	Yellow green	YG	-	2.1	2.6	100	5	13	20	565	570	575
OSK2056A-IY(LY)	Yellow	Y	-	2.1	2.6	100	8	16	25	585	590	595
OSK2056A-IO(LO)	Orange	O	-	2.1	2.6	100	8	16	25	600	605	610
OSK2056A-IR(LR)	Red	R	-	2.1	2.6	100	5	13	25	625	630	640

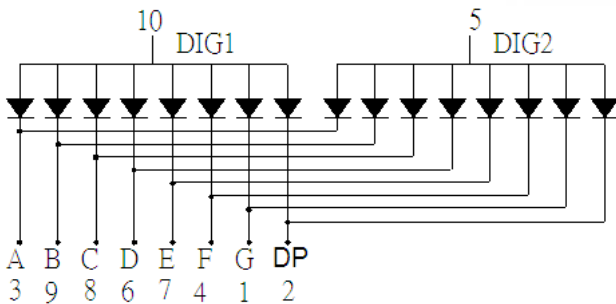
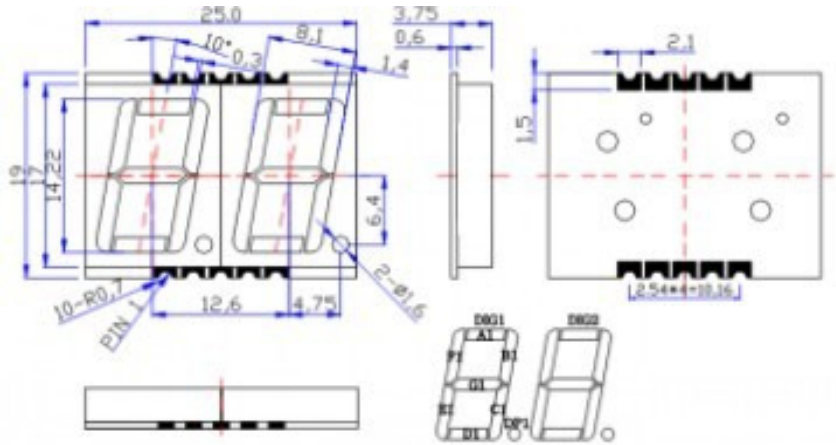
*1 Tolerance of dominant wavelength is ±1nm

*2 Tolerance of luminous intensity is ±15%

■ Package dimensions

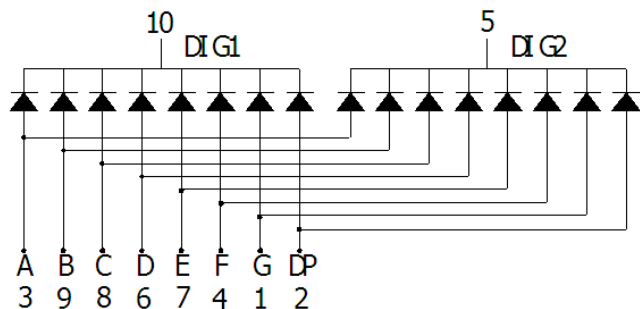
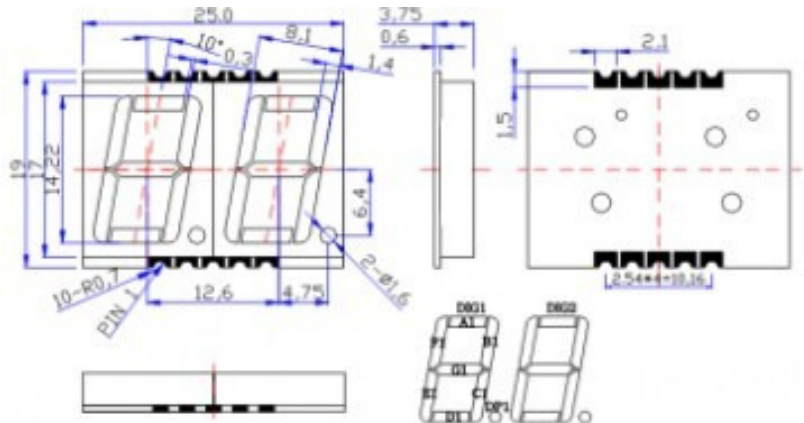
**OSK2056A-IX
(Common Anode type)**

Note:
1,Unit : mm(Tolerance:±0.25mm unless
otherwise noted)



**OSK2056A-LX
(Common Cathode type)**

Note:
1,Unit : mm(Tolerance:±0.25mm unless
otherwise noted)



X-ON Electronics

Largest Supplier of Electrical and Electronic Components

Click to view similar products for [LED Displays & Accessories](#) category:

Click to view products by [Optosupply](#) manufacturer:

Other Similar products are found below :

[LTC-2721WC](#) [LTC-4624JD](#) [LTC-4627G](#) [LTC-4627WC](#) [LTD-5021AWC](#) [LTM-8522G](#) [LTP-4323P](#) [LTP-747G](#) [LTS-3361JG-06](#)
[F416SYGWA/S530-E3](#) [EADST040RA2](#) [1668](#) [HT-F196NB-5323](#) [IPD2131-27](#) [SA03-12EWA](#) [LDD-E2802RD](#) [LDD-E306MI](#) [LDQ-N514RI](#)
[LDS-A3506RD](#) [LDS-A3926RI](#) [LDT-M516RI](#) [SC03-12HDB](#) [SI-B9T151550WW](#) [SI-B9V171550WW](#) [SLC-3PF-WL](#) [1624](#) [LTC-2621JD](#)
[LTC-2623WC](#) [LTC-4624P](#) [LTC-4627JD](#) [LTD-2601E](#) [LTD-322G](#) [LTD-482PC](#) [LTP-1457AKR](#) [LTP-3784G-01](#) [LTS-313AP](#) [LTS-4812SKR-](#)
[P](#) [LTS-547AE](#) [LTS-6780P](#) [446010401-3](#) [HV-7W30-6829](#) [CA12240_MINNIE-WWW-MTG-ASSY](#) [DA43-11GWA](#) [LDD-A516RI-17](#) [LDD-](#)
[E305RI](#) [LDQ-M513RI](#) [LDQ-M5204RI-SI](#) [LDQ-N3402RI](#) [LDQ-N3606RI](#) [LDT-M2804RI](#)