

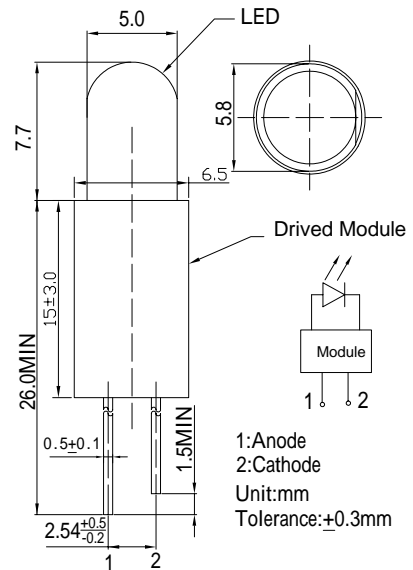
Features

- High Luminous LEDs
- 5mm Round Standard Directivity
- Superior Weather-resistance
- UV Resistant Epoxy
- Used 0.8~1.6V DC Drive (Such 1 piece AA or AAA Size Battery)
- Cost Effective (Saves Space and battery Cost)
- Water Clear Type

Applications

- Flashlight
- Other Lighting

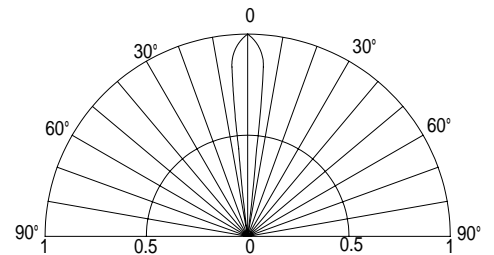
Outline Dimension



Absolute Maximum Rating (Ta=25)

Item	Symbol	Value	Unit
DC Forward Voltage	V_F	1.5	V
DC Forward Current (Input)	I_F	114	mA
Power Dissipation	P_D	171	mW
Operating Temperature	T_{opr}	-30 ~ +85	
Storage Temperature	T_{stg}	-30 ~ +85	
Lead Soldering Temperature	T_{sol}	260 /5sec	-

Directivity



Electrical -Optical Characteristics (Ta=25)

Part Number	Color		I_F (mA)			I_v (mcd)*			λD (nm)*			$2\theta_{1/2}$ (deg)
			Input	In LED		Min.	Typ.	Max.	Min.	Typ.	Max.	Typ.
				Min	Max.							
			$V_F = 1.2V$			$V_F = 1.2V$						
OSW4DK5111A-1V	Pure White	W	64 ± 10	16	22	20000	22000	-	X=0.31, Y=0.33			15
OSW5DK5111A-1V	Cool White	W	64 ± 10	16	22	22000	25000	-	X=0.27, Y=0.28			15
OSM5 DK5111A-1V	Warm White	M	64 ± 10	16	22	18000	20000	-	X=0.45, Y=0.41			15
OSB5SA5111A-1V	Blue	B	64 ± 10	16	22	7000	8400	-	465	470	475	15
OSG5DA5111A-1V	Pure Green	G	64 ± 10	16	22	22000	25000	-	520	525	530	15

*1 Tolerance of chromaticity coordinates is $\pm 10\%$

*2 Tolerance of luminous intensity is $\pm 15\%$

X-ON Electronics

Largest Supplier of Electrical and Electronic Components

Click to view similar products for [Standard LEDs - Through Hole category](#):

Click to view products by [Optosupply manufacturer](#):

Other Similar products are found below :

[LTL-10254W](#) [LTL-1214A](#) [LTL-1BEDJ](#) [LTL-2231AT](#) [LTL-3251A](#) [LTL-4262N](#) [LTL-5234](#) [LTL87HTBK](#) [LTD-87HD4B](#) [7383/V7C3-BSTA-L/PR3/MS](#) [G22041431007J2C000](#) [HLMP-AG64-X10ZZ](#) [HLMP-EG1A-Z10DV](#) [HLMP-EL3B-WXKDD](#) [HLMP-HB74-UVBDD](#) [HLMP-HG65-VY0DD](#) [HLMP-HM74-34CDD](#) [HLMP-HM75-34CDD](#) [1L0532V23G0TD001](#) [NSPW500CS](#) [C4SMA-BGF-CQ34Q3C2](#) [L53GC13](#) [264-7SURTS530-A3](#) [L-C150JRCT](#) [S4SMS-BJF-CQ42QGF2](#) [S4SMS-GJF-CW12QMF2](#) [LD CQDP-1U3U-W5-1-K](#) [LNX998CKBDA](#) [LO566UHR3-70G-A3](#) [SLA560WBD2PT3](#) [LP379PPG1C0G0300001](#) [SLR-322MCT32](#) [SLR-342DUT32](#) [SLR-342MC3F](#) [SLR343BC7TT32](#) [SLR343BCTT32](#) [SLX-LX3044GD](#) [SLX-LX3044ID](#) [SLX-LX3044YD](#) [SNW-LX504SRC/4](#) [1.90690.3330000](#) [SSL-LX20483ID](#) [SSL-LX3034YD](#) [SSL-LX5093LGT-11](#) [SSL-LX5093PGC](#) [SSL-LX5093SRC/F](#) [SSL-LX5093SYT](#) [SSL-LX5099SRSGC-CA](#) [SSL-LX509E3SIT](#) [SSL-LX509FT3ID](#)