

Model No.	OST08WG01GD- XXXXT8C1A
REV.	C1

T08 Concave AUTO LED

Descriptions:

- Green light source, fast response
- Long life, easy installation
- Voltages available 12VDC
- LED model number: XXXXT8C1A

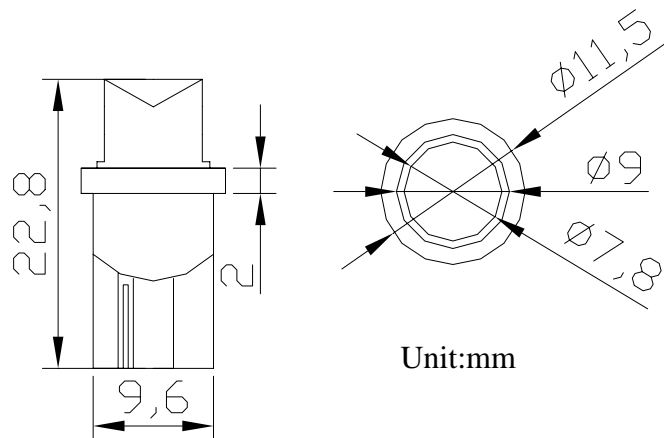
Features:

- Available in red, yellow, green, blue, white
- High temperature and environmental protection PA material for lamp holder
- Low power consumption
- Energy saving
- Eye protection, no stroboflash, no radiation
- Long life

Application:

- Dashboard Light
- Width-indicator Lamp
- Signal Light

Product Picture and Dimensions:





Model No.	OST08WG01GD-XXXXT8C1A
REV.	C1

Device Selection Guide

Module No.	Color	Wavelength (Typ.)	Intensity / Per LED (Typ.)	Overall luminous flux
R5RUT8C1A	Red	625 nm	130mcd	1.0lm
G5DUT8C1A	Green	525 nm	380mcd	3.5lm
B5YUT8C1A	Blue	470 nm	90mcd	0.6lm
Y5RUT8C1A	Yellow	590 nm	100mcd	1.0lm
W5YKT8C1A	White	X=0.27,Y=0.28	210mcd	3.0lm

Absolute Maximum Ratings(Ta=25)

Items	Symbol	Values	Units
Operating supply range(DC)	V _{idc}	16	V
Input Current (DC)	I _i	30	mA
Power Dissipation	P _a	0.48	W
Operating Temperature	T _{ope}	-10 ~ +40	DegC
Storage Temperature	T _{stg}	-20 ~ +80	DegC

Typical Performance (Ta=25)

Items	Symbol	Min.	Typ.	Max.	Units
LED Module Power	P _m	-	0.24	0.48	w
Input Voltage(DC)	V _i	-	12	16	V
Product input Current	I _f	-	20	30	mA
Beam Pattern	BP	-	120	-	Deg
Total diameter of PCB	L _{mod.}	-	22.8	-	mm
Net Weight	Wei.	---	1.0	---	g

X-ON Electronics

Largest Supplier of Electrical and Electronic Components

Click to view similar products for [LED Panel Mount Indicators](#) category:

Click to view products by [Optosupply](#) manufacturer:

Other Similar products are found below :

[607-1312-310F](#) [607-3232-140F](#) [6091M1-24V](#) [6091M5-24V](#) [6091M7-24V](#) [821-0331-503](#) [FL2870C8R](#) [FL2950WL7B](#) [FL589WL8R](#)
[Q6P3BXXB12E](#) [H8630FBBA3](#) [MPC5ADW6.0](#) [DX1091GN](#) [NL177WL3G](#) [NL276C3G](#) [NL2950BWL3G](#) [NL2950CWL2R](#) [NL589WL2R](#)
[NL67C3G](#) [NL67C3R](#) [2191L1-12V](#) [PB22SIOL0RG](#) [PB22SPPM41R](#) [PB22SPPM61R](#) [LE177C5B](#) [LH1048BSWL3702](#) [LH1048BWL3702](#)
[LH382A](#) [LHM62B](#) [SSI-LXH387USBD-150](#) [SSI-LXH9ZIC40587](#) [SSP-LXS110818BA](#) [FL2950BWL7R](#) [FL2950WL7R](#) [FL2951WL8G](#)
[FL2951WL8R](#) [FL589C7R](#) [FL67C7R](#) [FL67WL8G](#) [2191QU7-24V](#) [2191U1-12V](#) [2191U5-12V](#) [2191U5-6V](#) [2191U7-12V](#) [249-4167-3734-504F](#) [Q6P5BXXG02E](#) [3990A7](#) [5110F3-12V](#) [MPC5BCW18.0](#) [556-1237-801F](#)