

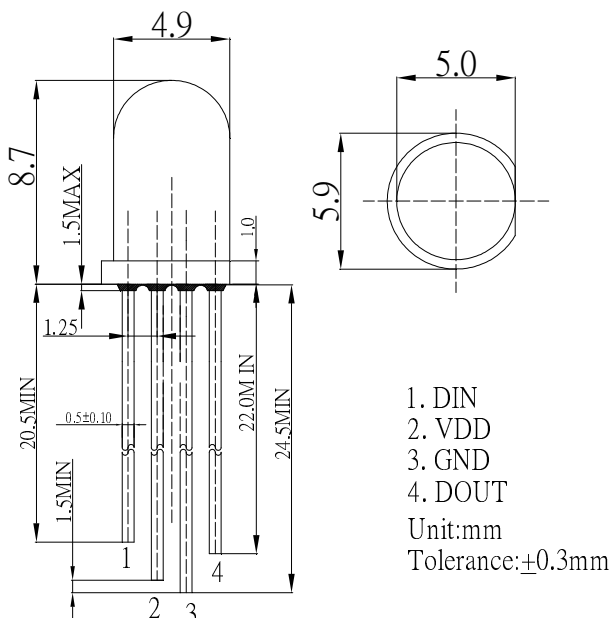
■ **Features**

- High Luminous LEDs
- 5mm Round Standard Directivity
- IC Use CMOS technology
- Adjust grayscale circuit (can adjust 256 grayscale level)
- Series interface, cascade interface
- Built-in power on reset circuit
- Completely receive and decode data through a single wire.
- Directly connect to electronic power without transformer
- White diffused Type

■ **Applications**

- Toys
- Christmas lamp

■ **Outline Dimension**

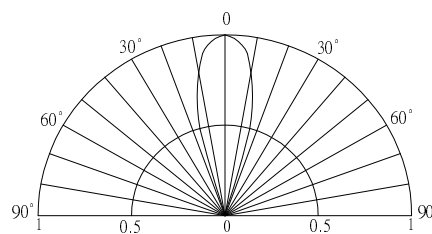


■ **Absolute Maximum Rating**

(Ta=25°C)

Item	Symbol	Value	Unit
Power Supply	VDD	6	V
Operating Temperature	Topr	-30 ~ +85	°C
Storage Temperature	Tstg	-40~ +100	°C
Lead Soldering Temperature	Tsol	260°C /5sec	-

■ **Directivity**



■ **Electrical -Optical Characteristics (Ta=25°C VSS=0V)**

Item	Symbol	Min.	Typ.	Max.	Unit
Supply voltage	VDD	3.5	-	6.0	V
Withstand voltage of output terminal	DOUT	-	-	6.0	V
LED Current	If(R/G/B)	-	15	-	mA
Data input	DIN	-	-	10	V
Dominant Wavelength*	Red	620	625	630	nm
	Green	520	525	530	
	Blue	465	470	475	
Luminous intensity*	Red	350	450	-	mcd
	Green	500	600	-	
	Blue	150	200	-	
50% Power Angle	2θ1/2	-	30	-	deg

■ **Pin Definition**

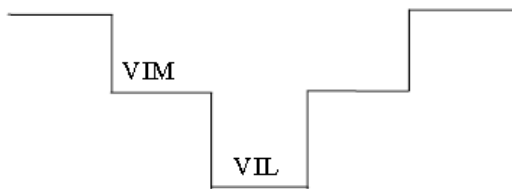
Symbol	Pin Name	Description
DIN	Data input	Control data input
DO	Data output	Control data output
VDD	Logic power	Internal power of chip
GND	Logic ground	Internal ground of chip

*1 Tolerance of dominant wavelength is ±1nm

*2 Tolerance of luminous intensity is ±15%

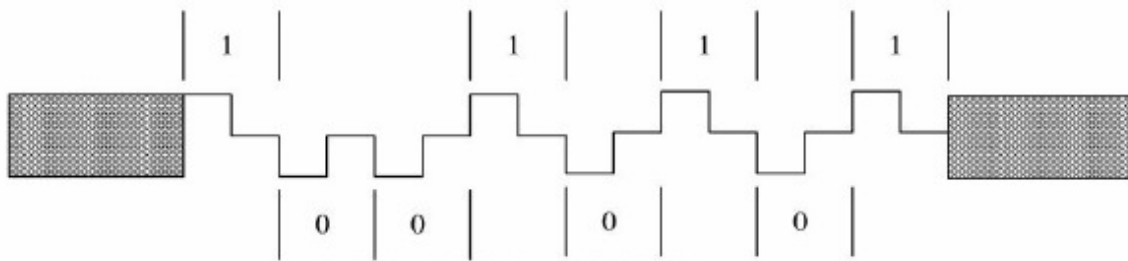
Item	Symbol	Min.	Typ.	Max.	Unit
Supply voltage	VDD	3.5	-	6.0	V
High Level and middle level differential pressure	VI1	-	0.5*VDD	-	V
Middle level and low level differential pressure	VI2	-	0.5*VDD	-	V

■ **DIN input, PIN wave as bellow.**



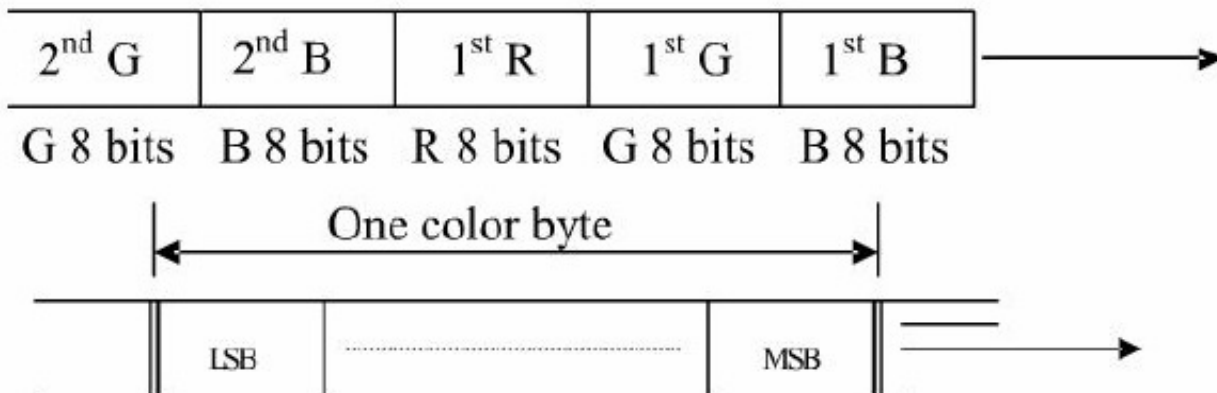
■ **Data information format**

1. Data format

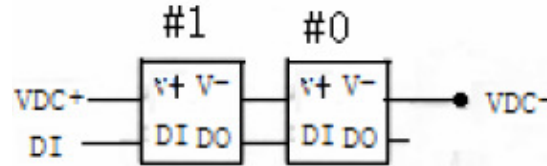
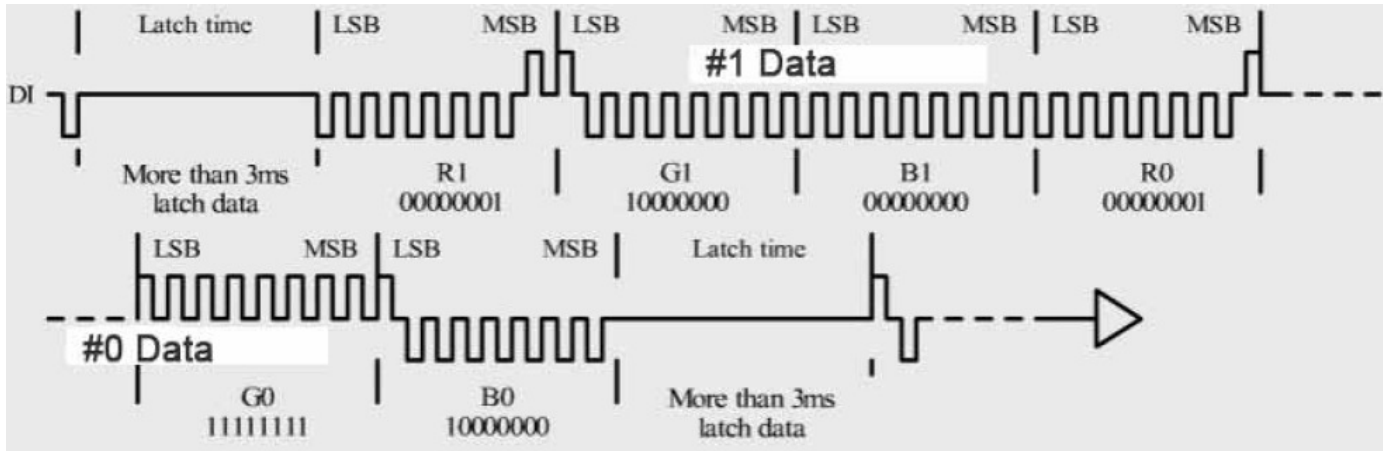


Transmit data is "100101101"

2. The minimum data unit definition

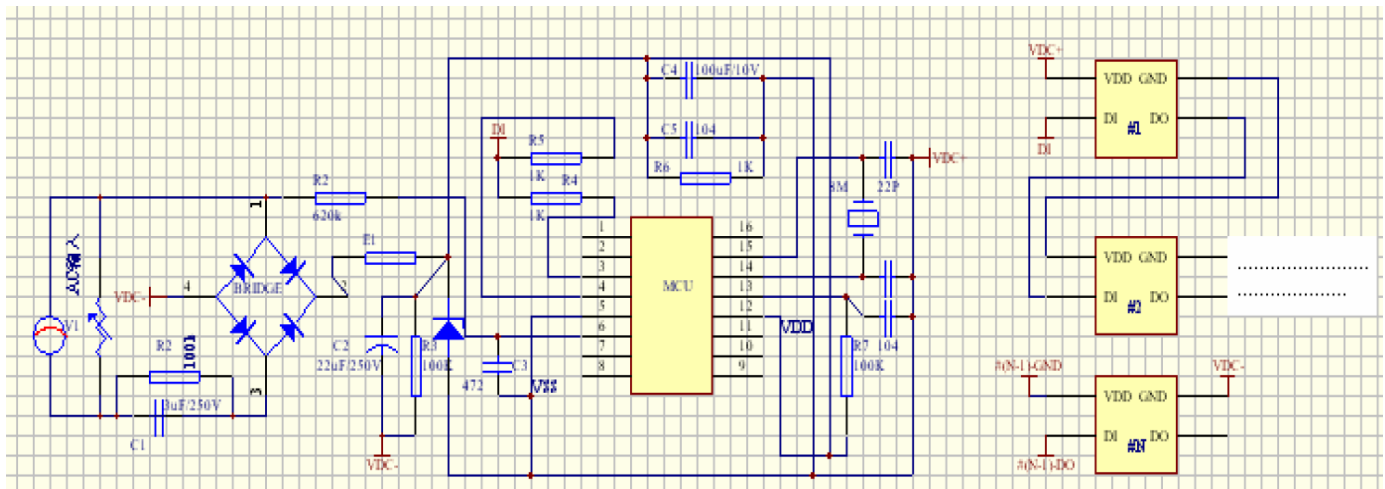


3. For example: 2 IC cascade



■ Application circuit

1. Connect to 220V electronic supply, suggest to use 48PCS LED in series
2. Connect to 110V electronic supply, suggest to use 24PCS LED in series



X-ON Electronics

Largest Supplier of Electrical and Electronic Components

Click to view similar products for [Standard LEDs - Through Hole category:](#)

Click to view products by [Optosupply manufacturer:](#)

Other Similar products are found below :

[LTL-10254W](#) [LTL-1214A](#) [LTL-1BEDJ](#) [LTL-2231AT](#) [LTL-3251A](#) [LTL-4262N](#) [LTL-5234](#) [LTL87HTBK](#) [LTD-87HD4B](#) [7383/V7C3-BSTA-L/PR3/MS](#) [G22041431007J2C000](#) [HLMP-AG64-X10ZZ](#) [HLMP-EG1A-Z10DV](#) [HLMP-EL3B-WXKDD](#) [HLMP-HB74-UVBDD](#) [HLMP-HG65-VY0DD](#) [HLMP-HM74-34CDD](#) [HLMP-HM75-34CDD](#) [1L0532V23G0TD001](#) [NSPW500CS](#) [C4SMA-BGF-CQ34Q3C2](#) [L53GC13](#) [264-7SURTS530-A3](#) [L-C150JRCT](#) [S4SMS-BJF-CQ42QGF2](#) [S4SMS-GJF-CW12QMF2](#) [LD CQDP-1U3U-W5-1-K](#) [LNX998CKBDA](#) [LO566UHR3-70G-A3](#) [SLA560WBD2PT3](#) [LP379PPG1C0G0300001](#) [SLR-322MCT32](#) [SLR-342DUT32](#) [SLR-342MC3F](#) [SLR343BC7TT32](#) [SLR343BCTT32](#) [SLX-LX3044GD](#) [SLX-LX3044ID](#) [SLX-LX3044YD](#) [SNW-LX504SRC/4](#) [1.90690.3330000](#) [SSL-LX20483ID](#) [SSL-LX3034YD](#) [SSL-LX5093LGT-11](#) [SSL-LX5093PGC](#) [SSL-LX5093SRC/F](#) [SSL-LX5093SYT](#) [SSL-LX5099SRSGC-CA](#) [SSL-LX509E3SIT](#) [SSL-LX509FT3ID](#)