

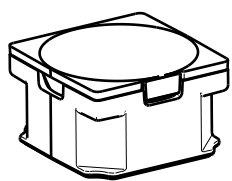
DETAILS

Product Number	CA11525_LAURA-R-W
Family	Laura
Type	RefAssy
Color	black
Diameter	21.6 x 21.6 mm
Height	13.1 mm
Style	square
Optic Material	PC
Holder Material	PC
Fastening	tape
Status	ready
ROHS Compliant	Yes
Date Updated	25/04/2014

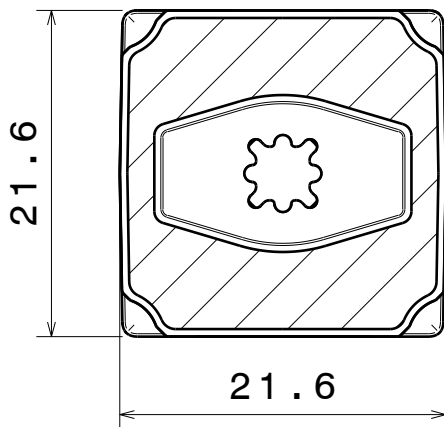


OPTICAL PROPERTIES

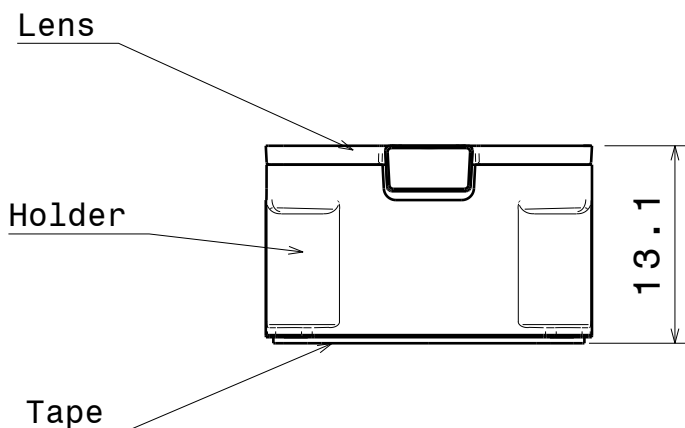
LED	Viewing Angle	Light Beam	Efficiency	cd/lm	Connector
XP-E	71 deg	Wide	70 %	0.520	-
XP-G	71 deg	Wide	70 %	sim: 0.000	-
Z5	71 deg	Wide	-	sim: 0.000	-



Isometric view
Scale: 1:1



Bottom view



Front view

Materials
lens: PMMA
holder: PC, black
Tape: PU Foam

This drawing is our property.
It can't be reproduced
or communicated without
our written agreement.



L
T
F
F

e
e
i
i
N
n

d

DRAWING TITLE

Datasheet Laura-tape series assy

DRAWN BY p	DATE 11.06.2010
CHECKED BY h	DATE 25.01.2010
DESIGNED BY hh	DATE 21.01.2010

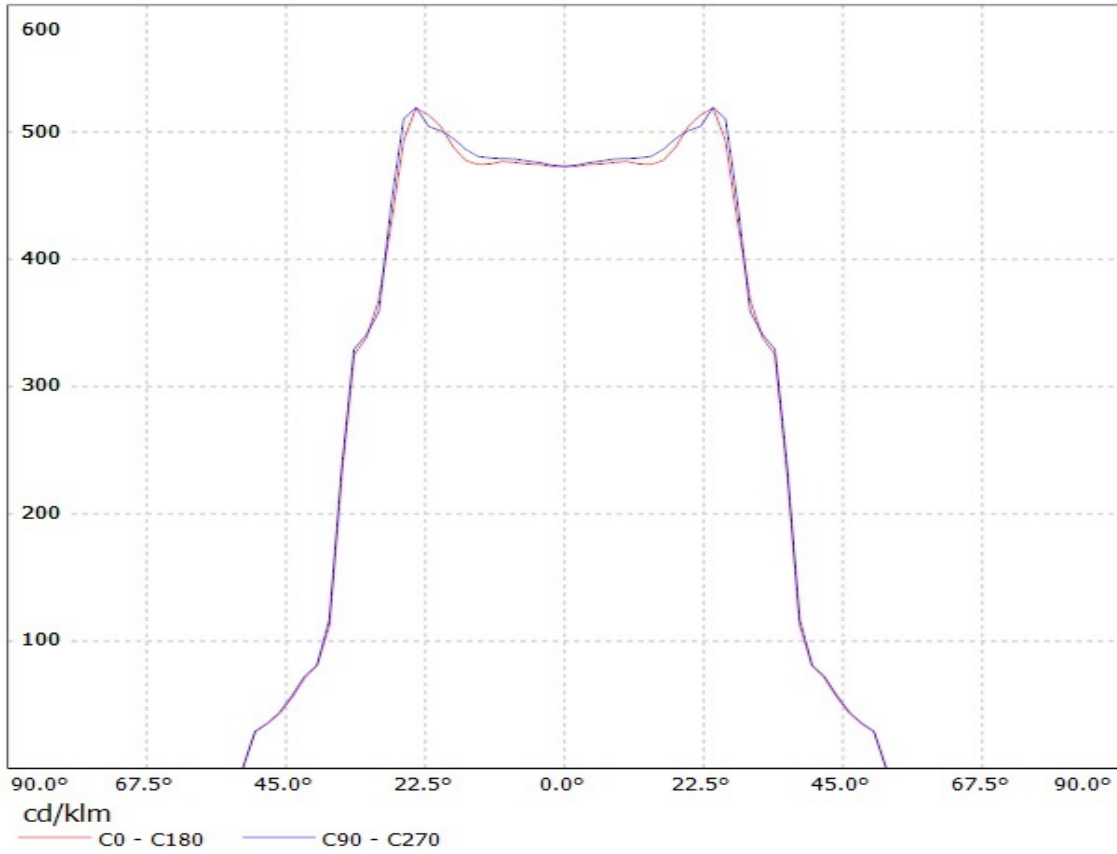
SIZE A4	DRAWING NUMBER CA11353	REV 1
SCALE 2:1	WEIGHT (g)	SHEET 1/1

D

A

Ledil Oy CA11525_Laura-Refl-W-XP-tape CA11525_Laura-Refl-W-XP-tape / LDC (Linear)

Luminaire: Ledil Oy CA11525_Laura-Refl-W-XP-tape CA11525_Laura-Refl-W-XP-tape
Lamps: 1 x Cree XP-E white

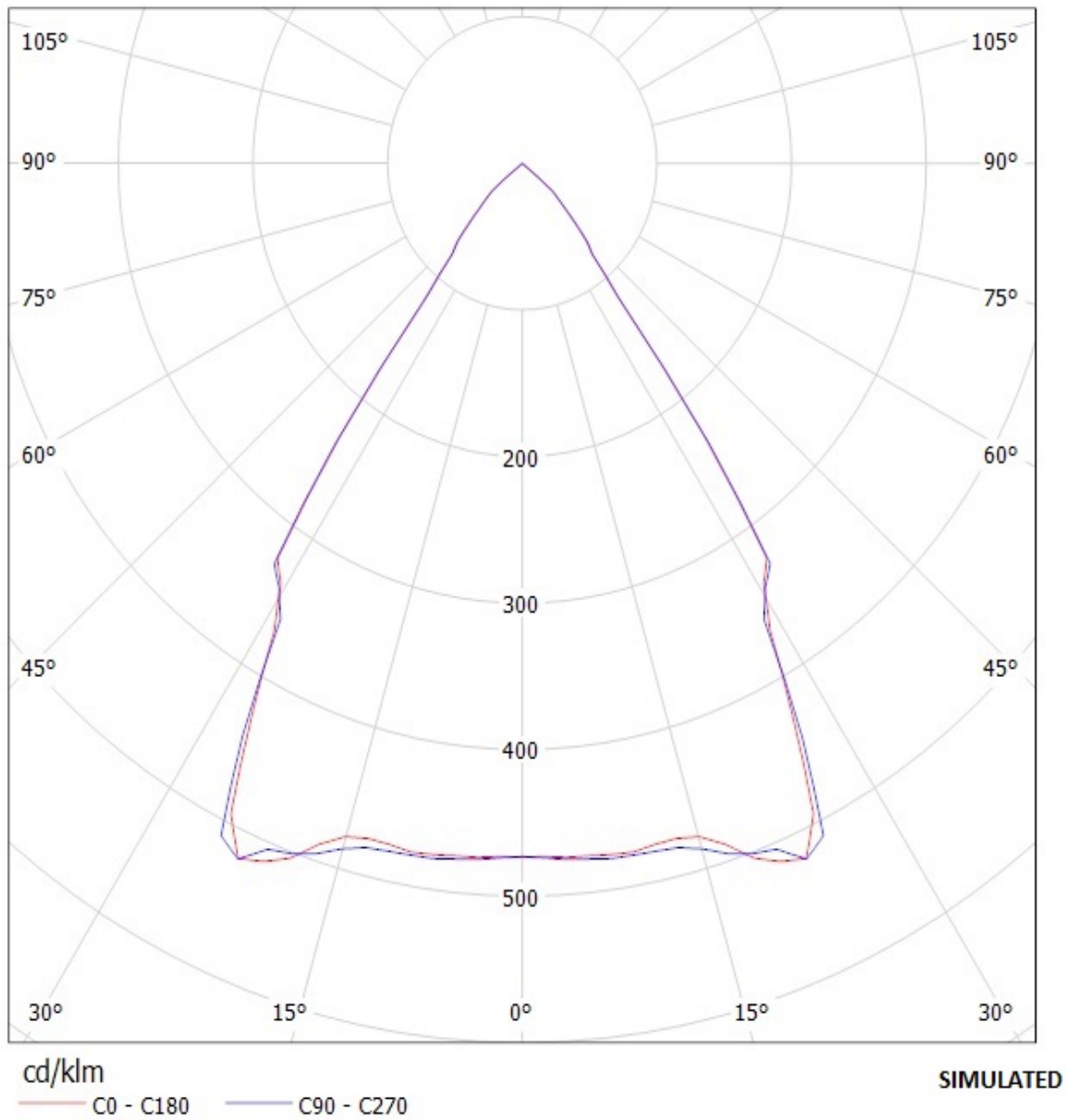


SIMULATED

Ledil Oy CA11525_Laura-Refl-W-XP-tape CA11525_Laura-Refl-W-XP-tape / LDC (Polar)

Luminaire: Ledil Oy CA11525_Laura-Refl-W-XP-tape CA11525_Laura-Refl-W-XP-tape

Lamps: 1 x Cree XP-E white



NOTE: The typical divergence will be changed by different color, chip size and chip position tolerance. The typical total divergence is the full angle measured where the luminous intensity is half of the peak value.

GENERAL INFORMATION

- Product series especially designed & optimized for series of LEDs.
- Special care taken to make light distribution as uniform as possible.
- Reflector is made of aluminium coated PC (120 degrees of Celcius / 248 degrees of Fahrenheit) with protective lacquer (short term 100 degrees of Celcius / 212 degrees of Fahrenheit).
- Fastening to heat sink with a PU foam adhesive tape of automotive grade. Please find fastening details by clicking link: http://www.ledil.com/datasheets/DataSheet_TAPE.pdf

NOTE 1: We advise customer to ensure the suitability and sufficiency of the bond in the end product. For example, mechanical stress, vibration and holes on the surface of the circuit board weaken the strength of the tape.

NOTE 2: Assembly to the surface must be made straight, so the tape bonds constant and balanced with fastening surface. Slanted assembly might cause unbalanced bond to the surface. All surfaces where tape is applied must be clean, dry and free from grease and dirt.

If cleaning of PCB surfaces is needed, please follow strictly the cleaning instructions of your LED manufacturer - this is important as cleaning shall under no circumstances damage LEDs or other electronics components on the PCB.

Further note that optical components shall not be cleaned with any chemicals - only micro fiber cloth may be used to remove fingerprints or other traces from handling.

X-ON Electronics

Largest Supplier of Electrical and Electronic Components

Click to view similar products for [LED Lighting Lenses](#) category:

Click to view products by [Ledil](#) manufacturer:

Other Similar products are found below :

[LL01ED-AK40L06](#) [LL01ZZ-EX25L06-M2](#) [180182-0000](#) [FNP-N2-N083-0R NRW](#) [LL01ED-ALI55R49](#) [0190535300](#) [0410111300](#)
[0510113303](#) [0530997](#) [2710121](#) [C11004_TINA2-RS](#) [C12231_LENA-FRESNEL-LENS](#) [LL01ED-AKY24R49](#) [LL01CR-AYG15R49](#)
[LL01CR-OT32L06-M2](#) [LL01ZZ-AAA24L49](#) [LL01CR-CEN38L02](#) [LL01ZZ-AAA55L49](#) [LL01CR-AYG24R49](#) [LL01A00CZMB2-M2](#)
[LL01ED-AKY38R49](#) [LL01CR-CNE2545L06-M2](#) [LL01ZZ-AAA38L49](#) [LL01ED-AKV36R49](#) [LL01ED-ALI24R49](#) [LL01CR-AYG38R49](#)
[FN15973_RONDA-REC-60-C](#) [F16859_LINDA-ZT25](#) [C14169_LENA-CLEAR-LENS](#) [C16125_OLGA-W](#) [C17410_SPORT-2X2-FT6](#)
[C17414_SPORT-2X2-S6](#) [C17409_SPORT-2X2-FT6W](#) [C17360_SPORT-2X2-FT60](#) [C17434_ILONA-WW](#) [F16636_LINDA-W60](#) [10003](#)
[10003/15](#) [10048](#) [10049](#) [10108](#) [CP10960_RGBX-SS](#) [CP12395_LXP3-W](#) [10415](#) [10510](#) [1-1000288-0](#) [F14487_FLORENCE-1R-MAXI-WG](#)
[12667](#) [C14165_STRADA-2X2-ME-WIDE2](#) [C14605_HB-2X2-RW](#)