



<b>Ordering number</b>	<b>CA12164</b>		
<b>Description</b>	<b>CA12164_Lena-M_BXRA</b>		
Family	Lena	FWHM	19 degrees
Type	Reflector	Efficiency	-
LED	BXRA-C0800/1200/2000	cd/lm	-
Color	Metal	Gerber File	Available
Diameter	111 mm		
Height	86.2 mm		
Style	Round		
Optic Material	PC		
Holder Material	PC		
Fastening	Screw		
Status	Ready		

<b>Ordering number</b>	<b>CA12157</b>		
<b>Description</b>	<b>CA12157_Lena-S_BXRA</b>		
Family	Lena	FWHM	10 degrees
Type	Reflector	Efficiency	-
LED	BXRA-C0800/1200/2000	cd/lm	-
Color	Metal	Gerber File	Available
Diameter	111 mm		
Height	86.2 mm		
Style	Round		
Optic Material	PC		
Holder Material	PC		
Fastening	Screw		
Status	Ready		

<b>Ordering number</b>	<b>CA12159</b>		
<b>Description</b>	<b>CA12159_Lena-S-Diffuser-Lens_BXRA</b>		
Family	Lena	FWHM	11 degrees
Type	Reflector	Efficiency	-
LED	BXRA-C0800/1200/2000	cd/lm	-
Color	Metal	Gerber File	Available
Diameter	111 mm		
Height	87.8 mm		
Style	Round		
Optic Material	PC		
Holder Material	PC		
Fastening	Screw		
Status	Ready		

<b>Ordering number</b>	<b>CA12168</b>		
<b>Description</b>	<b>CA12168_Lena-M-Diffuser-Lens_BXRA</b>		
Family	Lena	FWHM	20 degrees
Type	Reflector	Efficiency	-
LED	BXRA-C0800/1200/2000	cd/lm	-
Color	Metal	Gerber File	Available
Diameter	111 mm		
Height	87.8 mm		
Style	Round		
Optic Material	PC		
Holder Material	PC		
Fastening	Screw		
Status	Ready		



# PRODUCT DATASHEET

## Lena-BXRA-ES series



<b>Ordering number</b>	<b>CA12158</b>		
<b>Description</b>	<b>CA12158_Lena-W_BXRA</b>		
Family	Lena	FWHM	44 degrees
Type	Reflector	Efficiency	-
LED	BXRA-C0800/1200/2000	cd/lm	-
Color	Metal	Gerber File	Available
Diameter	111 mm		
Height	86.2 mm		
Style	Round		
Optic Material	PC		
Holder Material	PC		
Fastening	Screw		
Status	Ready		

<b>Ordering number</b>	<b>CA12160</b>		
<b>Description</b>	<b>CA12160_Lena-W-Diffuser-Lens_BXRA</b>		
Family	Lena	FWHM	46 degrees
Type	Reflector	Efficiency	-
LED	BXRA-C0800/1200/2000	cd/lm	-
Color	Metal	Gerber File	Available
Diameter	111 mm		
Height	87.8 mm		
Style	Round		
Optic Material	PC		
Holder Material	PC		
Fastening	Screw		
Status	Ready		

**NOTE: The typical divergence will be changed by different color, chip size and chip position tolerance. The typical total divergence is the full angle measured where the luminous intensity is half of the peak value.**



## PRODUCT DATASHEET Lena-BXRA-ES series



### GENERAL INFORMATION

- Product series especially designed & optimized for BXRA-C0800/1200/2000 series of LEDs.
- Special care taken to make light distribution as uniform as possible.
- Lens material optical grade PC with high UV and temperature resistance (120 degrees of Celcius / 248 degrees of Fahrenheit). Allows use of high current and temperature conditions.

Please find more information about used materials from below:

[http://ledil.fi/sites/default/files/Documents/Technical/Material/PC%20Makrolon%202400\\_2407\\_2456\\_2458-UL.pdf](http://ledil.fi/sites/default/files/Documents/Technical/Material/PC%20Makrolon%202400_2407_2456_2458-UL.pdf)

- Reflector is made of aluminium coated PC (120 degrees of Celcius / 248 degrees of Fahrenheit) with protective lacquer (110 degrees of Celcius / 230 degrees of Fahrenheit).
- Optic holder molded by high quality PC material (120 dergees of Celcius / 248 degrees of Fahrenheit).

D

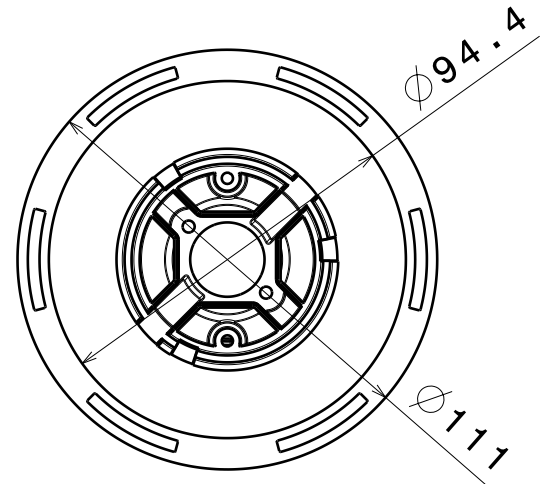
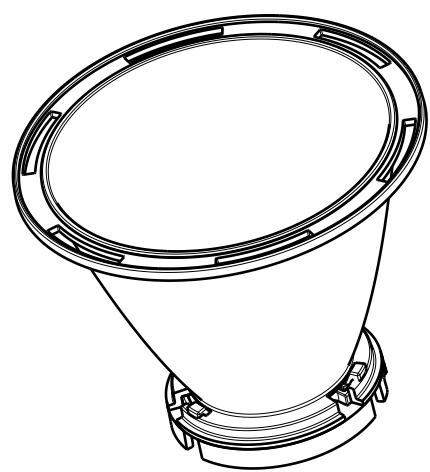
C

B

A

4

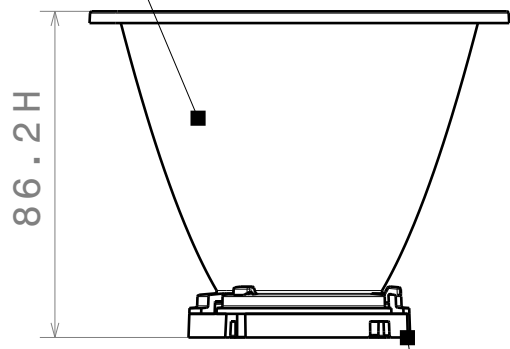
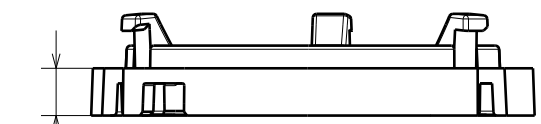
4



Reflector material PC  
Metal plated with clear lacquer

3

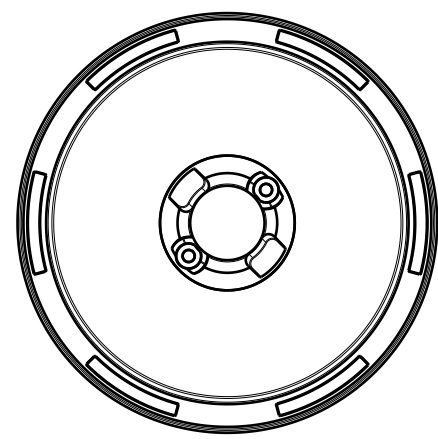
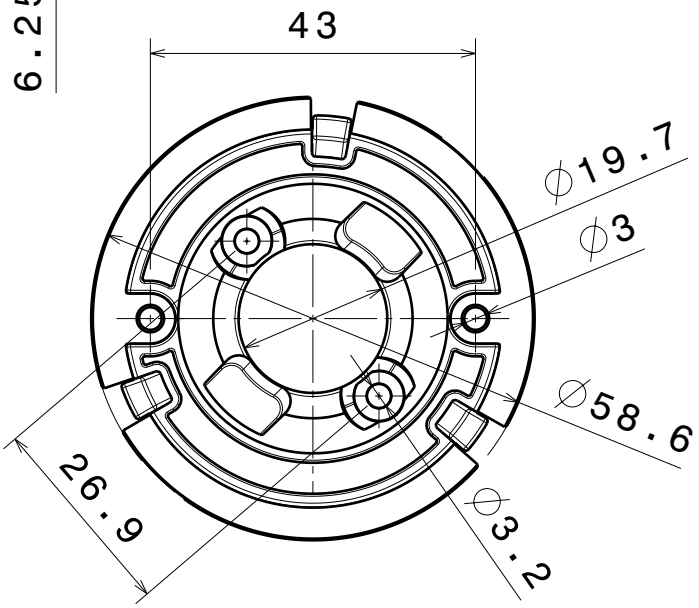
3



Base material PC, white

2

2



NOTE: using optional sublens, add 1.6mm to dimension H.

This drawing is our property. It can't be reproduced or communicated without our written agreement.



Ledil Oy  
Salorankatu 10  
FIN-24240 SALO  
Finland

DRAWING TITLE

Datasheet Lena-BXRA-assembly

DRAWN BY  
pl  
DATE  
13.07.2011

CHECKED BY  
pl  
DATE  
26.04.2011

DESIGNED BY  
pl  
DATE  
01.04.2011

SIZE A4 DRAWING NUMBER -- REV 1

SCALE 1:2 WEIGHT (g) SHEET 1/1

D

A

1

1

## X-ON Electronics

Largest Supplier of Electrical and Electronic Components

*Click to view similar products for [Complete Assemblies for Panel Mount Indicator Lamps](#) category:*

*Click to view products by [Ledil](#) manufacturer:*

Other Similar products are found below :

[177-8430-0932-503](#) [250-7558-3331-504](#) [177-8430-0931-503](#) [249-7841-0937-574](#) [270-1930-0272-702](#) [367-8430-0933-503](#) [367-8430-0931-503](#) [367-8430-0973-503](#) [450-01RB](#) [803-1710-0333-805](#) [39-1752-24](#) [50-2101CR](#) [39-5644-05](#) [50-682SF](#) [803-1710-0333-504](#) [19-3206-05-303](#) [50-2100LN](#) [249-7841-1433-574](#) [LC12CN2](#) [50-2100MR](#) [1132937200](#) [13788360931552](#) [095042809201](#) [13788360937552](#) [0510111303](#) [0510135203](#) [24978661435514](#) [27018300171702](#) [27019300111702](#) [27018300111702](#) [27019303111702](#) [80317100337504](#) [80417100333504](#) [80317100332804](#) [930404X724WN](#) [047-0901-2900-201](#) [051-3502-0137-203](#) [103-3527-05-103](#) [249-7841-0933-544](#) [249-7841-0933-574](#) [249-7841-0935-574](#) [249-7841-1433-544](#) [249-7841-1435-574](#) [249-7841-1436-574](#) [249-7841-1437-544](#) [249-7841-1437-574](#) [249-7866-0331-514](#) [249-7866-0931-514](#) [249-7866-1433-514](#) [249-7866-1437-514](#)