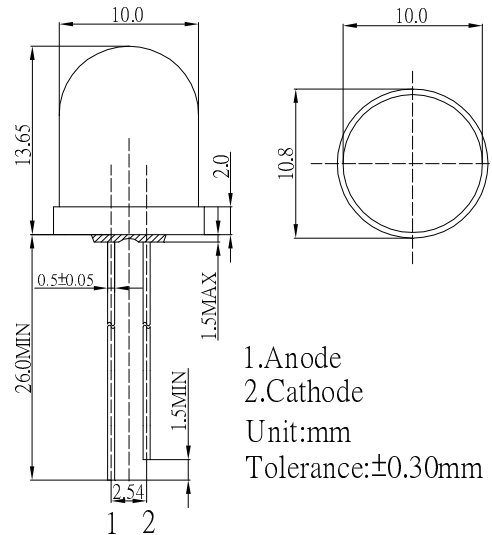


■Features

- High Luminous LEDs
- 5mm Standard Directivity
- Superior Weather-resistance
- UV Resistant Epoxy
- Low Decay & Long Lifetime Operation
- White Diffused Type

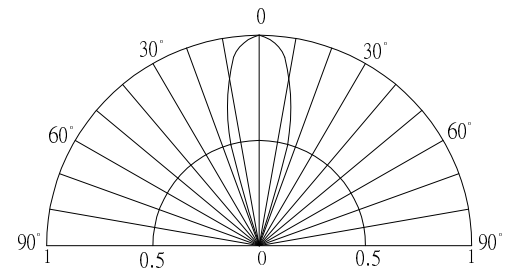
■Applications

- Electronic Signs And Signals
- Small Area Illuminations
- Back Lighting

■Outline Dimension

■Absolute Maximum Rating
(Ta=25°C)

| Item | Symbol | Value | Unit |
|----------------------------|-----------|------------|------|
| DC Forward Current | I_F | 30 | mA |
| Pulse Forward Current* | I_{FP} | 100 | mA |
| Reverse Voltage | V_R | 5 | V |
| Power Dissipation | P_D | 108 | mW |
| Operating Temperature | T_{opr} | -30 ~ +85 | °C |
| Storage Temperature | T_{stg} | -40 ~ +100 | °C |
| Lead Soldering Temperature | T_{sol} | 260°C/5sec | - |

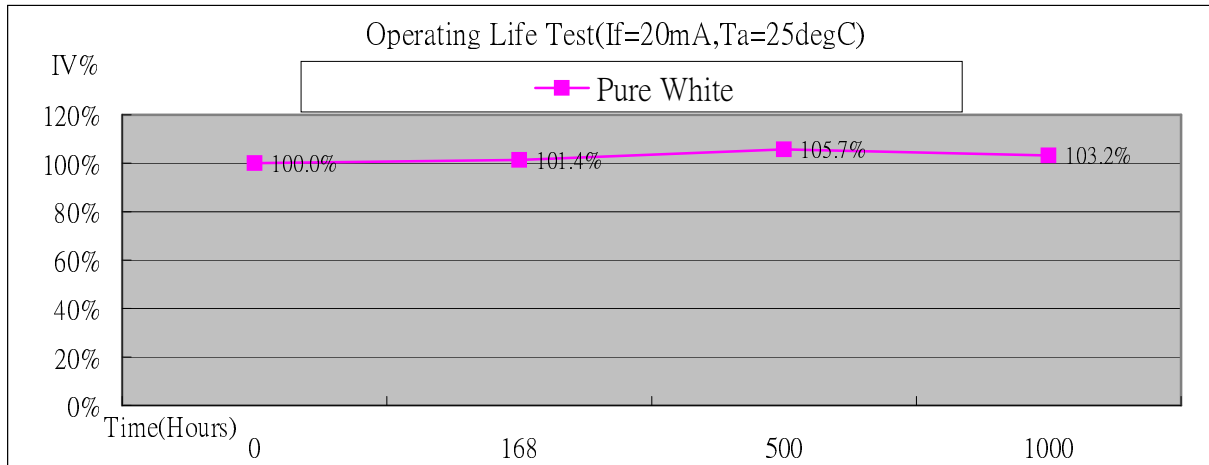
*Pulse width Max.10ms Duty ratio max 1/10

■Directivity

■Electrical -Optical Characteristics
(Ta=25°C)

| Item | Symbol | Condition | Min. | Typ. | Max. | Unit |
|--------------------------|-----------------|------------|------|------|-------|---------|
| DC Forward Voltage | V_F | $I_F=20mA$ | 2.8 | 3.1 | 3.6 | V |
| DC Reverse Current | I_R | $V_R=5V$ | - | - | 10 | μA |
| Luminous Intensity | I_v | $I_F=20mA$ | 7000 | 8400 | 10000 | mcd |
| Chromaticity Coordinate* | x | $I_F=20mA$ | 0.24 | 0.27 | 0.32 | |
| | y | $I_F=20mA$ | 0.25 | 0.28 | 0.33 | |
| 50% Power Angle | $2\theta_{1/2}$ | $I_F=20mA$ | - | 30 | - | deg |

*Please refer to CIE 1931 chromaticity diagram.

OPERATION LIFE TEST LUMINANCE RATE CURVE



*Burn-in condition: 20mA

*Projection of Statistical Average Light Output Degradation Performance for LED Technology
Extrapolated from OptoSupply QA Dept. Test Data.

*According to OptoSupply outgoing Packaged Products Specification

*MTBF:100,000hrs, 90% Confidence (A Failure is Any LED Which is Open, shorted or fails to Emit Light)

*The Projected Data is Base on The Feature of LED Itself Under Normal Operation Conditions.

*Any Improper Circuit Design or External Factors Might Cause a Different Result.

X-ON Electronics

Largest Supplier of Electrical and Electronic Components

Click to view similar products for [Standard LEDs - Through Hole category:](#)

Click to view products by [Optosupply manufacturer:](#)

Other Similar products are found below :

[LTL-10254W](#) [LTL-1214A](#) [LTL-1BEDJ](#) [LTL-2231AT](#) [LTL-3251A](#) [LTL-4262N](#) [LTL-5234](#) [LTL87HTBK](#) [LTD-87HD4B](#) [7383/V7C3-BSTA-L/PR3/MS](#) [G22041431007J2C000](#) [HLMP-AG64-X10ZZ](#) [HLMP-EG1A-Z10DV](#) [HLMP-EL3B-WXKDD](#) [HLMP-HB74-UVBDD](#) [HLMP-HG65-VY0DD](#) [HLMP-HM74-34CDD](#) [HLMP-HM75-34CDD](#) [1L0532V23G0TD001](#) [NSPW500CS](#) [C4SMA-BGF-CQ34Q3C2](#) [L53GC13](#) [264-7SURTS530-A3](#) [L-C150JRCT](#) [S4SMS-BJF-CQ42QGF2](#) [S4SMS-GJF-CW12QMF2](#) [LD CQDP-1U3U-W5-1-K](#) [LNX998CKBDA](#) [LO566UHR3-70G-A3](#) [SLA560WBD2PT3](#) [LP379PPG1C0G0300001](#) [SLR-322MCT32](#) [SLR-342DUT32](#) [SLR-342MC3F](#) [SLR343BC7TT32](#) [SLR343BCTT32](#) [SLX-LX3044GD](#) [SLX-LX3044ID](#) [SLX-LX3044YD](#) [SNW-LX504SRC/4](#) [1.90690.3330000](#) [SSL-LX20483ID](#) [SSL-LX3034YD](#) [SSL-LX5093LGT-11](#) [SSL-LX5093PGC](#) [SSL-LX5093SRC/F](#) [SSL-LX5093SYT](#) [SSL-LX5099SRSGC-CA](#) [SSL-LX509E3SIT](#) [SSL-LX509FT3ID](#)