

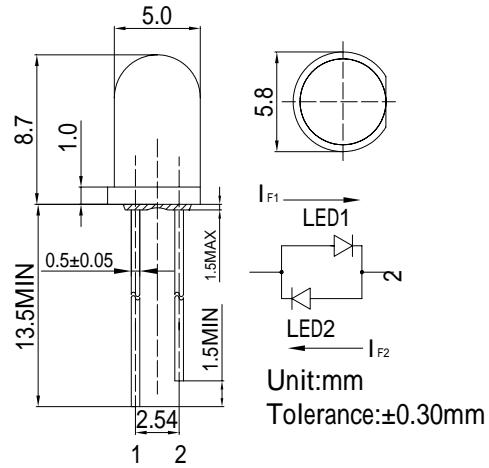
**■Features**

- High Luminous LEDs
- 5mm Straw Standard Directivity
- Long Lifetime Operation
- Superior Weather-resistance
- UV Resistant Epoxy/ Water Clear Type
- AC LED

**■Applications**

- Backlighting (illuminated advertising etc.)
- Substitution of Micro Incandescent Lamps
- Reading Lamps / Emergency Lighting
- Marker lights (e.g. steps, exit ways, etc.)
- Other Lighting

**■Outline Dimension**

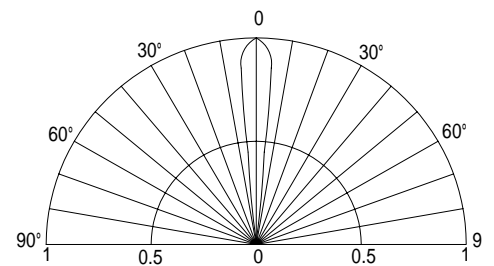


**■Absolute Maximum Rating**

(Ta=25 °C)

| Item                       | Symbol          | Value      |      | Unit |
|----------------------------|-----------------|------------|------|------|
|                            |                 | LED1       | LED2 |      |
| DC Forward Current         | I <sub>F</sub>  | 30         | 30   | mA   |
| Pulse Forward Current*     | I <sub>FP</sub> | 100        | 100  | mA   |
| Reverse Voltage            | V <sub>R</sub>  | 5          | 5    | V    |
| Power Dissipation          | P <sub>D</sub>  | 108        | 108  | mW   |
| Operating Temperature      | Topr            | -30 ~ +85  |      |      |
| Storage Temperature        | Tstg            | -40 ~ +100 |      |      |
| Lead Soldering Temperature | Tsol            | 260 /5sec  |      | -    |

**■Directivity**



\*Pulse width Max.10ms Duty ratio max 1/10

**■Electrical -Optical Characteristics**

(Ta=25 °C)

| Item                      | NO.  | Symbol            | Condition             | Min. | Typ.  | Max. | Unit |
|---------------------------|------|-------------------|-----------------------|------|-------|------|------|
| DC Forward Voltage        | LED1 | V <sub>F1</sub>   | I <sub>F1</sub> =20mA | 2.9  | 3.1   | 3.6  | V    |
|                           | LED2 | V <sub>F2</sub>   | I <sub>F2</sub> =20mA | 2.9  | 3.1   | 3.6  | V    |
| Chromaticity Coordinates* | LED  | x                 | I <sub>F</sub> =20mA  | -    | 0.27  | -    |      |
|                           |      | y                 | I <sub>F</sub> =20mA  | -    | 0.28  | -    |      |
| Luminous Intensity *      | LED1 | I <sub>v1</sub>   | I <sub>F1</sub> =20mA | -    | 10000 | -    | mcd  |
|                           | LED2 | I <sub>v2</sub>   | I <sub>F2</sub> =20mA | -    | 10000 | -    | mcd  |
| 50% Power Angle           | LED1 | 2θ <sub>1/2</sub> | I <sub>F1</sub> =20mA | -    | 15    | -    | deg  |
|                           | LED2 | 2θ <sub>1/2</sub> | I <sub>F2</sub> =20mA | -    | 15    | -    | deg  |

\*Tolerance of dominant chromaticity is ±10%

\*2 Tolerance of luminous intensity is ±15%

## X-ON Electronics

Largest Supplier of Electrical and Electronic Components

*Click to view similar products for [Standard LEDs - Through Hole category:](#)*

*Click to view products by [Optosupply manufacturer:](#)*

Other Similar products are found below :

[LTL-10254W](#) [LTL-1214A](#) [LTL-1BEDJ](#) [LTL-2231AT](#) [LTL-3251A](#) [LTL-4262N](#) [LTL-5234](#) [LTL87HTBK](#) [LTD-87HD4B](#) [7383/V7C3-BSTA-L/PR3/MS](#) [G22041431007J2C000](#) [HLMP-AG64-X10ZZ](#) [HLMP-EG1A-Z10DV](#) [HLMP-EL3B-WXKDD](#) [HLMP-HB74-UVBDD](#) [HLMP-HG65-VY0DD](#) [HLMP-HM74-34CDD](#) [HLMP-HM75-34CDD](#) [1L0532V23G0TD001](#) [NSPW500CS](#) [C4SMA-BGF-CQ34Q3C2](#) [L53GC13](#) [264-7SURTS530-A3](#) [L-C150JRCT](#) [S4SMS-BJF-CQ42QGF2](#) [S4SMS-GJF-CW12QMF2](#) [LD CQDP-1U3U-W5-1-K](#) [LNX998CKBDA](#) [LO566UHR3-70G-A3](#) [SLA560WBD2PT3](#) [LP379PPG1C0G0300001](#) [SLR-322MCT32](#) [SLR-342DUT32](#) [SLR-342MC3F](#) [SLR343BC7TT32](#) [SLR343BCTT32](#) [SLX-LX3044GD](#) [SLX-LX3044ID](#) [SLX-LX3044YD](#) [SNW-LX504SRC/4](#) [1.90690.3330000](#) [SSL-LX20483ID](#) [SSL-LX3034YD](#) [SSL-LX5093LGT-11](#) [SSL-LX5093PGC](#) [SSL-LX5093SRC/F](#) [SSL-LX5093SYT](#) [SSL-LX5099SRSGC-CA](#) [SSL-LX509E3SIT](#) [SSL-LX509FT3ID](#)