

OX/OY Series

Ceramic Composition 10% Tolerance

The OX/OY Series of fixed ceramic resistors are ideal for circuitry associated with surges, high peak power or high energy. They offer enhanced performance in high voltage power supplies, R-C snubber circuits, and inrush limiters. The OX/OY resistors can often replace carbon composition resistors which can be difficult to source.



FEATURES

- Replaces 1 and 2 watt carbon composition resistors
- Meets high energy density demands
- High peak power
- 10% Tolerance

SERIES SPECIFICATIONS

Series	Watts max.*	Resistance range	Joules max.**	Max. working volts
OX	1	3.3Ω-100K	50	300
OY	2	3.3Ω-1M	80	400

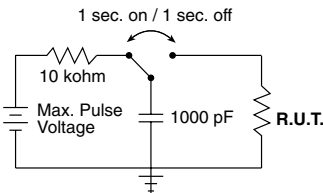
* at 70°C. **For a single impulse.

CHARACTERISTICS

Terminals	Pb-free solder-coated axial	
Coating	Silicone ceramic	
Derating	Linear from 100% @ +70°C to 0% @ +200°C	
Operating Temp. Range	-40°C to +220°C	
Tolerance	±10% standard	
Power Rating	Based on 70°C free air rating	
Temperature Coefficient	-1300 ±300ppm/°C.	

	OX	OY
Max Working Voltage	300V	400V
Dielectric Strength	500V	700V
Max Overload Voltage	600V	800V
Max Pulse Voltage¹	14KV	20KV
Pulse Tolerance, 100 pulses	1240V @ 52μF, 40J/ 35 sec.	1640V @ 52μF, 70J/35 sec.

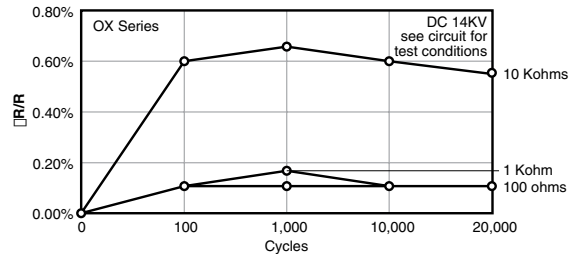
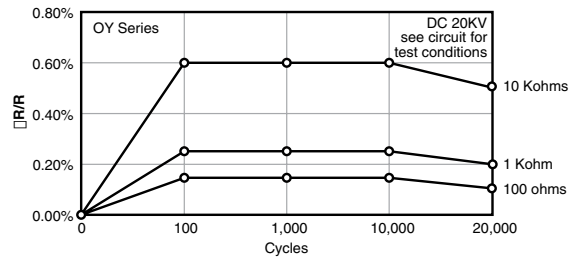
¹See figures



14KV and 20KV values used in circuit as shown; full voltage not applied directly to resistor.

Test Condition	Maximum ΔR
Life Test MIL-STD-202, Method 108	±5%
Short Time Overload 2x rated V, 5 sec ON @ 70°C	±(2% +0.05Ω)
Resistance to Pulse¹ 20,000 cycles. See circuit for test conditions	±5%
Thermal Shock MIL-STD-202, Method 107	±(2% ±0.05Ω)
Moisture Resistance 1000 hrs @ 40°C, 90 - 95% RH	±5%

Resistance to Pulse



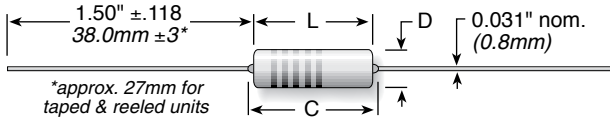
(continued)

OX/OY Series

Ceramic Composition
10% Tolerance

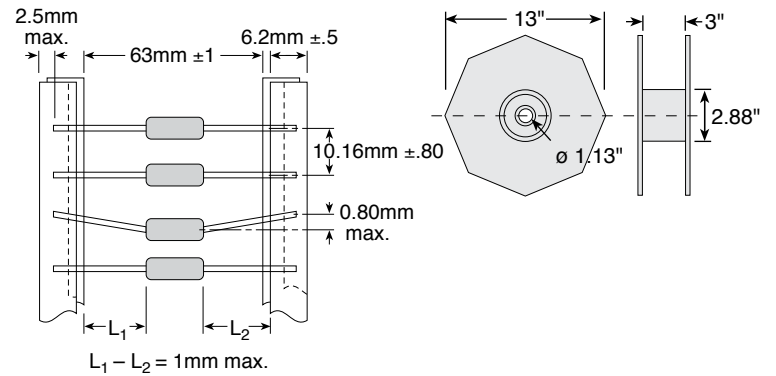
DIMENSIONS

in./mm



Series	Length L ±.039 (±1.0)	Length C max.	Diameter D ±.039 (±1.0)	Qty. per reel
OX	0.65 / 16.5	0.748 / 19.0	0.217 / 5.5	1000
OY	0.748 / 19.0	0.886 / 22.5	0.276 / 7.0	500

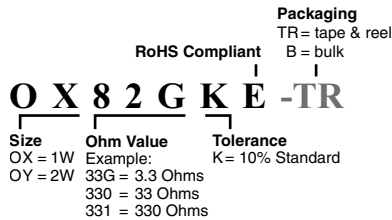
Tape and Reel Dimensions



ORDERING INFORMATION

Standard part numbers for OX/OY Series

Ohmic value	Part No. Prefix > Suffix ▼	Wattage 1 2	Ohmic value	Part No. Prefix > Suffix ▼	Wattage 1 2	Ohmic value	Part No. Prefix > Suffix ▼	Wattage 1 2	Ohmic value	Part No. Prefix > Suffix ▼	Wattage 1 2	Ohmic value	Part No. Prefix > Suffix ▼	Wattage 1 2
3.3	—33GKE	✓ ✓	27	—270KE	✓ ✓	220	—221KE	✓ ✓	1800	—182KE	✓ ✓	15000	—153KE	✓ ✓
3.9	—39GKE	✓ ✓	33	—330KE	✓ ✓	270	—271KE	✓ ✓	2200	—222KE	✓ ✓	18000	—183KE	✓ ✓
4.7	—47GKE	✓ ✓	39	—390KE	✓ ✓	330	—331KE	✓ ✓	2700	—272KE	✓ ✓	22000	—223KE	✓ ✓
5.6	—56GKE	✓ ✓	47	—470KE	✓ ✓	390	—391KE	✓ ✓	3300	—332KE	✓ ✓	27000	—273KE	✓ ✓
6.8	—68GKE	✓ ✓	56	—560KE	✓ ✓	470	—471KE	✓ ✓	3900	—392KE	✓ ✓	33000	—333KE	✓ ✓
8.2	—82GKE	✓ ✓	68	—680KE	✓ ✓	560	—561KE	✓ ✓	4700	—472KE	✓ ✓	39000	—393KE	✓ ✓
10	—100KE	✓ ✓	82	—820KE	✓ ✓	680	—681KE	✓ ✓	5600	—562KE	✓ ✓	47000	—473KE	✓ ✓
12	—120KE	✓ ✓	100	—101KE	✓ ✓	820	—821KE	✓ ✓	6800	—682KE	✓ ✓	56000	—563KE	✓ ✓
15	—150KE	✓ ✓	120	—121KE	✓ ✓	1000	—102KE	✓ ✓	8200	—822KE	✓ ✓	68000	—683KE	✓ ✓
18	—180KE	✓ ✓	150	—151KE	✓ ✓	1200	—122KE	✓ ✓	10000	—103KE	✓ ✓	82000	—823KE	✓ ✓
22	—220KE	✓ ✓	180	—181KE	✓ ✓	1500	—152KE	✓ ✓	12000	—123KE	✓ ✓	100000	—104KE	✓ ✓
														1 MEG —105KE ✓ ✓



X-ON Electronics

Largest Supplier of Electrical and Electronic Components

Click to view similar products for [Ceramic Composition Resistors](#) category:

Click to view products by [Ohmite](#) manufacturer:

Other Similar products are found below :

[CCR1100KKTB](#) [CCR210KKB](#) [CCR210RKT](#) [CCR222KKB](#) [47250](#) [CCR147RKB](#) [CCR2470RKB](#) [ZR0207T](#) [ZR0204C](#) [CCR21K0KT](#)
[RC1R0EA1K00KE](#) [CW001620R0JE70](#) [HPC1C394K](#) [CCR23R9KB](#) [DFN51120](#) [HPC2C330K](#) [PCF2C152K](#) [PCF2C5R6K](#) [PCF1/2C223K](#)
[PCF1/2C470K](#) [HPC1C271K](#) [PCF2C561K](#) [PCF1CT631R221K](#) [PCF1C221K](#) [PCF1/2C683K](#) [PCF1/2C471K](#) [PCF1/2C151K](#) [PCF1/2C100K](#)
[HPC2C563K](#) [HPC1C681K](#) [HPC1/2C332K](#) [MR06X1471FTL](#) [AW100K](#) [AW330K](#) [AW820K](#) [AX821KE](#) [AY220K](#) [AY270K](#) [AY330K](#)
[CCR247RKB](#) [OX220K](#) [OX330K](#) [OY103K](#) [OY222K](#) [HME](#) [LCPL200-2K](#) [HPC1/2C471K](#) [HPC1C102K](#) [HPC1C103K](#) [HPC1C121K](#)