

Pulse transformers for THT mounting



Description

- High insulation rating (>3.2 kVAC) between the primary and the secondary windings
- High insulation rating up to 500V between the secondary windings
- Small coupling capacitances between primary and secondary windings limit transient feedback from the power supply side to the control electronics
- The defined partial discharge voltage guarantees an effectively unlimited serviceable life

Standards

- VDE 110b

Applications

- Galvanic separation of drive- and power-circuit
- Mainly used in ignition circuits with Thyristors, Triacs, power transistors and IGBT's
- DC/DC converters
- Line coupling transformers in high speed data transmission

Weblinks

[pdf-datasheet](#), [html-datasheet](#), [General Product Information](#), [Approvals](#), [CE declaration of conformity](#), [RoHS](#), [CHINA-RoHS](#), [REACH](#), [e-Shop](#), [SCHURTER-Stock-Check](#), [Distributor-Stock-Check](#), [Detailed request for product](#)

Technical Data

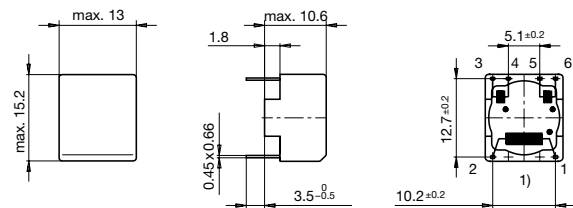
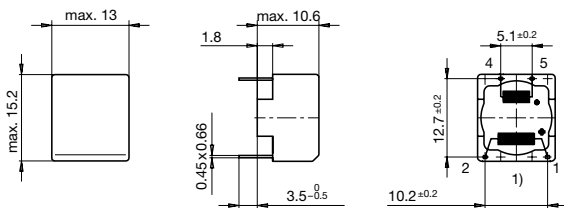
Rated voltage	up to 600 VAC
Voltage Time Integral	150 - 400 V μ s
Pulse Rise Time	0.05 - 1.5 μ s
Turns Ratio	1:1, 2:1, 1:1:1
Terminal technic	THT
Weight	6 - 11 g
Material: Housing	UL 94V-0
Sealing Compound	UL 94V-0

Climatic Category	25/100/21 acc. to IEC 60068-1
Allowable Operation Temp.	-25 °C to 100 °C

Dimension

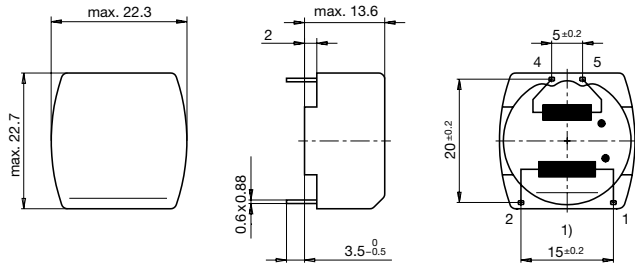
Case 35-3

Case 35-4

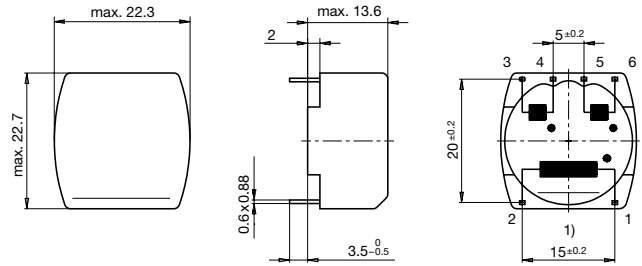


1) Prim.

Case 39-3

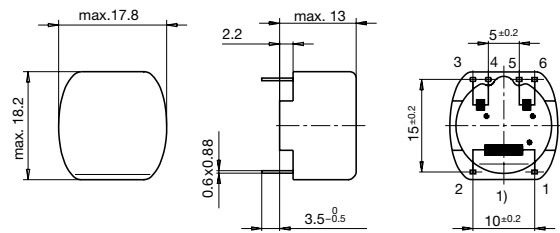
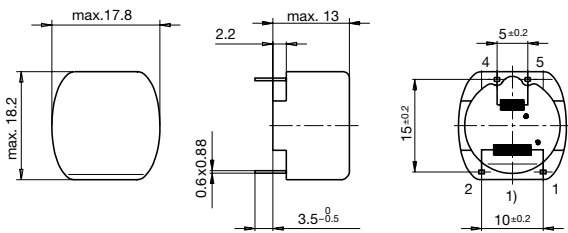


Case 39-4



1) Prim.
Case 49-4

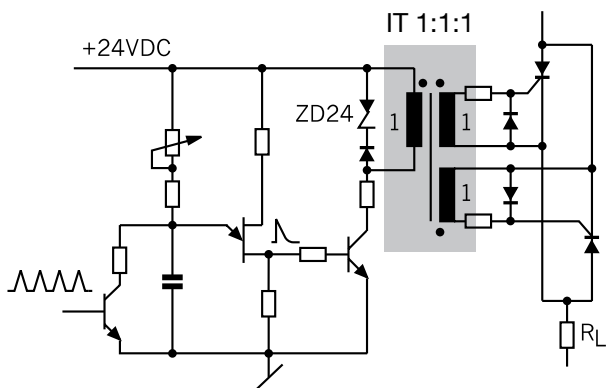
Case 49-3



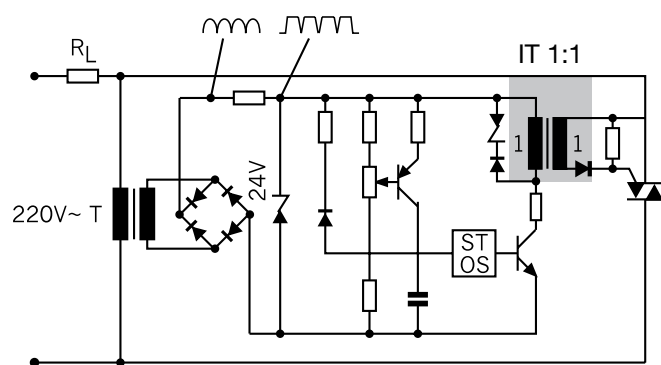
1) Prim.

1) Prim.

Diagrams



Firing of antiparallel Thyristors (SCR's) by means of unijunction and transistor amplifiers



Triac phase angle control

All Variants

Turns Ratio	T_r [μ s]	I_{ign} [A]	U_{isol} [kV]	$U_s \times T_w$ [μ s]	L_s [mH]	R_p [Ω]	R_s [Ω]	C_c [pF]	Weight [g]	Packing unit [pcs.]	Housing	Order Number
1:1	0.05	0.1	3.2	200	2.8	1.5	1	43/80	8 g	480	35-3	ITRA-0235-D103
1:1	0.9	0.1	3.5	200	2.8	1	1	20	8 g	480	35-3	ITNA-0235-D103
1:1	0.1	0.5	3.2	400	2.2	0.4	0.4	100	11 g	140	39-3	ITRA-0239-D502
1:1	1	0.17	3.5	400	2.2	0.4	0.4	20	11 g	140	39-3	ITNA-0239-D202
1:1	0.05	0.1	3.2	300	3.5	0.7	0.7	90	9 g	45	49-3	ITRA-0249-D104
1:1	1	0.1	3.5	300	3.5	0.7	0.7	20	9 g	45	49-3	ITNA-0249-D104
1:1:1	0.05	0.1	3.2	150	1.1	1	0.5	40	8 g	480	35-4	ITRF-0235-D101
1:1:1	0.5	0.5	3.2	350	1.6	0.4	0.4	90	10 g	140	39-4	ITRF-0239-D502
1:1:1	1.5	0.17	3.5	350	1.6	0.4	0.4	20	10 g	140	39-4	ITNF-0239-D202
1:1:1	1	0.1	3.5	250	1.4	0.5	0.5	20	9 g	45	49-4	ITNF-0249-D101
2:1	0.5	0.5	3.2	350	1.8	0.8	0.4	90	9 g	140	39-3	ITRB-0239-D502
2:1	0.05	0.1	3.2	250	1.4	1	0.5	70	9 g	45	49-3	ITRB-0249-D101
2:1	1	0.1	3.5	250	1.6	1	0.5	20	6 g	45	49-3	ITNB-0249-D101

Availability for all products can be searched real-time: <http://www.schurter.com/en/Stock-Check/Stock-Check-SCHURTER>

X-ON Electronics

Largest Supplier of Electrical and Electronic Components

Click to view similar products for [Pulse Transformers](#) category:

Click to view products by [Schurter](#) manufacturer:

Other Similar products are found below :

[IF-18-0269-N](#) [PHT-068](#) [PT5010](#) [PE-65457NLT](#) [T60403-D4721-X088](#) [H1183NLT](#) [CTX33-18971-R](#) [HM2108NLT](#) [PA1825NLT](#)
[HM0068ANLT](#) [PE-6292](#) [P0584ANL](#) [CX2044LNL](#) [PG1427.001NLT](#) [750313723](#) [TGMR-512V6LF](#) [HM1331NL](#) [TGMR-430V8LF](#) [TGMR-](#)
[501V6LF](#) [76615/1C](#) [B82804A0304A225](#) [TGM-040P3RL](#) [TGMR-Q440V8LF](#) [TGM-450NFRL](#) [IT 238](#) [HM41-11210LF](#) [TGM-210NSRL](#)
[TGM-240NSRL](#) [TGM-240NSLF](#) [TGM-030P3RL](#) [CTX16-17360](#) [ITNA-0239-D202](#) [TGM-H280V8LF](#) [TGM-340NARL](#) [T60403-D4097-](#)
[X052](#) [ITRB-0239-D502](#) [TGM-H240V8LF](#) [78601/2JC-R](#) [TGAD-292NARL](#) [HX6096NLT](#) [78601/2MC-R](#) [T60403-D4215-X177](#) [78613/1JC](#)
[600PA](#) [H1183NL](#) [TGMR-502V6LF](#) [CTX02-13664](#) [TGMR-380V6LF](#) [T60403-F5046-X008](#) [TGM-H260V8LF](#)