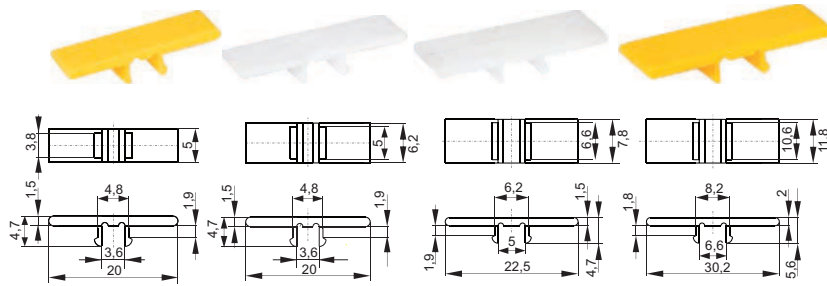
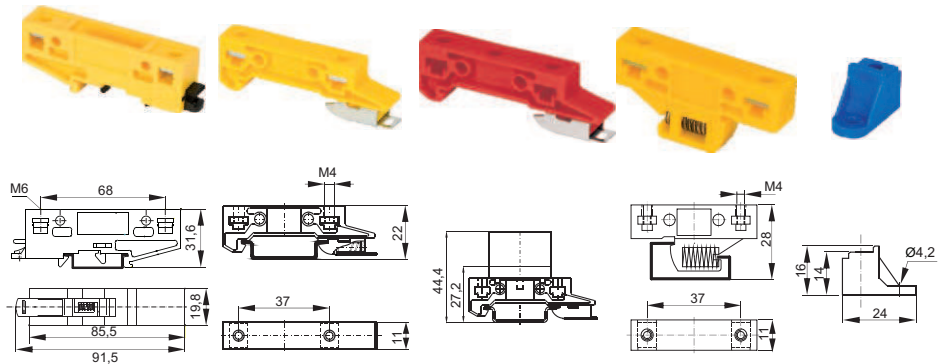


## Covers

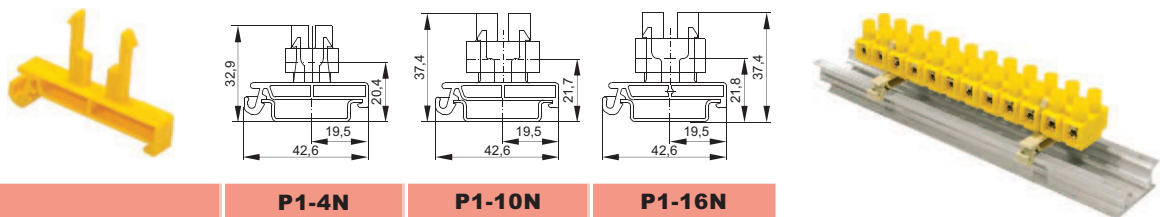


TYPE	OZG-2,5	OZG-4	OZG-10	OZG-16	
Catalogue number	99-510	99-520	99-530	99-540	
Colour	<ul style="list-style-type: none"> <li>yellow-1 ●</li> <li>white-2 ○</li> <li>black-3 ●</li> <li>green-5 ●</li> <li>blue-6 ●</li> <li>red-7 ●</li> <li>grey-8 ●</li> </ul>	<ul style="list-style-type: none"> <li>yellow-1 ●</li> <li>white-2 ○</li> <li>black-3 ●</li> <li>green-5 ●</li> <li>blue-6 ●</li> <li>red-7 ●</li> <li>grey-8 ●</li> </ul>	<ul style="list-style-type: none"> <li>yellow-1 ●</li> <li>white-2 ○</li> <li>black-3 ●</li> <li>green-5 ●</li> <li>blue-6 ●</li> <li>red-7 ●</li> <li>grey-8 ●</li> </ul>	<ul style="list-style-type: none"> <li>yellow-1 ●</li> <li>white-2 ○</li> <li>black-3 ●</li> <li>green-5 ●</li> <li>blue-6 ●</li> <li>red-7 ●</li> <li>grey-8 ●</li> </ul>	
Use as	Bolts cover for:	ZG-G2,5	ZG-G4 ZG-G4 PE/L/N ZG-G4 PE/L/L ZG-G31...36	ZG-G10	ZG-G16
Width	5mm	6,2mm	7,8mm	11,8mm	
Insulating material	polyamide	polyamide	polyamide	polyamide	
Ambient temperature	-25...+100°C	-25...+100°C	-25...+100°C	-25...+100°C	
Package	25pcs.	25pcs.	25pcs.	25pcs.	

## Mounting bases



TYPE	WMU-1	WM35	WM35/LZ-B	WM32 <sup>1)</sup>	ZO
Catalogue number	45-250	45-220	12-090	45-210	45-2306
Colour	<ul style="list-style-type: none"> <li>yellow-1 ●</li> <li>blue-6 ●</li> <li>grey-8 ●</li> </ul>	<ul style="list-style-type: none"> <li>yellow-1 ●</li> <li>blue-6 ●</li> <li>grey-8 ●</li> </ul>	<ul style="list-style-type: none"> <li>white-2 ○</li> <li>black-3 ●</li> <li>blue-6 ●</li> <li>red-7 ●</li> </ul>	<ul style="list-style-type: none"> <li>yellow-1 ●</li> <li>blue-6 ●</li> <li>grey-8 ●</li> </ul>	<ul style="list-style-type: none"> <li>blue ●</li> </ul>
Use	For installing: large devices on rails TS32/AL and TS35	terminal blocks and branches on rails TS35; TS35-15/AL	LZ-B	terminal blocks and branches on rails TS32/AL	ZO to base
Insulating material	polyamide	polyamide	polyamide with glass fibre	polyamide	polyamide
Ambient temperature	-25...+100°C	-25...+100°C	-25...+150°C	-25...+100°C	-25...+100°C
Package	10pcs.	50pcs.	1pc.	50pcs.	100pcs.



TYPE	P1-4N	P1-10N	P1-16N
Catalogue number	45-271	45-273	45-275
Colour	<ul style="list-style-type: none"> <li>yellow-1 ●</li> <li>white-2 ○</li> <li>black-3 ●</li> <li>grey-8 ●</li> </ul>	<ul style="list-style-type: none"> <li>yellow-1 ●</li> <li>white-2 ○</li> <li>black-3 ●</li> <li>grey-8 ●</li> </ul>	<ul style="list-style-type: none"> <li>yellow-1 ●</li> <li>white-2 ○</li> <li>black-3 ●</li> <li>grey-8 ●</li> </ul>
Use	TLZ-4N on TS35 rail assembly	TLZ-10N on TS35 rail assembly	TLZ-16N on TS35 rail assembly
Insulating material	polyamide	polyamide	polyamide
Ambient temperature	-25...+100°C	-25...+100°C	-25...+100°C
Package	10pcs.	10pcs.	10pcs.

<sup>1)</sup> on request

## **X-ON Electronics**

Largest Supplier of Electrical and Electronic Components

*Click to view similar products for [Fixed Terminal Blocks](#) category:*

*Click to view products by [POKOJ](#) manufacturer:*

Other Similar products are found below :

[00175550202](#) [MBE-1512](#) [MBE-1520](#) [MBE-154](#) [MBE-156](#) [MBES-1510](#) [MBES-153](#) [MBES-156](#) [MH-2512](#) [MHE-132](#) [MHE-133](#) [MHE-163](#)  
[MI-254 \(35\)](#) [MI-272](#) [8739](#) [880507](#) [880508](#) [MPT-275](#) [1546551-6](#) [ELM023100](#) [ELM10110G](#) [ELVD12100](#) [BA311TU](#) [BA411SU](#) [MV-152](#)  
[MV-253/NCNOC](#) [MV-254-D](#) [MV-255](#) [MV-462](#) [MV-472](#) [MV-493](#) [MVE-252](#) [MVE-253](#) [MVE-258](#) [MVE-273](#) [MVEB-153](#) [1700096](#)  
[1702246](#) [1705142](#) [1712417](#) [1713020](#) [1713088](#) [1776118-2](#) [1790852](#) [1-796689-8](#) [1-796692-6](#) [1800001](#) [1800114](#) [1823215](#) [1838462](#)