



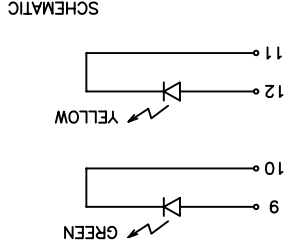
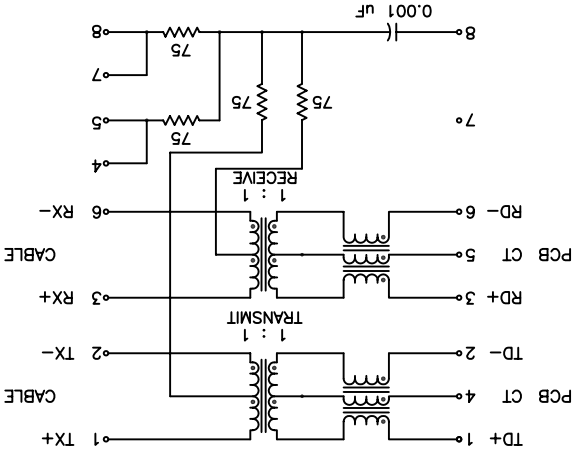
NOTES: UNLESS OTHERWISE SPECIFIED

1. THIS COMPONENT CONFORMS TO UL60950, UL FILE NO. IS: E21611Z.

	<b>WARNING:</b> THIS COMPONENT IS RECOGNIZED BY ONE OR MORE SAFETY AGENCIES SUCH AS UL, VDE, CSA AND/OR TUV. ALL ENGINEERING CHANGES MUST HAVE PRIOR APPROVAL BY THE DESIGN CENTER QUALITY DEPARTMENT FOR SAFETY AGENCY COMPLIANCE.
	<b>EN APPROVAL:</b> _____ <b>QA APPROVAL:</b> _____ <b>DATE:</b> _____

	<b>NOTICE:</b> THIS IS A RoHS COMPLIANT COMPONENT/PRODUCT. ALL ENGINEERING CHANGES MUST HAVE PRIOR APPROVAL BY THE DESIGN CENTER.
	<b>RoHS</b>

3. PLASTIC HOUSING: THERMOPLASTIC MATERIAL WITH FLAMMABILITY RATING UL 94V-0 OR BETTER.
4. CONTACT BASE MATERIAL: PHOSPHOR BRONZE.
5. CONTACTS UNDERPLATE: 50 MICRONS DUCTILE NICKEL.
6. CONTACTS PLATING: 15 MICRONS GOLD PLATING.
7. SOLDER TAIL PLATING MATERIAL: 100-300 MICRONS 100% TIN, MATTE FINISH.
8. METAL SHIELD: NICKEL PLATING ON COPPER ALLOY.
9. JACK CAVITY CONFORMS TO FCC RULES AND REGULATIONS PART 68 SUBPART F. PCB PLATING: ENIG
11. IPC/EIA J-STD-003A. SOLDERABILITY: CONFORMS TO ANSI/J-STD-002.
12. OPERATING TEMPERATURE: 0°C TO +70°C
13. STORAGE TEMPERATURE: -20°C TO +125°C
14. JEDEC MOISTURE: LEVEL 1.
15. DIMENSIONS ARE IN INCHES [MILLIMETERS] WITH THE FOLLOWING TOLERANCES: [MILLIMETERS] ARE FOR REFERENCE ONLY.  
 .XX = ±.02 [±0.5]  
 .XXX = ±.010 [±0.25]



SCHEMATIC

PARAMETER		SPECIFICATIONS	
OPERATING TEMP	0°C - 70°C	TURNS RATIO	1 : 1 ±2%
POLARITY	PER SCHEMATIC	INSERTION LOSS	100 KHZ -1.2 DB MAX
RETURN LOSS	(Z OUT = 100 OHM±15%)	INDUCTANCE (OCL)	350 uH MIN
			(MEASURED AT 100 KHZ, 100 mV <sub>RMS</sub> ) (MEDIA SIDE, 0°C-70°C)
CROSSTALK, ADJACENT CHANNELS	1 MHZ	COMMON MODE REJECTION RATIO	2 MHZ
	10-100 MHZ		30-200 MHZ
DC RESISTANCE 1/2 WINDING	.60 OHMS MAX	DC RESISTANCE IMBALANCE	±.065 OHMS MAX (CENTER TAP SYMMETRY)

NOTE: f IS FREQUENCY IN MHZ.

EMITTED COLOR	WAVELENGTH (nm)	BRIGHTNESS (mcd)	VIEWING ANGLE	POWER DISSIPATION (Pd)	DC FORWARD CURRENT	FORWARD VOLTAGE (Vf)	REVERSE VOLTAGE (Vr)
YELLOW	585 nm	10 TYP. @ 20 mA	100°	68 mW MAX	150 mA MAX	2.1 TO 2.7 VOLTS	5.0 V MAX
GREEN	568 nm	12 TYP. @ 20mA	100°	68 mW MAX	150 mA MAX	2.2 TO 2.7 VOLTS	5.0 V MAX

NOTE: PER VENDOR'S SPECIFICATIONS

PRODUCT DESCRIPTION

CONN,RJ45,1X1,100D,1:1,TU

PS DRAWING

PS-2163.001-F

SHEET: 1

DWG. NO./ PART NO.

J00-0213NL

REV.

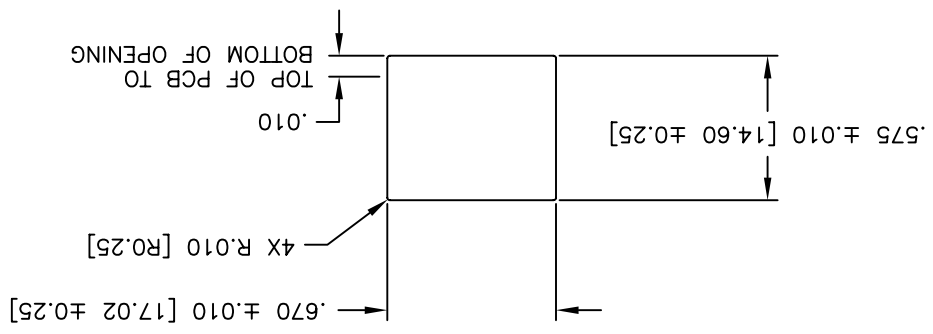
M10

PULSE CONFIDENTIAL & PROPRIETARY

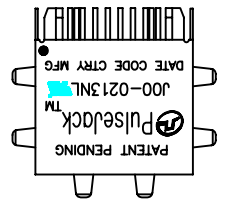
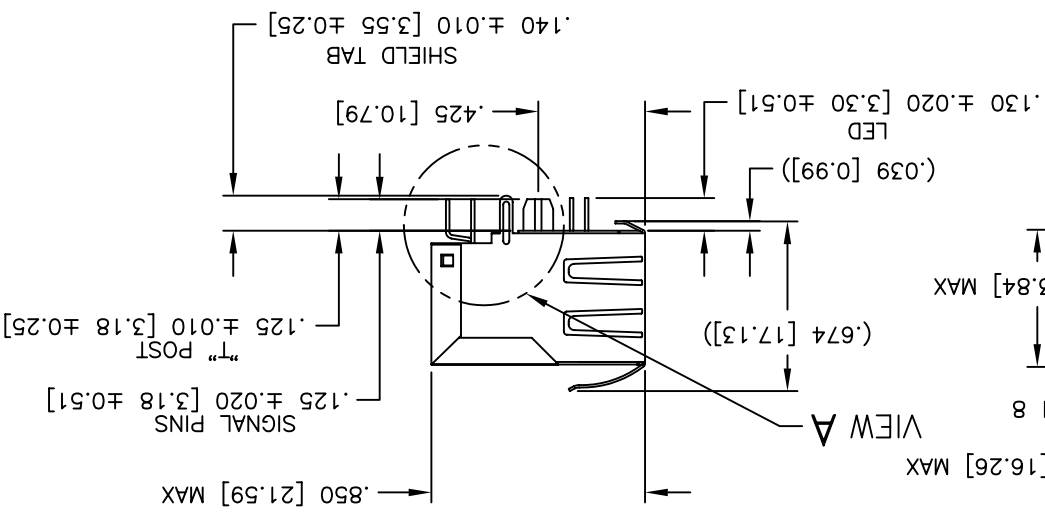
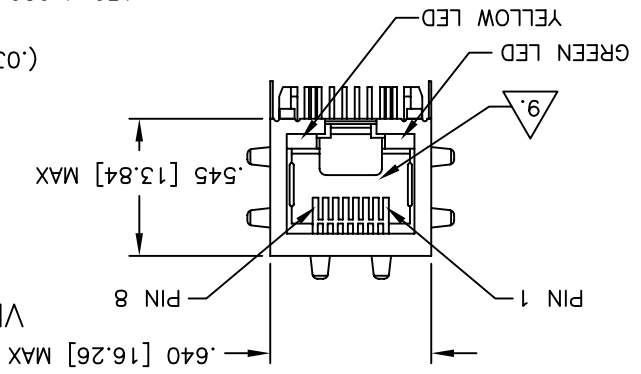
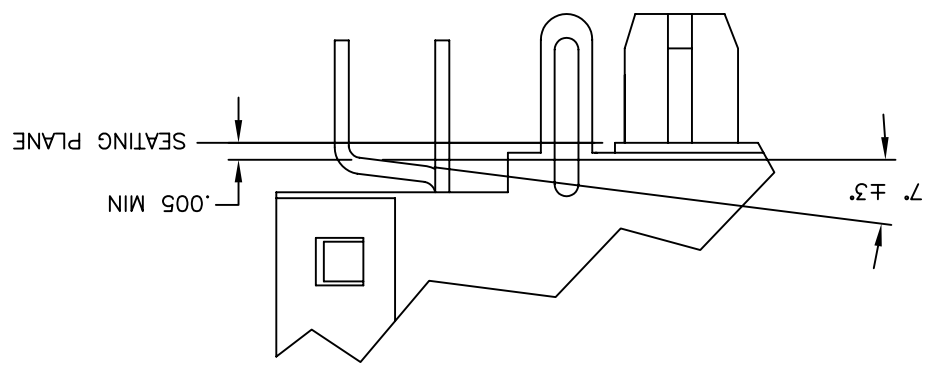
© Copyright, 2010, Pulse Electronics Corp. All rights reserved. Drawing specifications subject to change without notice. (01/10/11)

© Copyright, 2010. Pulse Electronics Corp. All rights reserved. Drawing specifications subject to change without notice. (01/10/11)

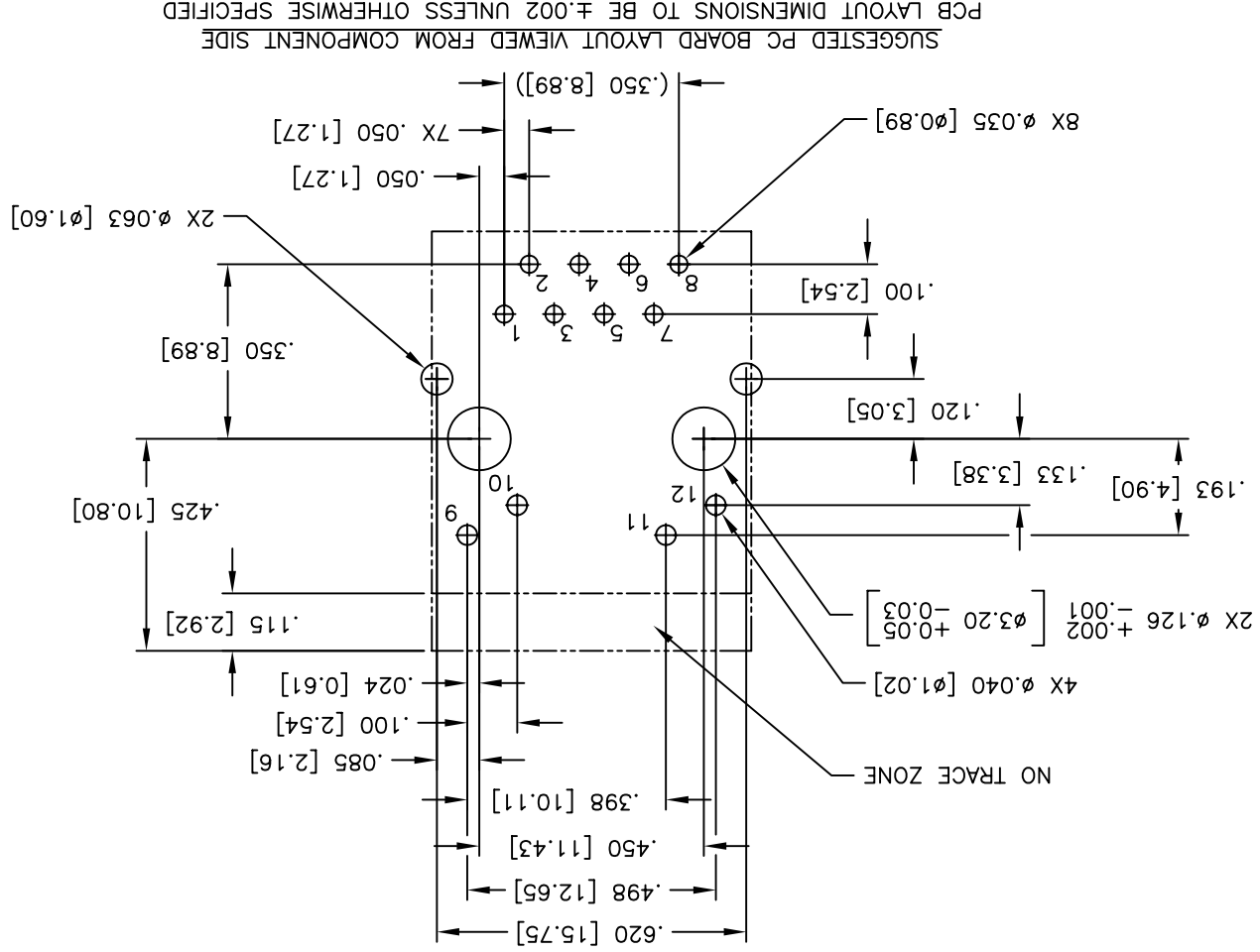
RECOMMENDED PANEL CUTOUT



VIEW A



PULSE CONFIDENTIAL & PROPRIETARY		PRODUCT DESCRIPTION	PS DRAWING	SHEET: 3	DWG. NO./ PART NO. J00-0213NL	REV. M10
CONN,RJ45,1X1,100D,1:1,TU		PS-2163.001-F	© Copyright, 2010. Pulse Electronics Corp. All rights reserved. Drawing specifications subject to change without notice. (01/10/11)			



## X-ON Electronics

Largest Supplier of Electrical and Electronic Components

*Click to view similar products for [Modular Connectors](#) / [Ethernet Connectors](#) category:*

*Click to view products by [Pulse](#) manufacturer:*

Other Similar products are found below :

[RJE231881317T](#) [MP1010RX-1000](#) [MP44RX-1000](#) [GAX-3-66](#) [GAX-8-62](#) [93606-0253](#) [GD-A-44](#) [GDCX-PA-66-50](#) [GDCX-PN-64](#) [GDCX-PN-66](#) [GDCX-PN-66-50](#) [GDLX-A-66](#) [GDLX-A-88](#) [GDLX-N-66](#) [GDLX-S-88K](#) [GDTX-S-88-50](#) [GDX-PA-1010](#) [GLX-A-44](#) [GLX-N-1010M-BLK](#) [GLX-N-44M](#) [GLX-S-88M-BLK](#) [GMX-N-1010](#) [GMX-S-1010](#) [GMX-S-66](#) [GMX-SMT2-N-1010](#) [GMX-SMT2-N-64-50](#) [GMX-SMT2-S6-88](#) [GMX-SMT4-N-88](#) [GPX-2-64](#) [GRT1-BT1-5](#) [GSGX-N-2-88](#) [GSX-NS2-88-3.05](#) [GSX-NS2-88-3.05-50](#) [GSX-NS-88-3.05-30](#) [GSX-NS-88-3.05-50](#) [GSX-NS-88-3.68](#) [1-1775629-2](#) [GWLX-S-88-GR](#) [GWLX-S9-88-YG](#) [1300500326](#) [1300500227](#) [1300530003](#) [1300570002](#) [1324640-4](#) [RJ11FTVC2G](#) [RJ11FTVC2N](#) [RJFTVX2SA1G](#) [132764-001](#) [1400000](#) [1413176](#)