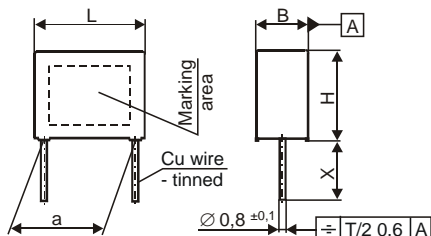


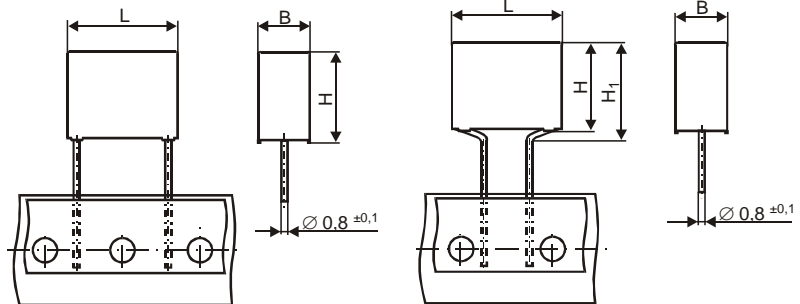
# WXPC

## INTERFERENCE SUPPRESSION CAPACITORS OF CLASS X2 / 275 VAC

### WXPC – version 00, 01



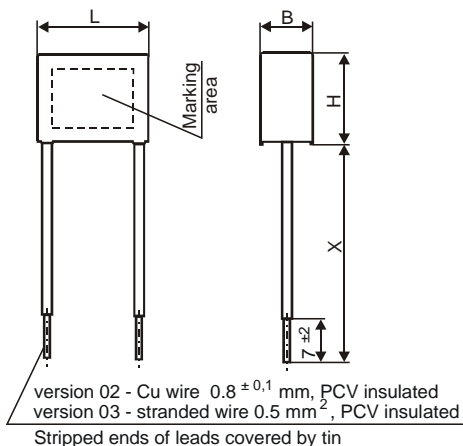
### Taped



Lead spacing of 10.0 and 15.0 mm  
– the pitch of holes on carrier tape  
12.7 mm

Lead spacing of 10.0 and 15.0 mm  
– crimped to the lead spacing of 7.5 mm  
– the pitch of holes on carrier tape  
15.0 mm

### WXPC – version 02,03



#### Standard lead lengths

$X = 6 \pm 1$  mm for version 00

$X = 35 \pm 5$  mm for version 01; 02; 03

### APPLICATION

The WXPC interference suppression capacitors of class X2 are designed to attenuate RFI signals in electronic / electrical equipment supplied with AC voltage not exceeding 275 V with the frequency of 50/60 Hz.

### CONSTRUCTION

Non-inductive metallized polypropylene winding encapsulated in self-extinguishing material meeting the requirements of UL 94 V-0.

### REQUIREMENTS

The WXPC capacitors meet the requirements of EN 60384-14 standard for class X2. This product fulfils the requirements of the RoHS Directive (2002/95/EC).

**MIFLEX S.A.**

ZAKŁADY PODZESPOŁÓW RADIOWYCH  
99-300 KUTNO, UL. GRUNWALDZKA 3, POLAND

Tel.: (48) (24) 355 11 00-02

Fax: (48) (24) 355 11 88

E-mail: miflex@miflex.com.pl

page 1  
pages 2


Revision date: 06.02.2008

# WXPC

## INTERFERENCE SUPPRESSION CAPACITORS OF CLASS X2 / 275 VAC

### TECHNICAL DATA

- Rated voltage – 275 Vac 50/60 Hz
- Dissipation factor –  $\leq 0.0010$  at  $f = 1$  kHz for  $C_R > 1.0 \mu\text{F}$
- $\leq 0.0010$  at  $f = 10$  kHz for  $C_R \leq 0.1 \mu\text{F}$
- $\leq 0.0050$  at  $f = 10$  kHz for  $0.1 \mu\text{F} < C_R \leq 1.0 \mu\text{F}$
- Insulation resistance –  $\geq 30\,000 \text{ M}\Omega$  for  $C_R \leq 0.33 \mu\text{F}$
- $\geq 10\,000 \text{ M}\Omega \times \mu\text{F}$  for  $C_R > 0.33 \mu\text{F}$
- Production voltage test – The 100 % screening factory test is carried out at 2150 Vdc per 1 sec. All electrical characteristics are checked after the test.
- Voltage change rate [du/dt] – 100 V/ $\mu\text{s}$
- Climatic category – 40/100/56/C
- Standard – WT-04/MIFLEX/WXP + App. No 2

Code	Version	Rated capacitance	Dimensions					Safety approvals					
			L $\pm 0.3$	H $\pm 0.3$	H <sub>1</sub> max	B $\pm 0.3$	a						
								EN 60384-14 275 Vac					
–	–	$\mu\text{F}$	mm	mm	mm	mm	mm						
WXPC-103K or M	00; 01	0.010	13.0	10.5	12.5	4.5	10.0 $\pm 0.5$	•					
WXPC-153K or M		0.015						•					
WXPC-223K or M		0.022						•					
WXPC-333K or M		0.033						•					
WXPC-473M		0.047						•					
WXPC-473K or M	00; 01; 02; 03	0.047	18.0	10.5	12.5	6.5	15.0 $\pm 0.5$	•					
WXPC-683M		0.068						•					
WXPC-104K or M		0.10						•					
WXPC-154K or M		0.15						•					
WXPC-224K or M		0.22						•					
WXPC-224K or M		0.22						26.5	15.5	–	7.5	22.5 $\pm 0.7$	•
WXPC-274K or M		0.27											•
WXPC-334K or M		0.33											•
WXPC-474K or M		0.47						31.5	18.5	–	10.5	27.5 $\pm 0.7$	•
WXPC-684K or M		0.68											•
WXPC-105K or M	1.0	•											
WXPC-155M	1.5	24.5	–	15.0		•							

Capacitance tolerance:

- K →  $\pm 10 \%$
- M →  $\pm 20 \%$

Approvals in use = •

 **MIFLEX S.A.**

ZAKŁADY PODZESPOŁÓW RADIOWYCH  
99-300 KUTNO, UL. GRUNWALDZKA 3, POLAND

Tel.: (48) (24) 355 11 00-02

Fax: (48) (24) 355 11 88

E-mail: miflex@miflex.com.pl

page 2

pages 2

Revision date: 06.02.2008

## X-ON Electronics

Largest Supplier of Electrical and Electronic Components

*Click to view similar products for [Film Capacitors](#) category:*

*Click to view products by [Miflex](#) manufacturer:*

Other Similar products are found below :

[F339X134748MIP2T0](#) [F450KG153J250ALH0J](#) [750-1018](#) [FKP1-1500160010P15](#) [FKP1R031007D00JYSD](#) [FKP1R031507E00JYSD](#)  
[FKP1U024707E00KYSD](#) [82DC4100CK60J](#) [82EC1100DQ50K](#) [PFR5101J100J11L16.5TA18](#) [PME261JB5220KR19T0](#) [A451GK223M040A](#)  
[A561ED221M450A](#) [QXJ2E474KTPT](#) [QXL2B333KTPT](#) [R49AN347000A1K](#) [EEC2G505HQA406](#) [B25668A6676A375](#) [B25673A4282E140](#)  
[BFC233868148](#) [BFC2370GC222](#) [C3B2AD44400B20K](#) [C4ASWBU3220A3EK](#) [CB027C0473J--](#) [CB177I0184J--](#) [CB182K0184J--](#) [23PW210](#)  
[950CQW5H-F](#) [SBDC3470AA10J](#) [SCD105K122A3-22](#) [2N3155](#) [A571EH331M450A](#) [FKP1-2202KV5P15](#) [FKS3-680040010P10](#)  
[QXL2E473KTPT](#) [445450-1](#) [B25669A3996J375](#) [46KI322000M1M](#) [46KR415050M1K](#) [4BSNBX4100ZBFJ](#) [MKP383510063JKP2T0](#)  
[MKPY2-.02230020P15](#) [MKT 1813-368-015](#) [4055292001](#) [46KN410000N1K](#) [EEC2E106HQA405](#) [EEC2G205HQA402](#) [EEC2G805HQA415](#)  
[P409CP224M250AH470](#) [82EC2150DQ50K](#)