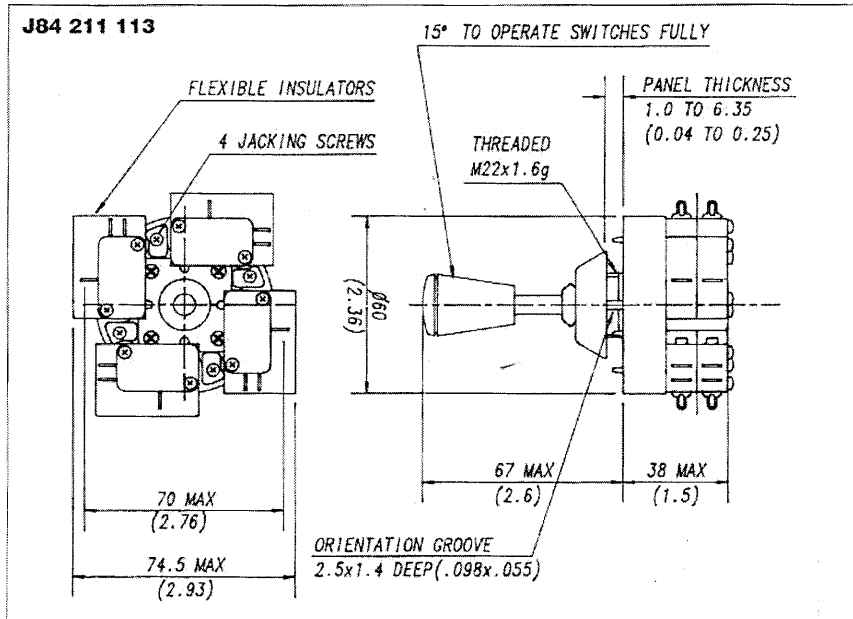
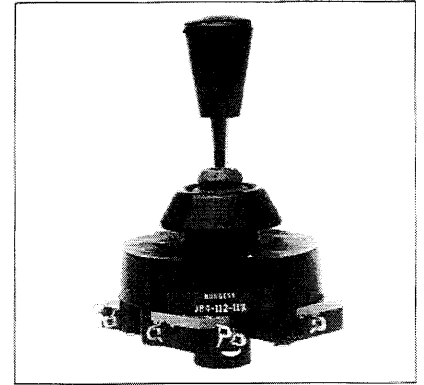


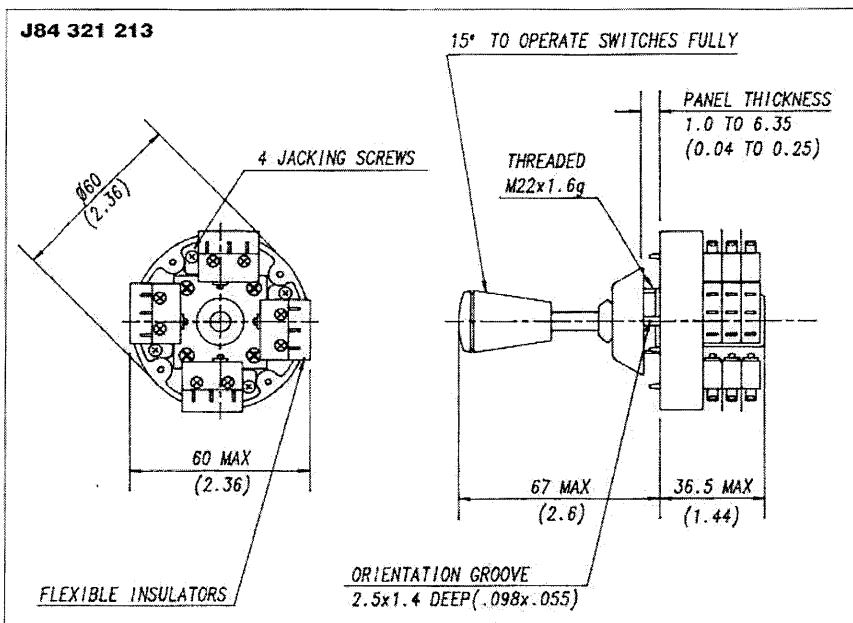
## Joystick Controllers



Multi-directional switching assemblies containing Burgess/SAIA miniature or sub-miniature micro switches. They offer positive, convenient, space saving control for many applications.

Facilities include momentary, latching and stirring action. A lift to operate feature is also available to prevent accidental operation.

Typical uses include:- machine tools, presses, fork lift trucks, cranes, earth moving equipment, pedestrian controlled vehicles, railway signalling, baggage handling equipment, stair lifts etc.



# JOYSTICK CONTROLLERS

## Specifications

### Top plate:

Glass fibre reinforced polyamide (PA.6.6)

### Control rod:

Steel chrome plated

### Bezel/knob:

Phenolic

### Cowl/'O' ring:

Silicone rubber

### Temperature range:

-40°C to +85°C

### Mechanical life:

5 x 10<sup>5</sup> cycles minimum

### Type of protection:

Cowl and 'O' ring provide front of panel sealing. For details of insert switch protection refer to the appropriate sections

### Mounting:

Via single hole 22.5mm (0.89in) dia

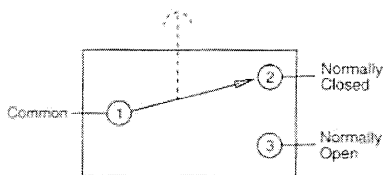
### Insert switches:

V4NT7 – Sub-miniature

XG03 – Miniature

(Other types may be possible please consult SAIA-Burgess Electronics)

### Circuit diagram



## Functions and Facilities

### Gates:

Available with stirring action, 2 or 4 gates.

### Action:

Available with momentary or latching action. Stirring action versions are provided with switches spaced at 90° and can operate adjacent switches simultaneously.

### Operation:

Available as 'normal' or 'lift-to-operate'. The 'lift-to-operate' feature provides a safeguard against accidental operation where the control rod must be lifted by a minimum of 1.5mm (0.06in) before it can be moved from the central 'off' position.

### Mounting recommendations:

The complete assembly less bezel should be inserted into the hole in the panel, the bezel should be screwed on to the threaded sleeve until it is finger tight and the unit locked in position by screwing in the four jacking screws.

### V4NT7

Recommended Max. Electrical Ratings		
Voltage	Resistive load	Inductive load
<b>AC</b>	A	A
up to 250	5	5

### XG03

Recommended Max. Electrical Ratings		
Voltage	Resistive load	Inductive load
<b>AC</b>	A	A
up to 250	16	12

Recommended Max. Electrical Ratings		
Voltage	Resistive load	Inductive load
<b>DC</b>	A	A
up to 30	5	3
50	1	1
75	0.75	0.75

Recommended Max. Electrical Ratings		
Voltage	Resistive load	Inductive load
<b>DC</b>	A	A
up to 30	16	16
50	3	1.5
75	1	0.6
125	0.5	0.3
250	0.3	0.2

## Standard Joysticks Available

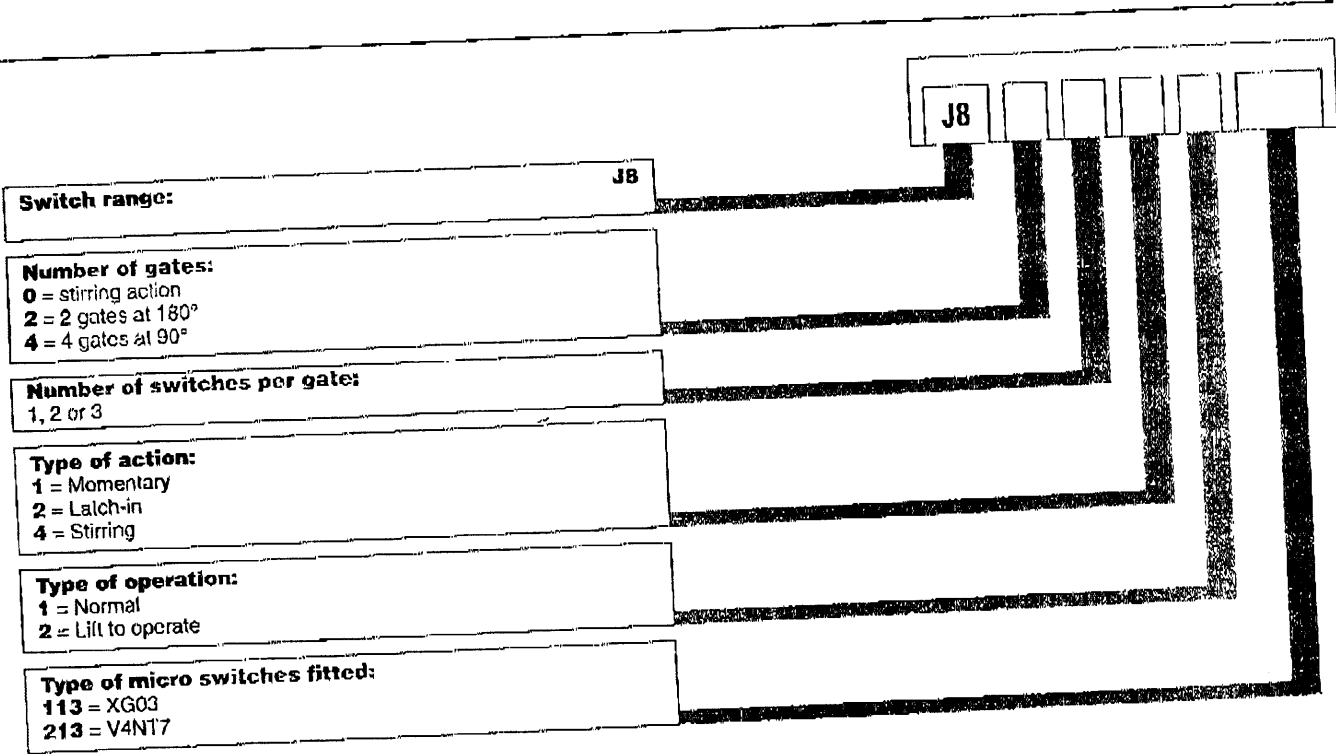
# JOYSTICK CONTROLLERS

Range	Number of Gates	Switches per Gate	Type of Operations	V4NT7 Switch		XG03 Switch	
				Momentary Action	Latch-in Action	Momentary Action	Latch-in Action
J80	0 stirring action	4 switches at 90° pitch	Normal	J80 141 213		J80 141 113	
			Normal Lift	J82 111 213	J82 121 213	J82 111 113 J82 112 113	J82 121 113
J82	2	2	Normal			J82 211 113	
			Lift	J82 212 213			
		3	Normal				
			Lift		J82 322 213		
1	Normal	J84 111 213		J84 111 113	J84 121 113		
	Lift			J84 112 113			
J84	4	2	Normal	J84 211 213		J84 211 113	
			Lift			J84 212 113	
		3	Normal		J84 321 213		
			Lift		J84 322 213		

For other versions, please contact SAIA-Burgess Electronics.

# JOYSTICK CONTROLLERS

## Ordering References



## Specifications

### Housing:

TPS1 }  
TPS2 } Flame retardant polycarbonate  
DS3 }  
DS1 }  
DS6 } Backing plate mild steel zinc plate

### Plunger:

TPS1 }  
TPS2 } ABS polymer  
DS1 }  
DS3 } Stainless steel  
DS6 }

### Mechanism:

TPS1 }  
TPS2 } Single pole changeover  
DS1 }  
DS3 } Single pole changeover  
DS6 } Double pole changeover

### Contacts:

Fine silver

### Terminals:

TPS1 }  
TPS2 } Screws with clamps  
DS1 }  
DS3 } Solder tags  
DS6 }

### Temperature range:

-10°C to +85°C

### Mechanical life:

TPS1 }  
TPS2 } 10<sup>7</sup> cycles minimum  
DS1 }  
DS3 } 10<sup>6</sup> cycles minimum  
DS6 } (Impact free actuation)

### Type of protection:

IP40 (Insert switch)

### Approvals:

TPS1 }  
TPS2 } UL  
DS1 }  
DS3 } CSA UL  
DS6 }

### TPS1/TPS2

Recommended Max. Electrical Ratings		
Voltage	Resistive load	Inductive load
<b>AC</b>	A	A
up to		
250	15	5
380	10	5

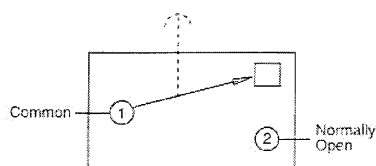
Recommended Max. Electrical Ratings		
Voltage	Resistive load	Inductive load
<b>DC</b>	A	A
up to		
15	15	10
30	5	5
50	1	0.5
75	0.75	0.3

### DS1/DS3/DS6

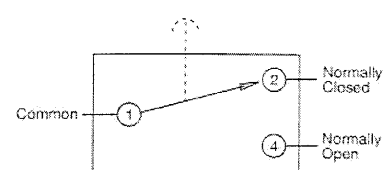
Recommended Max. Electrical Ratings		
Voltage	Resistive load	Inductive load
<b>AC</b>	A	A
up to		
250	10	10

Recommended Max. Electrical Ratings		
Voltage	Resistive load	Inductive load
<b>DC</b>	A	A
up to		
30	10	10
50	3	2.5
75	1	0.5

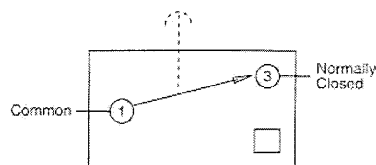
Circuit diagram TPS1



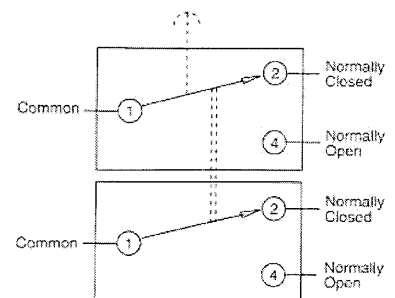
Circuit diagram DS1/DS3



Circuit diagram TPS2



Circuit diagram DS6



## X-ON Electronics

Largest Supplier of Electrical and Electronic Components

*Click to view similar products for [Input Devices](#) category:*

*Click to view products by [Saia-Burgess](#) manufacturer:*

Other Similar products are found below :

[80260-08](#) [M11L0A1](#) [M11L0B1M](#) [M21L0H1PX](#) [M41C091P100](#) [80260-00](#) [81521-08](#) [FKB4720-103](#) [84250-26](#) [84980-04](#) [84S-AC1-000](#)  
[C10O0C1P](#) [JD-0700EU-2](#) [JM-0800-2](#) [JOY-THUMB](#) [JW-T0100](#) [89498-13](#) [89758-05](#) [89886-26](#) [89941-00](#) [FQ-XT](#) [G3-A1AM151NNNN](#)  
[G80-3000LSCEU-2](#) [M11C011B](#) [TH500P00D4](#) [MJ0FGGRY](#) [JM-0800-0](#) [KBCV-4100W](#) [MR2110R5BB](#) [60C22-M7-4-020S](#) [67A-DF-3C-](#)  
[060C](#) [84S-BB1-004](#) [81601-26](#) [G8011900LPMUS0](#) [G844420LUBEU0](#) [G84-4700LUCUS-0](#) [89701-26](#) [81485-26](#) [84105-13](#) [V400-W24 5M](#)  
[V400-W23 5M](#) [G84-5200LCMEU-2](#) [M11F061P](#) [84Z2029-100](#) [4P182F1D0100](#) [M41L091M](#) [M41L091P](#) [60A00-8-050C](#) [84Z2029-78](#)  
[XD2CF1111](#)