

62035-X1X M19500/519
M19500/520
M19500/521

**JAN AND JANTX QUALIFIED,
PANEL MOUNT HERMETIC
LED INDICATORS**



04/27/2012

Features:

- Hermetically sealed
- Choice of colors (Red, Yellow, Green)
- Wide Viewing Angle
- Panel Mount with wire wrappable leads
- Designed for Hi-Reliability applications
- DLA qualified

Applications:

- P.C. Board Fault Indicator
- Logic Status Indicator
- Binary Data Display
- Power supply on/off indicator

DESCRIPTION

The **62035-X1X** series indicators contain a hermetically sealed visible LED in a TO-46 packages with a tinted diffused dome lens to provide good on/off contrast and a wide viewing angle. The /519 (red) and /520 (yellow) indicators utilize a high efficiency GaAsP on GaP LED, while the /521 (green) indicator utilizes a GaP on GaP LED. Each type uses a colored diffused plastic lens over a glass window. All versions are available in standard, JAN or JANTX screened levels.

ABSOLUTE MAXIMUM RATINGS

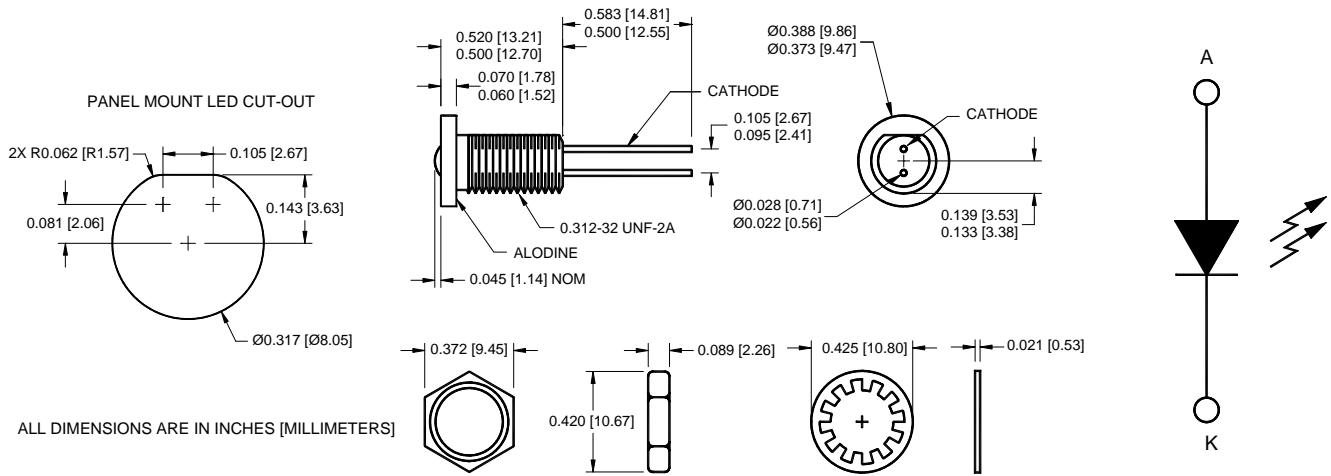
Reverse Voltage	5 Vdc
Power Dissipation (Note 1)	120 mW
Forward Current-Continuous	35 mA
Storage Temperature.....	-65°C to +100°C
Operating Temperature	-55°C to +100°C
Lead Soldering Temperature (10 seconds, 1/16" from case).....	260°C
Maximum Mounting Torque (Panel mount version).....	25 in•lbs

NOTES :

1. Derate at the rate of 1.6 mW/°C above 50°C.

Panel Mount Dimensions

Schematic Diagram



NOTES:

1. ALL EXTERNAL METAL SURFACES OF THE PACKAGE ARE BLACK ANODIZED EXCEPT FOR THE ALODINE AREA OF THE FLANGE AND THE GOLD-PLATED LEADS.
2. MOUNTING HARDWARE WHICH INCLUDES ONE LOCK WASHER AND ONE HEX NUT IS INCLUDED WITH EACH PANEL MOUNTABLE HERMETIC SOLID STATE LAMP.

62035-X1X M19500/519
M19500/520
M19500/521

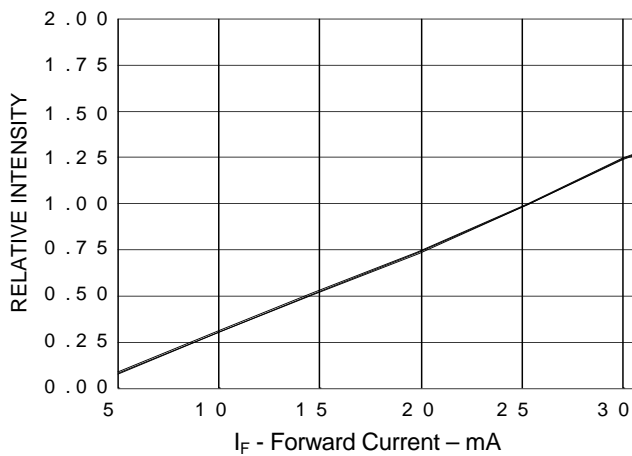
JAN AND JANTX QUALIFIED, PANEL MOUNT HERMETIC LED INDICATORS

04/27/2012

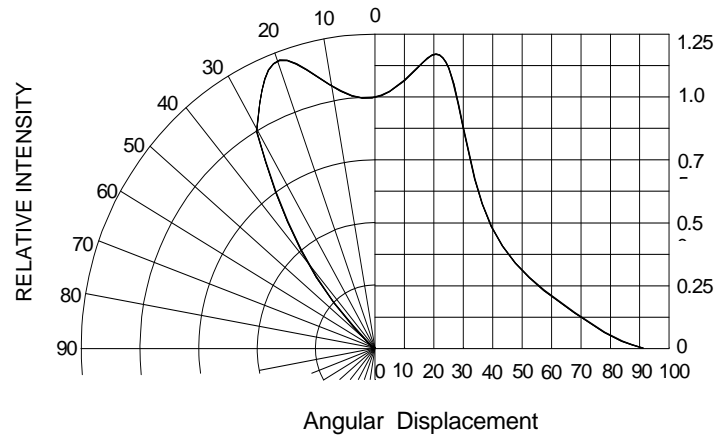
ELECTRICAL/OPTICAL CHARACTERISTICS TA=25°C

PART NUMBER	COLOR	TEST CONDITION	PARAMETER LIMITS				
			I_F mA	PEAK λ TYP.	$I_{V1} \theta = 0^\circ$ MIN.	$I_{V2} \theta = 30^\circ$ MIN.	V_F MAX.
62035-11X	RED	20	635	3 mcd	1.5 mcd.	3 V	100 pF
62035-21X	YELLOW	20	585	3 mcd	1.5 mcd.	3 V	100 pF
62035-31X	GREEN	20	570	3 mcd	1.5 mcd.	3 V	100 pF

Relative Luminous Intensity vs Forward Current
(Normalized at 20 mA)



Relative Luminous Intensity vs. Angular Displacement



RECOMMENDED OPERATING CONDITIONS:

PARAMETER	SYMBOL	MIN	MAX	UNITS
Forward	I_F	20	35	mA
Operating Temperature	T_A	-65	+100	°C

SELECTION GUIDE

PART NUMBER	PART DESCRIPTION	CONTROLLING MIL DOCUMENT
62035-111	Commercial, Red LED, Panel Mount	M19500/519
62035-112	JAN Screened, Red LED, Panel Mount	M19500/519-01
62035-113	JANTX Screened, Red LED, Panel Mount	M19500/519-02
62035-211	Commercial, Yellow LED, Panel Mount	M19500/520
62035-212	JAN Screened, Yellow LED, Panel Mount	M19500/520-01
62035-213	JANTX Screened, Yellow LED, Panel Mount	M19500/520-02
62035-311	Commercial, Green LED, Panel Mount	M19500/521
62035-312	JAN Screened, Green LED, Panel Mount	M19500/521-01
62035-313	JANTX Screened, Green LED, Panel Mount	M19500/521-02

X-ON Electronics

Largest Supplier of Electrical and Electronic Components

Click to view similar products for [Standard LEDs - Through Hole category](#):

Click to view products by [Micropac manufacturer](#):

Other Similar products are found below :

[LTL-10254W](#) [LTL-1214A](#) [LTL-1BEDJ](#) [LTL-2231AT](#) [LTL-3251A](#) [LTL-4262N](#) [LTL-5234](#) [LTL87HTBK](#) [LTW-87HD4B](#) [7383/V7C3-BSTA-L/PR3/MS](#) [G22041431007J2C000](#) [HLMP-AG64-X10ZZ](#) [HLMP-EG1A-Z10DV](#) [HLMP-EL3B-WXKDD](#) [HLMP-HB74-UVBDD](#) [HLMP-HG65-VY0DD](#) [HLMP-HM74-34CDD](#) [HLMP-HM75-34CDD](#) [1L0532V23G0TD001](#) [NSPW500CS](#) [C4SMA-BGF-CQ34Q3C2](#) [L53GC13](#) [264-7SURTS530-A3](#) [L-C150JRCT](#) [S4SMS-BJF-CQ42QGF2](#) [S4SMS-GJF-CW12QMF2](#) [LD CQDP-1U3U-W5-1-K](#) [LNX998CKBDA](#) [LO566UHR3-70G-A3](#) [SLA560WBD2PT3](#) [LP379PPG1C0G0300001](#) [SLR-322MCT32](#) [SLR-342DUT32](#) [SLR-342MC3F](#) [SLR343BC7TT32](#) [SLR343BCTT32](#) [SLX-LX3044GD](#) [SLX-LX3044ID](#) [SLX-LX3044YD](#) [SNW-LX504SRC/4](#) [1.90690.3330000](#) [SSL-LX20483ID](#) [SSL-LX3034YD](#) [SSL-LX5093LGT-11](#) [SSL-LX5093PGC](#) [SSL-LX5093SRC/F](#) [SSL-LX5093SYT](#) [SSL-LX5099SRSGC-CA](#) [SSL-LX509E3SIT](#) [SSL-LX509FT3ID](#)