

# PNP Power Silicon Transistor

## 2N3740 & 2N3741



### Features

- Available in JAN, JANTX, JANTXV and JANS per MIL-PRF-19500/441
- TO-66 (TO-213AA) Package



### Maximum Ratings

Ratings	Symbol	2N3740	2N3741	Units
Collector - Emitter Voltage	$V_{CEO}$	60	80	Vdc
Collector - Base Voltage	$V_{CBO}$	60	80	Vdc
Emitter - Base Voltage	$V_{EBO}$	7.0		Vdc
Base Current	$I_B$	2.0		Adc
Collector Current	$I_C$	4.0		Adc
Total Power Dissipation @ $T_A = +25\text{ }^\circ\text{C}$ @ $T_C = +100\text{ }^\circ\text{C}$	$P_T$	3	14	W
Operating & Storage Temperature Range	$T_{op}, T_{stg}$	-65 to +200		$^\circ\text{C}$
Thermal Resistance, Junction-to-Case	$R_{\theta JC}$	7.0		$^\circ\text{C/W}$

### Electrical Characteristics ( $T_C = 25^\circ\text{C}$ unless otherwise noted)

OFF Characteristics	Symbol	Minimum	Maximum	Units
Collector - Emitter Breakdown Voltage $I_C = 100\text{ mA}$ 2N3740 2N3741	$V_{(BR)CEO}$	60 80	---	Vdc
Collector - Emitter Cutoff Current $V_{CE} = 40\text{ Vdc}$ $V_{CE} = 60\text{ Vdc}$ 2N3740 2N3741	$I_{CEO}$	---	10 10	$\mu\text{Adc}$
Collector - Emitter Cutoff Current $V_{CE} = 60\text{ Vdc}, V_{BE} = 1.5\text{ Vdc}$ $V_{CE} = 80\text{ Vdc}, V_{BE} = 1.5\text{ Vdc}$ 2N3740 2N3741	$I_{CEX}$	---	300 300	nAdc
Collector - Base Cutoff Current $V_{CB} = 60\text{ Vdc}$ $V_{CB} = 80\text{ Vdc}$ 2N3740 2N3741	$I_{CBO}$	---	100 100	nAdc
Emitter - Base Cutoff Current $V_{EB} = 7.0\text{ Vdc}$	$I_{EBO}$	---	100	nAdc

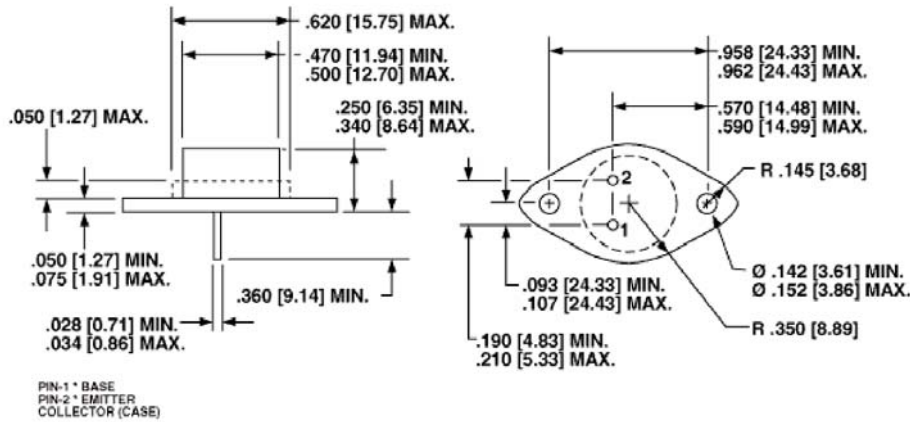


**Electrical Characteristics -con't**

<b>ON Characteristics (1)</b>				
	Symbol	Minimum	Maximum	Unit
Forward Current Transfer Ratio $I_C = 100 \text{ mAdc}, V_{CE} = 1.0 \text{ Vdc}$ $I_C = 250 \text{ mAdc}, V_{CE} = 1.0 \text{ Vdc}$ $I_C = 500 \text{ mAdc}, V_{CE} = 1.0 \text{ Vdc}$ $I_C = 1.0 \text{ Adc}, V_{CE} = 1.0 \text{ Vdc}$ $I_C = 4.0 \text{ Adc}, V_{CE} = 5.0 \text{ Vdc}$	$H_{FE}$	40 30 20 10 3	120	
Collector - Emitter Saturation Voltage $I_C = 250 \text{ mAdc}, I_B = 25 \text{ mAdc}$ $I_C = 1.0 \text{ Adc}, I_B = 1.25 \text{ mA}$	$V_{CE(sat)}$	--- ---	0.4 0.6	Vdc
Base - Emitter Voltage $I_C = 250 \text{ mAdc}, V_{CE} = 1 \text{ Vdc}$	$V_{BE(on)}$	---	1.0	Vdc
<b>DYNAMIC Characteristics</b>				
Magnitude of Common Emitter Small-Signal Short-Circuit Forward Current Transfer Ratio $I_C = 100 \text{ mAdc}, V_{CE} = 10.0 \text{ Vdc}, f = 5.0 \text{ MHz}$	$ h_{fe} $	1	12	
Small-Signal Short-Circuit Forward Current Transfer Ratio $I_C = 50 \text{ mAdc}, V_{CE} = 10.0 \text{ Vdc}, f = 1.0 \text{ kHz}$	$h_{fe}$	25	250	
Output Capacitance $V_{CB} = 10 \text{ Vdc}, I_E = 0, 100 \text{ kHz} \leq f \leq 1.0 \text{ MHz}$	$C_{obo}$	---	100	pF
<b>SWITCHING Characteristics</b>				
Turn-On Time $V_{CC} = 30 \text{ Vdc}, I_C = 1.0 \text{ Adc}, I_B = 0.1 \text{ Adc}$	$t_{on}$	---	400	$\mu\text{s}$
Turn-off Time $V_{CC} = 30 \text{ Vdc}, I_C = 1.0 \text{ Adc}, I_{B1} = -I_{B2} = 0.1 \text{ Adc}$	$t_{off}$	---	1.0	$\mu\text{s}$
<b>SAFE OPERATING AREA</b>				
<b>DC Tests:</b>	$T_C = +25 \text{ }^\circ\text{C}, 1 \text{ Cycle}, t = 1.0 \text{ s}$			
<b>Test 1:</b>	$V_{CE} = 6.25 \text{ Vdc}, I_C = 4.0 \text{ Adc}$			
<b>Test 2:</b>	$V_{CE} = 20 \text{ Vdc}, I_C = 1.25 \text{ Adc}$			
<b>Test 3:</b>	$V_{CE} = 50 \text{ Vdc}, I_C = 150 \text{ mAdc}$	2N3740		
	$V_{CE} = 65 \text{ Vdc}, I_C = 150 \text{ mAdc}$	2N3741		

(1) Pulse Test: Pulse Width = 300  $\mu\text{s}$ , Duty Cycle  $\leq 2.0\%$ .

Outline Drawing



NOTE: Dimensions in Inches [mm]

**Aeroflex / Metelics, Inc.**

975 Stewart Drive,  
Sunnyvale, CA 94085  
Tel: (408) 737-8181  
Fax: (408) 733-7645

Sales: 888-641-SEMI (7364)

**Hi-Rel Components**

9 Hampshire Street,  
Lawrence, MA 01840  
Tel: (603) 641-3800  
Fax: (978) 683-3264

[www.aeroflex.com/metelics-hirelcomponents](http://www.aeroflex.com/metelics-hirelcomponents)

54 Grenier Field Road,  
Londonderry, NH 03053  
Tel: (603) 641-3800  
Fax: (603)-641-3500

ISO 9001: 2008 certified companies

[www.aeroflex.com/metelics](http://www.aeroflex.com/metelics)      [metelics-sales@aeroflex.com](mailto:metelics-sales@aeroflex.com)

Aeroflex / Metelics, Inc. reserves the right to make changes to any products and services herein at any time without notice. Consult Aeroflex or an authorized sales representative to verify that the information in this data sheet is current before using this product. Aeroflex does not assume any responsibility or liability arising out of the application or use of any product or service described herein, except as expressly agreed to in writing by Aeroflex; nor does the purchase, lease, or use of a product or service from Aeroflex convey a license under any patent rights, copyrights, trademark rights, or any other of the intellectual rights of Aeroflex or of third parties.

Copyright 2011 Aeroflex / Metelics. All rights reserved.



Our passion for performance is defined by three attributes represented by these three icons: solution-minded, performance-driven and customer-focused.

## X-ON Electronics

Largest Supplier of Electrical and Electronic Components

*Click to view similar products for [Bipolar Transistors - BJT category](#):*

*Click to view products by [Aeroflex manufacturer](#):*

Other Similar products are found below :

[619691C](#) [MCH4017-TL-H](#) [MJ15024/WS](#) [MJ15025/WS](#) [BC546/116](#) [BC556/FSC](#) [BC557/116](#) [BSW67A](#) [HN7G01FU-A\(T5L,F,T](#)  
[NJVMJD148T4G](#) [NSVMMBT6520LT1G](#) [NTE187A](#) [NTE195A](#) [NTE2302](#) [NTE2330](#) [NTE2353](#) [NTE316](#) [IMX9T110](#) [NTE63](#) [NTE65](#)  
[C4460](#) [SBC846BLT3G](#) [2SA1419T-TD-H](#) [2SA1721-O\(TE85L,F\)](#) [2SA1727TLP](#) [2SA2126-E](#) [2SB1202T-TL-E](#) [2SB1204S-TL-E](#) [2SC5488A-](#)  
[TL-H](#) [2SD2150T100R](#) [SP000011176](#) [FMC5AT148](#) [2N2369ADCSM](#) [2SB1202S-TL-E](#) [2SC2412KT146S](#) [2SC4618TLN](#) [2SC5490A-TL-H](#)  
[2SD1816S-TL-E](#) [2SD1816T-TL-E](#) [CMXT2207 TR](#) [CPH6501-TL-E](#) [MCH4021-TL-E](#) [BC557B](#) [TTC012\(Q\)](#) [BULD128DT4](#) [JANTX2N3810](#)  
[Jantx2N5416](#) [US6T6TR](#) [KSF350](#) [068071B](#)