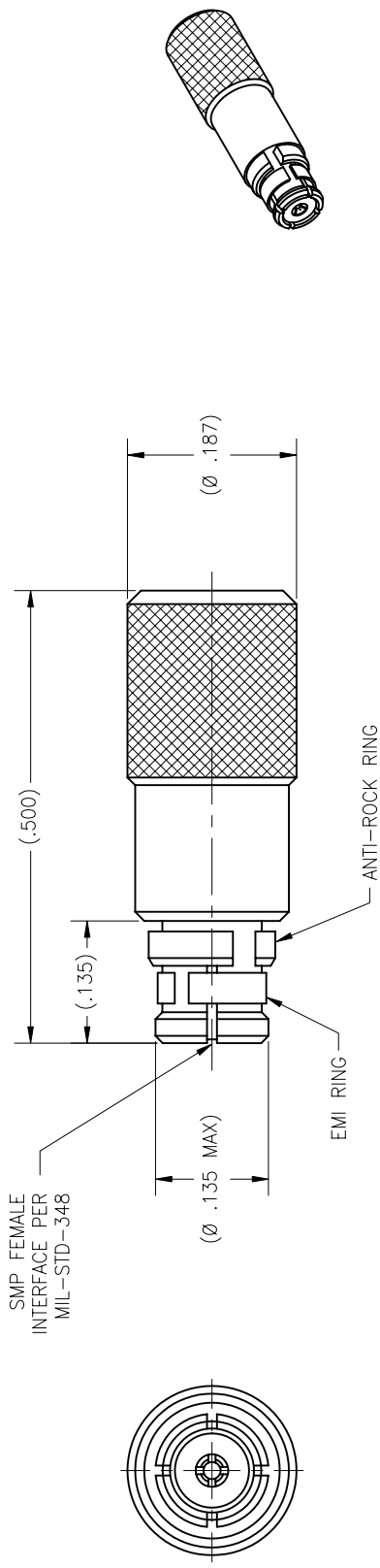


P/N	REVISIONS		
-1CC	ZONE	REV	DESCRIPTION
	-	G	ECO 12055
	-	H	ECO 19689
	-	J	ECO 19918
			DATE
			08.02.00
			10.20.06
			01.24.07
			BY
			DKN
			SLM
			DKN



DRAWING NO. P918
REV. J

MATERIAL: Body, EMI Ring & Anti-Rock Ring: BeCu alloy per ASTM B-196. Center Conductor: BeCu alloy per ASTM B-196. Dielectric: PTFE per ASTM D-1710. Insert: Brass alloy C360 per ASTM B-16. Epoxy: Sigma VF Type HV.	ELECTRICAL: Impedance: 50 Ohms nominal. Frequency Range: DC to 18.0 GHz. VSWR: 1.35:1 max to 18GHz Power Handling: 20dBm max.	MECHANICAL: Mating Characteristics: Interface per Mil-Std-348. Force To Engage & Disengage: Depend on Detent Center Contact Retention: Axial Force: 6 pounds min. Connector Durability: Depend on Detent Permeability: Less than 2.0 mu.	ENVIRONMENTAL: Temperature Range: -65°C to +125°C. Thermal Shock: Mil-Std-202, Method 107, Test Cond. B. Moisture Resistance: Mil-Std-202, Method 106, except step 7b shall be omitted. Insulation resistance at least 1000 MegOhms within 5 minutes after removal from humidity. Corrosion: Mil-Std-202, Method 101, Test Cond. B. Vibration: Mil-Std-202, Method 204, Test Cond. D. Shock: Mil-Std-202, Method 213, Test Cond. I.
---	--	---	---

FINISH: Body, Insert, Contact, EMI Ring & Anti-Rock Ring: Gold plate per ASTM B-488, over nickel under plate per AMS-QQ-N-290.	APPLICABLE TENSOLITE DOCUMENTS	TOLERANCES AND NOTES						
	<table border="1"> <tr> <td>WORK STD</td> <td>PROD INST</td> <td>ASSY INST</td> </tr> <tr> <td>NA</td> <td>NA</td> <td>NA</td> </tr> </table>	WORK STD	PROD INST	ASSY INST	NA	NA	NA	<p>DIMENSIONS ARE IN INCHES</p> <p>LINEAR .XX ± 0.015 ANGULAR ± 1/2° FRACTION 1/32</p> <p>1. MACHINE FINISH: R16S</p> <p>2. BREAK ALL SHARP EDGES .003 MAX.</p> <p>3. MACHINED FILLETS .0005 MAX.</p> <p>4. MACHINED SURFACES SQUARE TO ADJACENT SURFACES UNLESS OTHERWISE SPECIFIED.</p> <p>5. MACHINED DIAMETERS CONCENTRIC WITHIN DIMENSIONS TO BE MET BEFORE PLATING.</p> <p>6. DIMENSIONS TO BE MET BEFORE PLATING.</p> <p>7. DIMENSIONS TO BE MET AFTER PLATING.</p> <p>8. REMOVE FRAMED EDGES ON TELON.</p> <p>9. REMOVE FRAMED EDGES ON TELON.</p> <p>10. REMOVE ALL BORES.</p>
WORK STD	PROD INST	ASSY INST						
NA	NA	NA						
		<p>DATE 06.23.98</p> <p>DRAWN BY ATV</p> <p>CHECKED</p> <p>QUALITY</p> <p>ENGINEERING ATV</p> <p>SCALE 10/1</p> <p>TITLE SMP FEMALE STRAIGHT TO 50 OHM LOAD TERMINATION</p> <p>SUB-DIRECTORY/FILENAME 01PXXX.0LP918</p> <p>CASE CODE C 30990</p> <p>DRAWING NO. P918</p> <p>SHEET 1 OF 1</p> <p>REV. J</p>						

X-ON Electronics

Largest Supplier of Electrical and Electronic Components

Click to view similar products for [RF Connectors / Coaxial Connectors](#) *category:*

Click to view products by [Carlisle Interconnect Technologies](#) *manufacturer:*

Other Similar products are found below :

[R125315120](#) [8915-1511-000](#) [89674-0827](#) [5916-1103-603](#) [0106-001-000](#) [6-0001-3](#) [6001-7071-019](#) [6002-7051-003](#) [6002-7551-202](#) [6059674-1](#) [619550-1](#) [630059-000](#) [M39012/25-0021](#) [M39012/79-3008](#) [M39030/3-01N](#) [M39030/3-03N](#) [M3933/25-29N](#) [M3933/25-36N](#) [6500-7071-046](#) [6501-1071-002](#) [M83723/72W24576](#) [M83723/72W2457N](#) [6769](#) [CX050L2AQ](#) [7002-1541-010](#) [7003-1572-002](#) [7004-1512-000](#) [7009-1511-004](#) [7010-1511-000](#) [7029-1511-060](#) [7101-1541-010](#) [7101-1571-002](#) [7105-1521-002](#) [7145-1521-002](#) [7209-1511-011](#) [7210-1511-012](#) [7210-1511-015](#) [7210-1511-019](#) [7210-1511-040](#) [7225-1512-050](#) [7242-1511-000](#) [73137-5015](#) [73216-2241](#) [73251-0111](#) [73251-0672](#) [73276-1501](#) [73366-0013](#) [73404-2300](#) [73413-6080](#) [734151610](#)