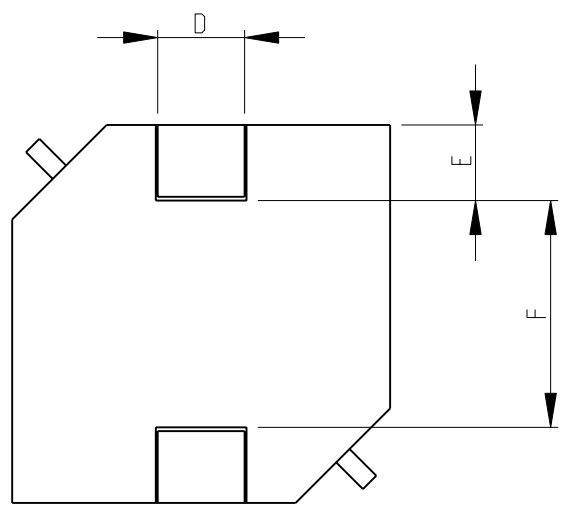
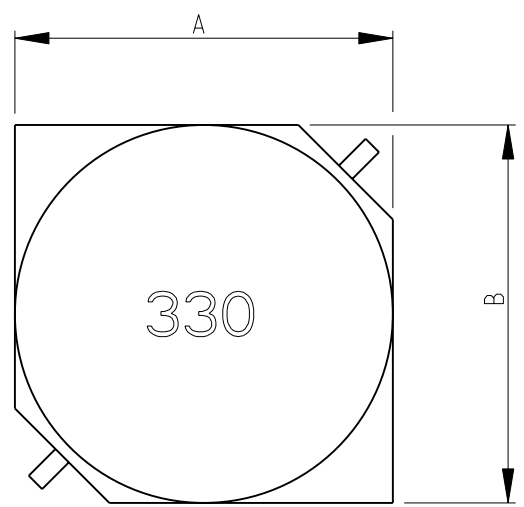
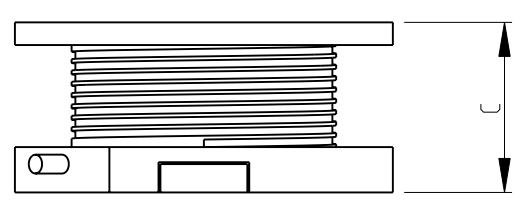


THIS DRAWING IS UNPUBLISHED. RELEASED FOR PUBLICATION 2008  
 © COPYRIGHT 2008 BY TYCO ELECTRONICS CORPORATION. ALL RIGHTS RESERVED.

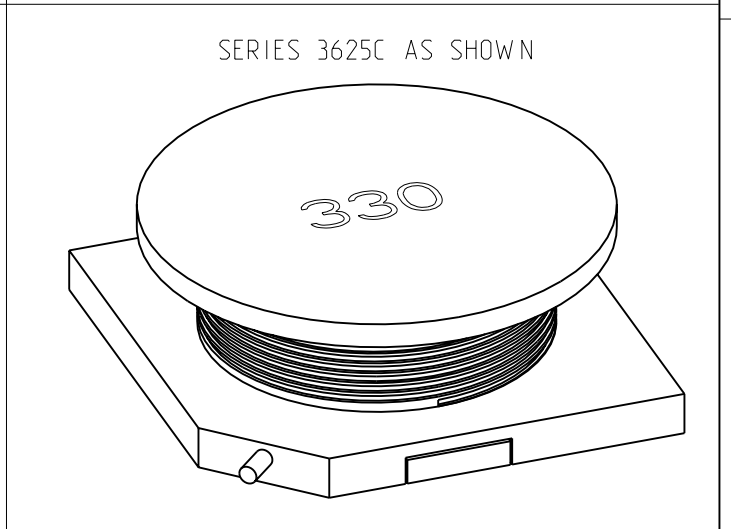
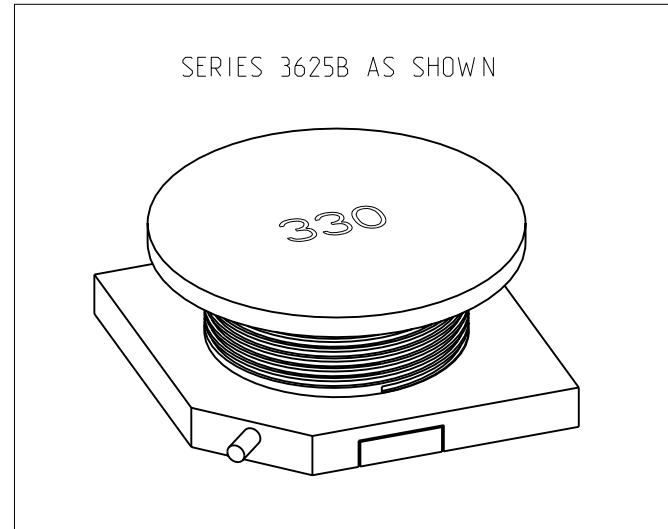
LOC	DIST	REVISIONS			
P	LTR	DESCRIPTION	DATE	DWN	APVD
E	B	A	NEW RELEASE	13-NOV-08	SM St.P



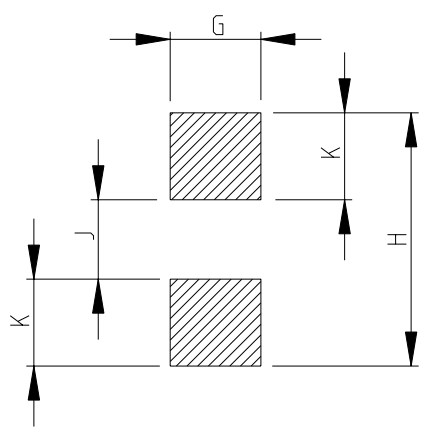
1 AVAILABLE IN 3 DIFFERENT SIZES.  
 2 FOR FURTHER INFORMATION SEE DATA SHEET FOR 3625 SERIES-SMD POWER INDUCTORS



RoHS Compliant



RECOMMENDED LAND PATTERN



2.6 REF.	8.4 REF.	13.6 REF.	3.6 REF.	8.6 REF.	2.0 TYP.	3.0 TYP.	4.80±0.3	12.7±0.3	12.7±0.3	3625C
2.4 REF.	5.6 REF.	10.4 REF.	2.8 REF.	6.0 REF.	2.0 TYP.	2.4 TYP.	4.5±0.3	10.0±0.3	10.0±0.3	3625B
2.3 REF.	2.1 REF.	6.7 REF.	2.4 REF.	2.2 REF.	1.9 TYP.	2.0±0.3	2.8±0.5	6.0±0.3	6.0±0.3	3625A
K	J	H	G	F	E	D	C	B	A	SERIES

THIS DRAWING IS A CONTROLLED DOCUMENT FOR TYCO ELECTRONICS CORPORATION. IT IS SUBJECT TO CHANGE AND THE CONTROLLING ENGINEERING ORGANIZATION SHOULD BE CONTACTED FOR THE LATEST REVISION.

DIMENSIONS:	TOLERANCES UNLESS OTHERWISE SPECIFIED:	DWN	13-NOV-08	Tyco Electronics Corporation Dorcan, Swindon, SN3 5HH			
mm		CHK	13-NOV-08				
		APVD	13-NOV-08	NAME <b>SMD POWER INDUCTOR</b> <b>SERIES 3625</b>			
		PRODUCT SPEC					
		APPLICATION SPEC		SIZE	CAGE CODE	DRAWING NO	RESTRICTED TO
		WEIGHT		A3	00779	1676963	-
MATERIAL	FINISH	CUSTOMER DRAWING		SCALE	SHEET	OF	REV
-	-			5:1	1	1	A

## X-ON Electronics

Largest Supplier of Electrical and Electronic Components

*Click to view similar products for [Fixed Inductors](#) category:*

*Click to view products by [TE Connectivity](#) manufacturer:*

Other Similar products are found below :

[MLZ1608M6R8WTD25](#) [MLZ1608N6R8LT000](#) [MLZ1608N3R3LTD25](#) [MLZ1608N3R3LT000](#) [MLZ1608N150LT000](#)

[MLZ1608M150WTD25](#) [MLZ1608M3R3WTD25](#) [MLZ1608M3R3WT000](#) [MLZ1608M150WT000](#) [MLZ1608A1R5WT000](#)

[MLZ1608N1R5LT000](#) [B82432C1333K000](#) [PCMB053T-1R0MS](#) [PCMB053T-1R5MS](#) [PCMB104T-1R5MS](#) [CR32NP-100KC](#) [CR32NP-](#)

[151KC](#) [CR32NP-180KC](#) [CR32NP-181KC](#) [CR32NP-1R5MC](#) [CR32NP-390KC](#) [CR32NP-3R9MC](#) [CR32NP-680KC](#) [CR32NP-820KC](#)

[CR32NP-8R2MC](#) [CR43NP-390KC](#) [CR43NP-560KC](#) [CR43NP-680KC](#) [CR54NP-181KC](#) [CR54NP-470LC](#) [CR54NP-820KC](#) [CR54NP-8R5MC](#)

[MGDQ4-00004-P](#) [MGDU1-00016-P](#) [MHL1ECTTP18NJ](#) [MHL1JCTTD12NJ](#) [PE-51506NL](#) [PE-53601NL](#) [PE-53630NL](#) [PE-53824SNLT](#) [PE-](#)

[62892NL](#) [PE-92100NL](#) [PG0434.801NLT](#) [PG0936.113NLT](#) [PM06-2N7](#) [PM06-39NJ](#) [HC2LP-R47-R](#) [HC2-R47-R](#) [HC3-2R2-R](#) [HC8-1R2-R](#)