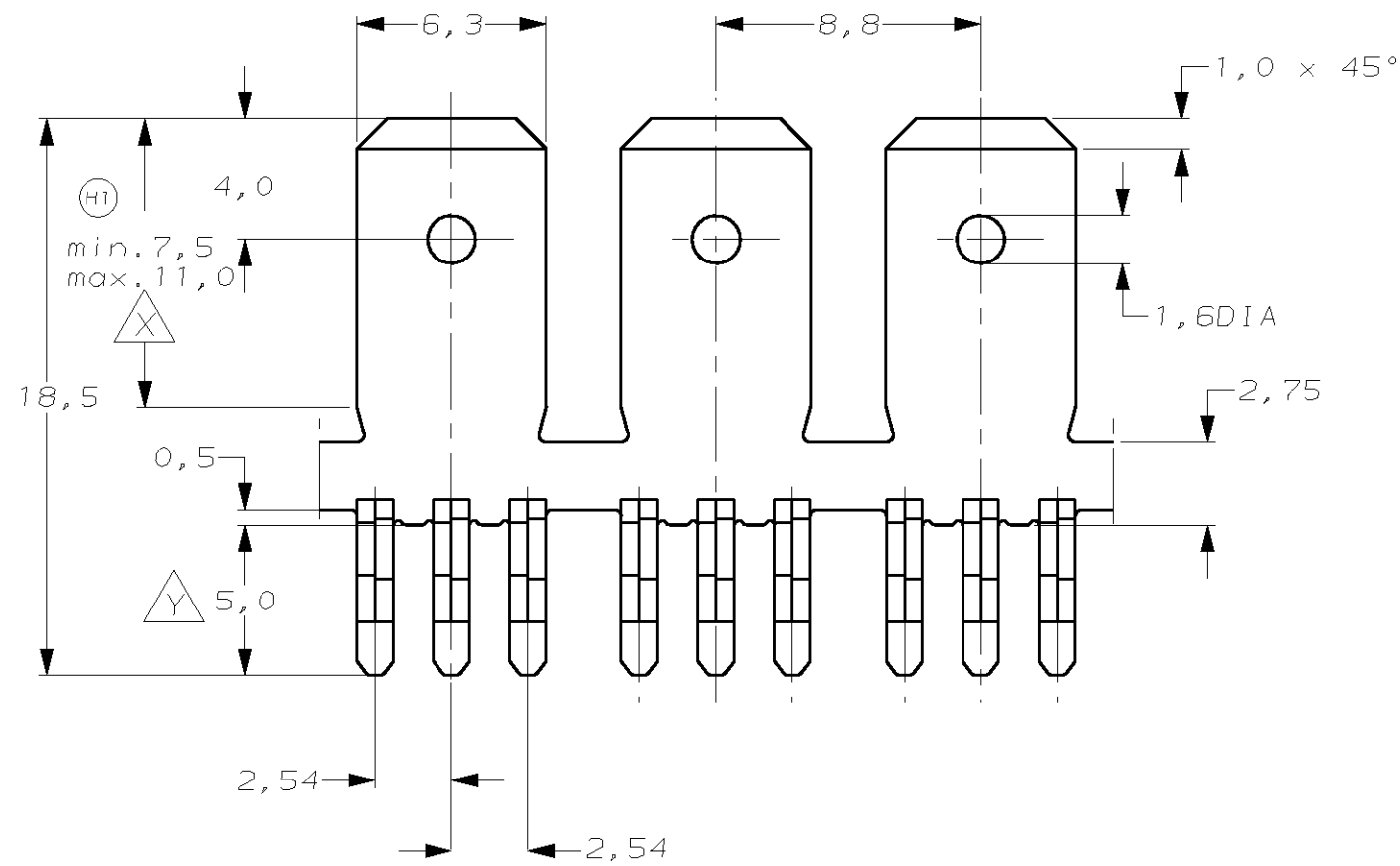
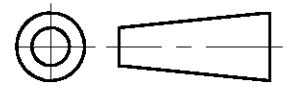


DO NOT SCALE

DIMENSIONS IN mm

METRIC

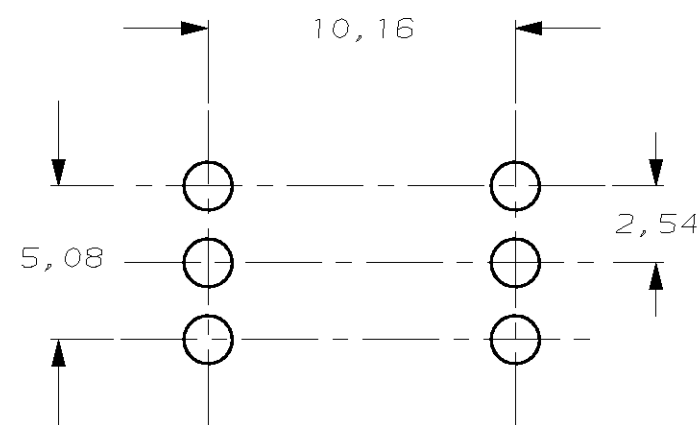
THIRD ANGLE  
PROJECTION



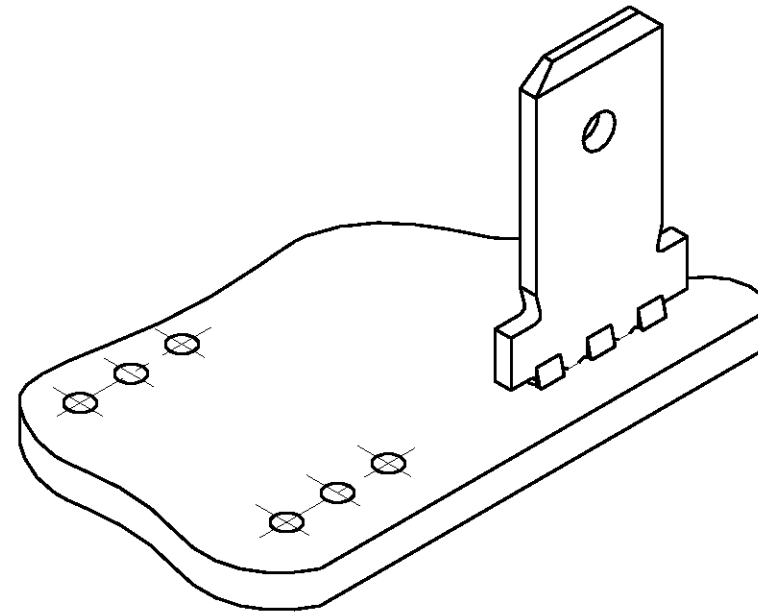
NOTES:

- 1 PHOSPHORBRONZE # 4 HD / THICKNESS 0,8mm
- 2 2,54µm Sn OVER  
1,25µm MIN. NICKEL.
- 3 PLATING: UNDERLAYER; 1,25µm-2,00µm NICKEL  
ZONE X ; 3µm Ag MIN.  
ZONE Y ; 2,54µm-5,00µm Sn
- 4 PLATING: 1.25 - 2.5 NICKEL OVER ALL  
ZONE X ; 1 - 3µm SN

J2



RECOMMENDED BOARD LAYOUT



P.C.B. HOLE DIM. ACTION PIN	
DRILLED HOLE	:1,6 ±0,025 mm
FIN. HOLE	:1,39 <sup>+0,15</sup> mm
AFTER REFLOW	:1,37 <sup>+0,15</sup> mm
Cu-thks	:0,025 to 0,075 mm
Sn-thks or SnPb-thks	:0,004 to 0,010 mm

REV.	LTTR.	ECN No.	DRW.	APVD	DATE	CHK.	DATE
-	-	-	-	-	-	-	-
J2		ECR-07-018177	Hassel	Bleicher	10-APR-07		
J1		Sn-thks or added	MAH.	ZITZ	21-MAY-03		
J		DIM. max. 11 ADD. Pb REM.	MAH.	ZITZ	24-APR-03		
H1		DIMENSION ADDED	MAH.		26-NOV-02		
H		EH00-1341-01	RvH		30-11-01		
E		EH00-0806-01	RvH		19-07-01		

REVISION RECORD

CUSTOMER DRAWING

**tyco** TYCO ELECTRONICS NEDERLAND B.V.  
**Electronics** 's-HERTOGENBOSCH, THE NETHERLANDS

THIS DRAWING IS UNPUBLISHED RELEASED FOR PUBLICATION - , 19-

© COPYRIGHT 19- BY AMP-HOLLAND B.V.  
ALL INTERNATIONAL RIGHTS RESERVED.  
AMP PRODUCTS MAY BE COVERED BY U.S. AND FOREIGN PATENTS AND/OR PATENTS PENDING.

DR.	DATE	WIRE RANGE	NAME	REV. DATE
J.v. LIEMPT.	02.01.90	-	.250 SRS TAB WITH ACTION-PIN FOR POSITIVE LOCK RECEPTACLE (FOR 1,6-3,2 P.C.B. THICKNESS)	D M Y
A. BIJNEN	30-11-01	-		30 11 01

APP.	DATE	SIZE	SHEET	DWG. No.	REV. LTR.
A. BIJNEN	30-11-01	A3	1 OF 1	C-216842	J2

## X-ON Electronics

Largest Supplier of Electrical and Electronic Components

*Click to view similar products for [Terminals](#) category:*

*Click to view products by [TE Connectivity](#) manufacturer:*

Other Similar products are found below :

[HT-13-10](#) [71M-250-32-NB](#) [01-2065-1-0216](#) [00581P0075](#) [M10-10RX](#) [M10BCK](#) [60205-1](#) [604200-1](#) [60598-1-CUT-TAPE](#) [60617-1-C](#) [60873-1](#) [M14-516R/SK](#) [M14-6RSX](#) [M18-10FLX](#) [M18-8FBX](#) [M18-8R/LX](#) [M18BCK](#) [61314-6-C](#) [61-S](#) [61-SN-A](#) [62-NBM-A](#) [63-S](#) [640179-1](#) [640917-2-CUT-TAPE](#) [6501550002](#) [66107-2-C](#) [66107-4-C](#) [696683-1](#) [696834-1](#) [696861-1](#) [696931-1](#) [696999-1](#) [M8-516RK](#) [M86700006](#) [MA250DMFMX-A](#) [701-2007](#) [701-2307](#) [701-7761-03](#) [70F-110-32-PB](#) [718-N-A](#) [71M-187-20-NBL](#) [71M-250-32-NBL](#) [72F-187-20-NBL](#) [72M-250-32-NBL](#) [7310](#) [73F-250-32](#) [73F-250-32-NBL](#) [73F-250-32-NL](#) [F14-10C](#) [F-1M](#)