

JB1113N DISPENSE CONTROLLER

OPERATING MANUAL

- Automotive
 - Semiconductor
 - Speakers
 - PCB Assembly
 - Medical Devices
 - Jewelry
 - Sensor Manufacturing
 - Connectors
 - Flat Panel Displays
 - SMT
 - General Automation
- And many, many more!



Overview

The JB1113N dispense controller, with its versatile design makes it perfectly suited for a wide variety of dispensing applications – from microdot deposits to large potting and filling.

A digital timer, variable from 0.01 to 31 seconds, comes as a standard feature. Foot pedal initiation can be set for either maintained or momentary operation.

It also comes with a suck-back feature to ensure low viscosity liquids do not drip making it suitable for all types of fluids.



All hoses and fittings, along with barrels and tips are already included, making the unit ready to use right out of the box!

Standard Accessories

Qty	Description	Reorder P/N	Qty/ Pack
1	Detachable Power Cord 110 Volts	560033-LF	1
1	Detachable Power Cord 220 Volts	560033E-LF	1
1	Detachable Power Cord 220 Volts	560033E-PLUG-LF	1
1	Barrel Stand	560751LF	1
1	Backhose w/Clamp & Barb Fit	560752	1
1	Foot Pedal Assembly	560027D	1
1	Barrel Adapter - 30cc - 3' (91.4cm) 1/4" Hose	5601466	1
1	Barrel Adapter - 5cc - 3' (91.4cm) 1/4" Hose	5601027	1
3	Barrel - 30cc - Bevel	5601004	10
3	Barrel - 5cc - Bevel	5601001	10
3	PE Piston - 30cc - Bevel	5601465	20
3	PE Piston - 5cc - Bevel	5601019	40
2	Tip Cap - Natural	5601054	10
2	Tapered Tip Double Helix - 14 Gage - Orange	5601263	25
2	Tapered Tip Double Helix - 16 Gage - Grey	5601264	25
2	Tapered Tip Double Helix - 18 Gage - Green	5601265	25
2	Tapered Tip Double Helix - 20 Gage - Pink	5601266	25
2	Tapered Tip Double Helix - 22 Gage - Blue	5601267	25
2	Tapered Tip Double Helix - 24 Gage - Red	5601268	25
2	Tip 1/2" Crimp Sealed - 20 Gage - Pink	5601201	25
2	Tip 1/2" Crimp Sealed - 21 Gage - Purple	5601202	25
2	Tip 1/2" Crimp Sealed - 22 Gage - Blue	5601203	25
2	Tip 1/2" Crimp Sealed - 23 Gage - Orange	5601204	25
2	Tip 1/2" Crimp Sealed - 25 Gage - Red	5601205	25
2	Tip 1/2" Crimp Sealed - 30 Gage - Lavender	5601208	25

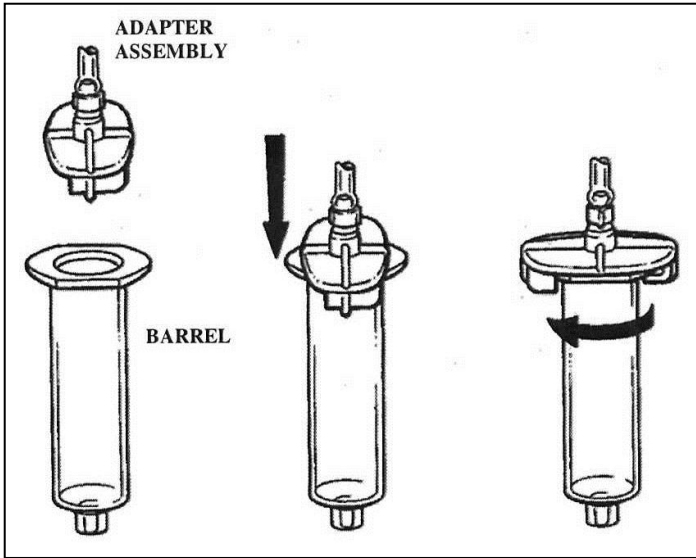
Specifications

• Size:	8 5/8" x 8 1/2" x 2 5/8" (22 x 21 x 6.7cm)
• Weight:	2.2 lbs. (1 kg)
• Input Voltage:	90-260 VAC
• Dispense Time:	0.01 - 31 seconds
• Internal Voltage:	24VDC
• Cycle Initiation:	Maintained or Momentary
• Cycle Speed:	600+/min
• Air Input:	70-100psi (5-7 bar)
• Air Output:	1-100psi (0.1-7 bar)
• Standards:	European CE approved unit
• Barrel "Suck-Back" Feature	

Ordering Guide

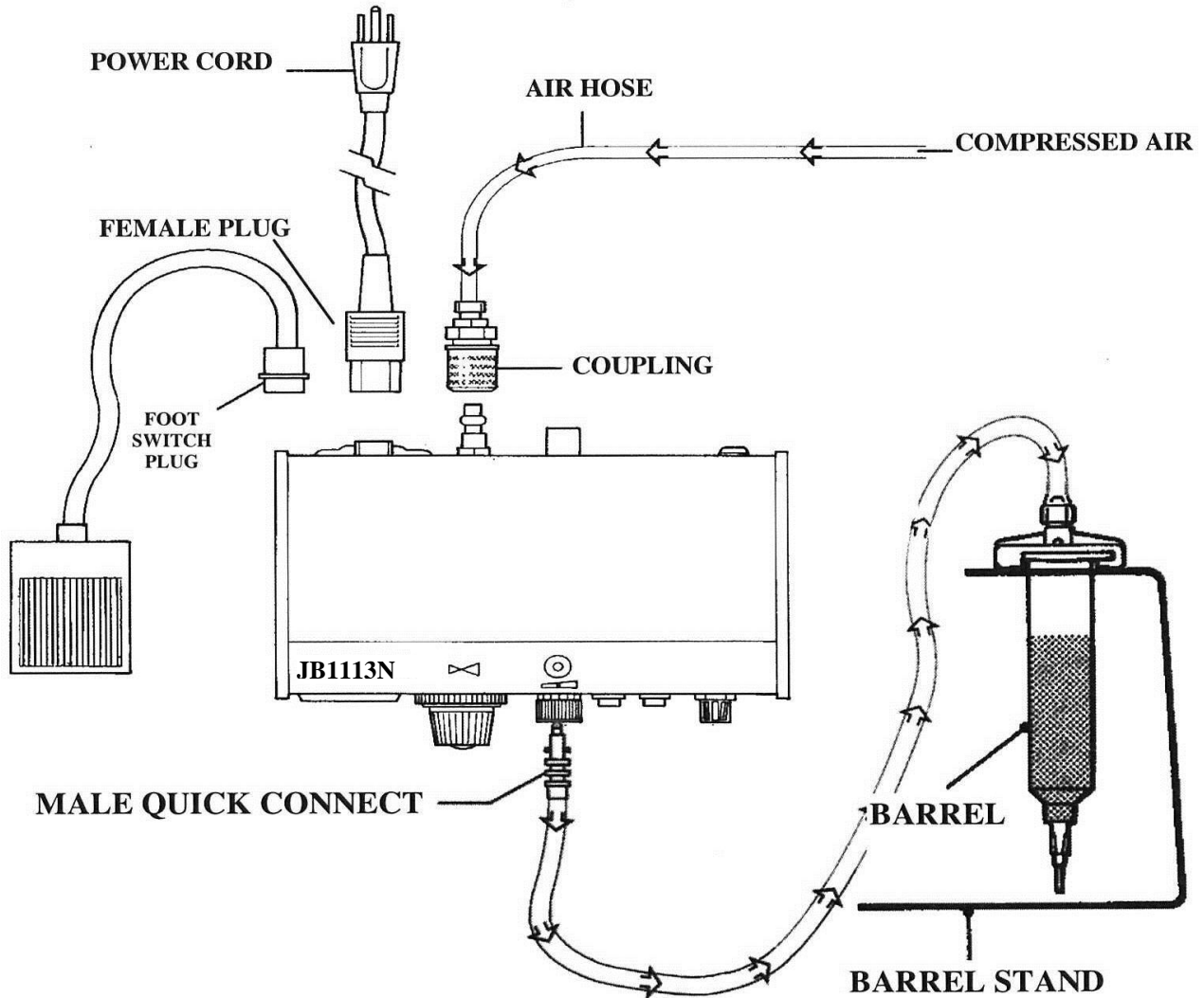
Part No	Description
JB1113N	Multi Voltage Dispenser

SETUP

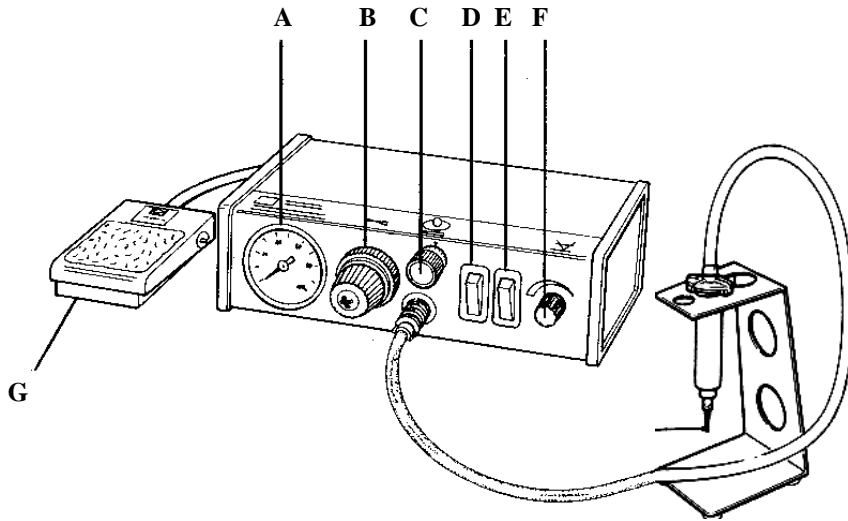


Instructions:

1. Connect the *air hose* to filtered compressed air of 70-100 psi (5-7 bar) pressure. Connect the *coupling* to the dispenser.
2. Insert the *foot switch plug* to the controller through the connector at the back.
3. Insert and twist *male quick connect* into dispenser.
4. Insert *power cord female plug* into dispenser and insert the *male plug* into a grounded outlet.
5. Fill barrel (with barrel tip cap on the barrel) with material to be dispensed and lock the barrel to the adapter assembly as shown.

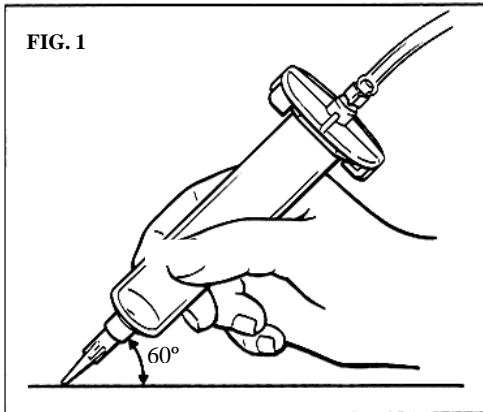


UNDERSTANDING THE FUNCTIONS OF YOUR DISPENSER DISPLAY

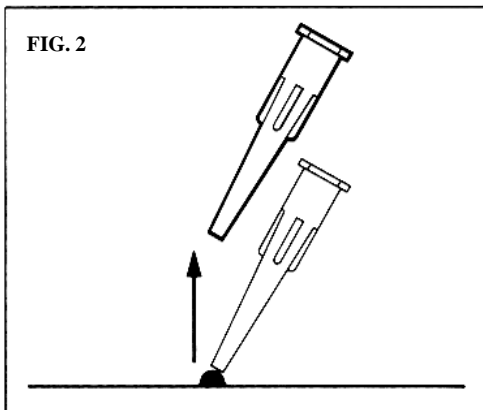
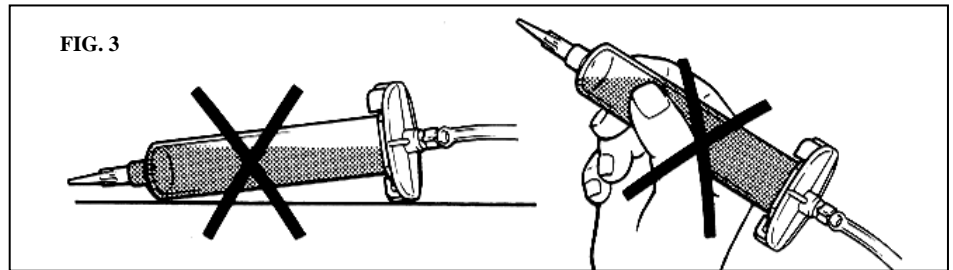


- A Pressure Gauge**
- Displays the current pressure setting.
- B Pressure Regulator**
- Sets the required pressure setting. Turn the knob clockwise to increase and counter-clockwise to decrease pressure as needed.
- C Timer Setting**
- Sets the required time setting when Timer Mode is on. Please note that the numbers indicated on the knob are for reference only.
- D Power Switch**
- Turns the unit on or off.
- E Timer Mode Switch**
- Toggles between operator control mode (light on) and timer mode (light off)
- F Vacuum Control**
- Turns on the vacuum.
- G Foot Pedal**
- Actuates the dispenser controller.

HELPFUL HINTS FOR MAKING DEPOSITS

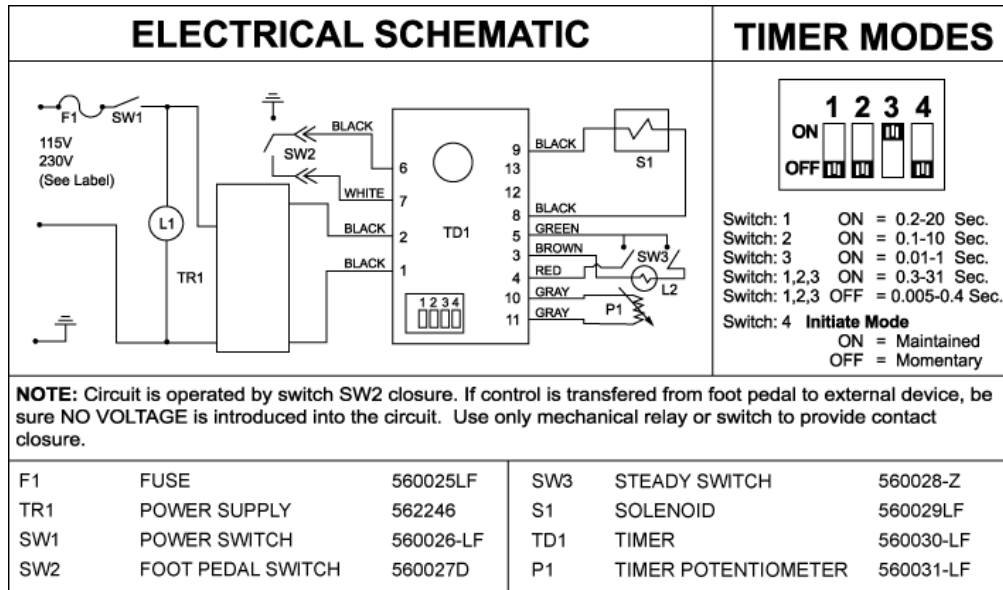


1. Hold the barrel at an approximately 60° (± 20°) angle (Fig. 1).
2. Lift the tip as vertical as possible (Fig. 2) after making the deposit.
3. Do not let the liquid flow back into the controller (Fig. 3.)



4. You may vary the shot size by doing one or a combination of the following:
 - Increasing or decreasing time only (C)
 - Increasing or decreasing pressure only (A) (B)
 - Increasing or decreasing size of tip
5. To increase pressure, turn the pressure regulator knob (B) clockwise and counter-clockwise to decrease it. When decreasing pressure, set the gauge first to less than the value desired and then just increase it as needed.
6. For thin liquids like water, you can prevent dripping by slowly turning the vacuum control (F) counter clockwise.

WARNING: Too much vacuum will cause air bubbles and suck liquid back into the controller thus creating permanent damage to the unit.



LIMITED WARRANTY

Manufacturer warrants this product to the original purchaser for a period of two (2) years from the date of purchase to be free from defects in material and workmanship, but not against damages caused by misuse, negligence, accident, faulty installation, abrasion, corrosion or by not operating in accordance with factory recommendations and instructions.

Manufacturer will repair or replace (at factory's option) free of charge, any component of the equipment thus found to be defective upon prepaid return of the equipment to the factory during the warranty period of the equipment. In no event shall any liability or obligation of Manufacturer arising from this warranty exceed the purchase price of the equipment. This warranty is valid only when the 5 micron filtered air is used.

The manufacturer's written liability, as stated herein, cannot be altered or enlarged except by a written statement signed by an officer of the company. In no event shall manufacturer be liable for consequential or incidental damages. A return authorization is required from FISNAR prior to shipping a defective unit to the factory.

Manufacturer reserves the right to make engineering or product modifications without notice.



15 Corporate Drive, Suite E - Wayne - NJ 07470
 Tel: (973) 646-5044 E-mail: info@fisnar.com
 www.fisnar.com

X-ON Electronics

Largest Supplier of Electrical and Electronic Components

Click to view similar products for [Solder](#) category:

Click to view products by [Fisnar](#) manufacturer:

Other Similar products are found below :

[91362-6](#) [24-6040-0007](#) [24-7150-8800](#) [24-9574-7619](#) [24-4060-2437](#) [14-6040-0125](#) [04-0595-0000](#) [9SN-310G](#) [5901004](#) [5901006](#) [8001111](#)
[ECC179707EU](#) [SMDLTLFP250T5](#) [41-096-0201N](#) [41-096-0242N](#) [ART.AGT-030](#) [8001263](#) [8001265](#) [389289](#) [54068](#) [0008752](#) [04-6040-0050](#)
[580140](#) [H560103-BULK](#) [H560106-BULK](#) [TDS12AS](#) [5601380](#) [BON-102](#) [BON-102F](#) [BON-102K](#) [BON-102S](#) [BR-102F](#) [560017A](#) [560048](#)
[560051](#) [560069W-LF](#) [5601034](#) [5601053](#) [5601056](#) [5601058](#) [5601157](#) [5601161](#) [5601170](#) [8001092](#) [5601213](#) [5601243](#) [0401-08-000179](#)
[5601247](#) [0401-08-000183](#) [5601277](#) [5601280](#) [JD927](#)