

THIS DRAWING IS UNPUBLISHED.

RELEASED FOR PUBLICATION

ALL RIGHTS RESERVED.

© COPYRIGHT - By -

LOC E DIST B

REVISIONS

P	LTR	DESCRIPTION	DATE	DWN	APVD
P		REVISED PER ECO-11-005150	21MAR11	RK	HMR

TECHNICAL SPECIFICATION

DISSIPATION AT 25°C

50 WATTS MOUNTED ON STANDARD HEATSINK R01 TO 50 K

BS OHMIC RANGE STABILITY

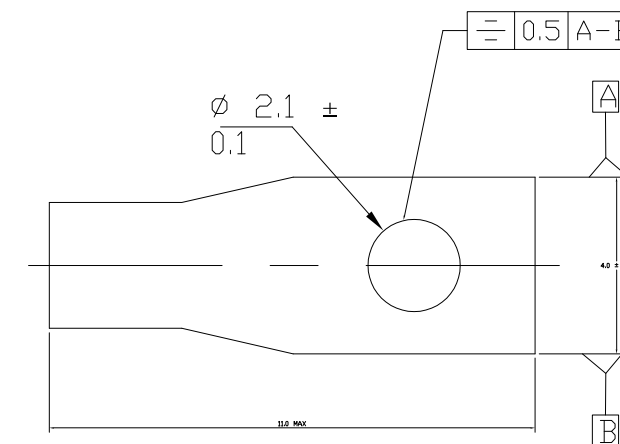
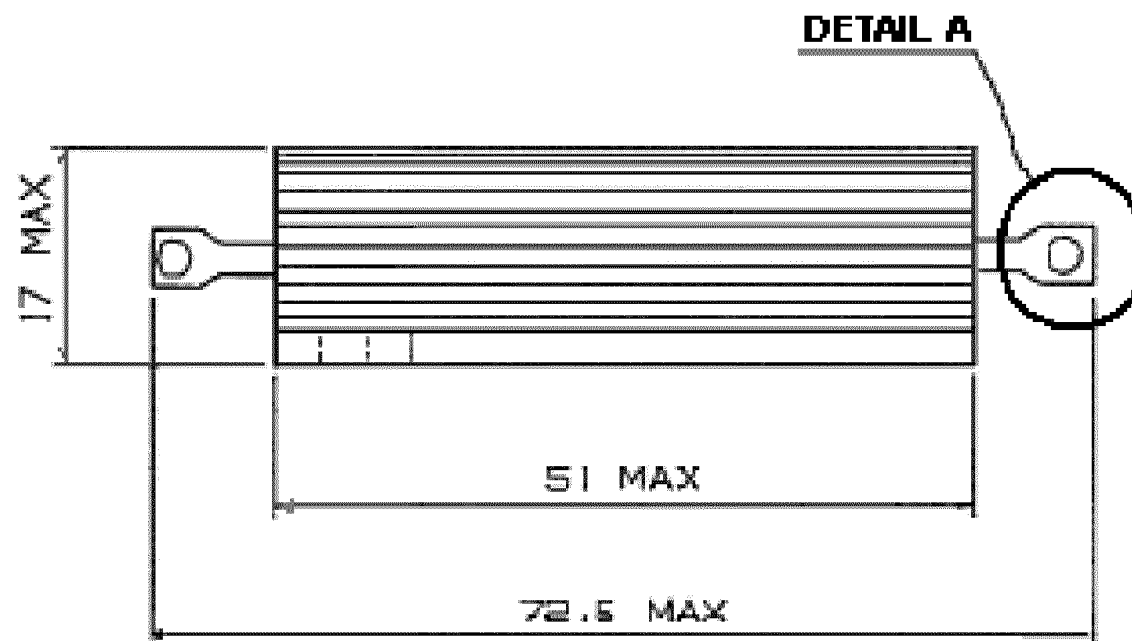
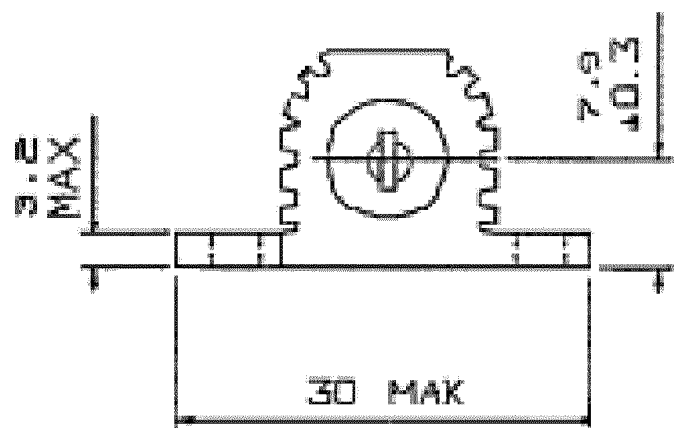
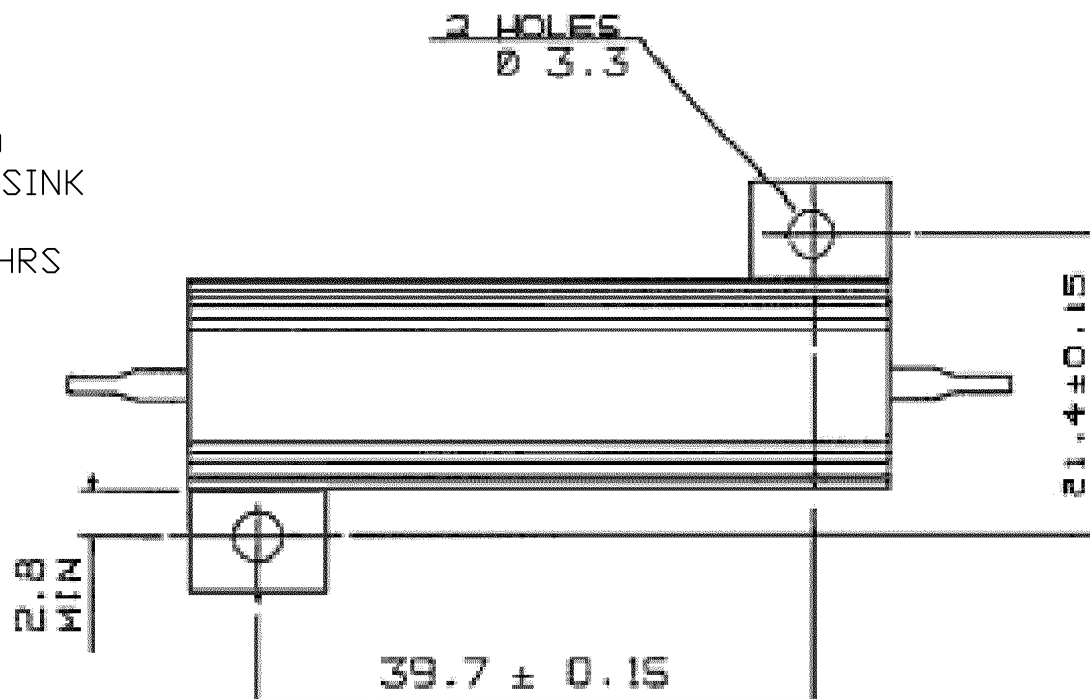
$\Delta R \leq 1\%$ PER 1000 HRS

ISOLATION VOLTAGE
MAX WORKING VOLTAGE
TEMP COEFFICIENT

2500V DC/AC PK
1250V DC/AC RMS
<100R $\pm 50\text{ppm}/^\circ\text{C}$
>100R $\pm 30\text{ppm}/^\circ\text{C}$

CLIMATIC CATEGORY

55/200/56



DETAIL A

FOR A SPECIFIC PN FOR A RESISTANCE VALUE AND TOLERANCE, PLEASE REFER TO DMF.

RoHS Compliant

THIS DRAWING IS A CONTROLLED DOCUMENT.		DWN	ROB BLANCH	19SEPT06	STE TE Connectivity		
DIMENSIONS: mm		CHK	J CATCHPOLE	19SEPT06			
TOLERANCES UNLESS OTHERWISE SPECIFIED:		APVD	J CATCHPOLE	19SEPT06	NAME		
0 PLC	$\pm -$	PRODUCT SPEC			THS50 NARROW BORE METAL CLAD RESISTOR		
1 PLC	$\pm -$	APPLICATION SPEC			RESTRICTED TO		
2 PLC	$\pm -$	WEIGHT			SIZE	CAGE CODE	DRAWING NO
3 PLC	$\pm -$	MATERIAL			A300779 C-1879071		
4 PLC	$\pm -$	FINISH			SCALE NTS SHEET 1 OF 1 REV P		
ANGLES	$\pm -$	CUSTOMER DRAWING					

X-ON Electronics

Largest Supplier of Electrical and Electronic Components

Click to view similar products for [Wirewound Resistors - Chassis Mount](#) category:

Click to view products by [TE Connectivity](#) manufacturer:

Other Similar products are found below :

[HD300HLR71J](#) [VK100NA-50](#) [40/70MJ2K00BE](#) [L75J1K0E](#) [VK100NA250](#) [L100J150E-MT1](#) [L50J500E-MT1](#) [SL130J100K-12](#)
[HSC1004R0F](#) [F30J20R](#) [HSC1008R0F](#) [HSX25R22J](#) [L100J40K](#) [CL65J10R](#) [HSW600 47R J](#) [HSW600 1R J](#) [L12NJ20R](#) [75342-400](#) [HSW600](#)
[22R J](#) [VRH320 1K K](#) [VRH320 100R K](#) [968.15 110M C E](#) [HSW600 4R7 J](#) [40/70MJ230R0HE](#) [L25J500E-MT1](#) [1-2176247-6](#) [1-2176248-5](#) [2-](#)
[2176248-0](#) [1-2176249-3](#) [C1500K12R](#) [FST02515E50R00KEE3](#) [AG12NFR22E](#) [850J220E](#) [AG12NFR10E](#) [CL225J30K](#) [LN100J75RE](#)
[D50K100-B](#) [L225J6K0E](#) [21025K538-5R0KE](#) [C300KR75E](#) [D50K25R-B](#) [LN80J14R](#) [L100J400E](#) [850NF12KE](#) [E300K5R1](#) [LN100J1K0](#)
[D160K10R](#) [D300K1K0](#) [410500S44A50R0K](#) [410500S44A300RK](#)