

JE-13-B

M

DRAWING NUMBER

3

ISSUE

REVISIONS

A	PRI4127
	TSK
	21 AUG 85
B	CO
	61293
	WJM
	14 APR 87

REPLACES

RELEASE NO. PR-14127

CHECK

CHECK

22 AUG 85

85 CHECK

DRAWN

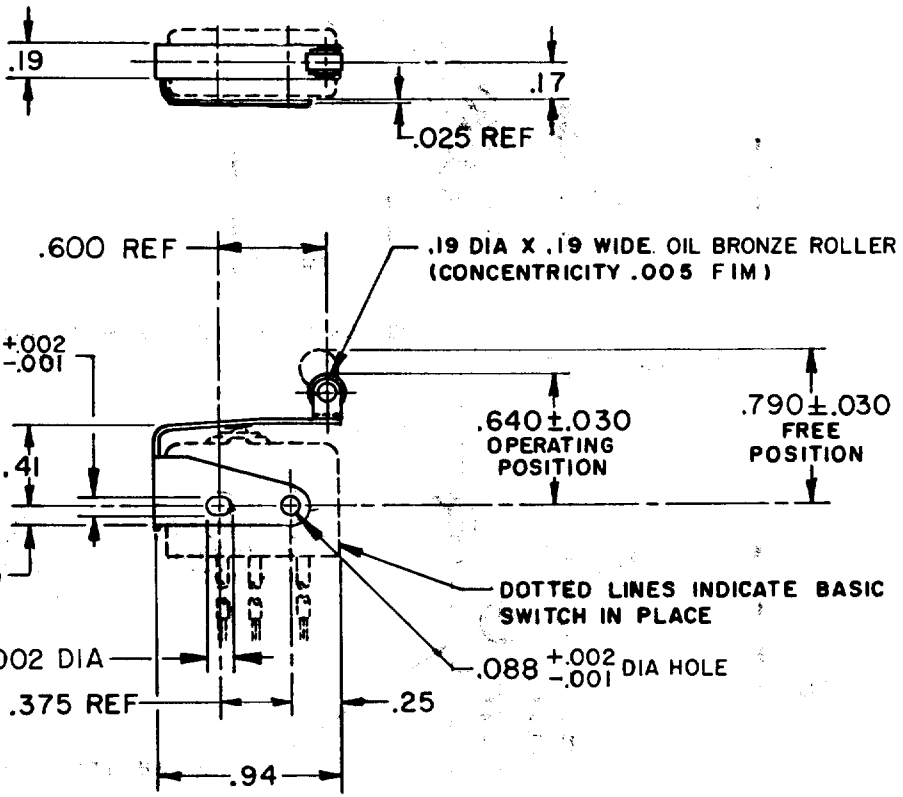
TSK

FO-52848-A

O-50378

DF

MBF



NOTE
 1 UNIT FURNISHED BULK PACKED

THIS DRAWING COVERS A PROPRIETARY ITEM AND IS THE PROPERTY OF MICRO SWITCH, A DIVISION OF HONEYWELL. THIS DRAWING IS NOT TO BE COPIED OR USED WITHOUT THE APPROVAL OF MICRO SWITCH.

THIRD ANGLE PROJECTION

CHARACTERISTICS
OPERATING FORCE ----- 12 OZ MAX
RELEASE FORCE ----- 2 OZ MIN
DIFFERENTIAL TRAVEL ----- .025 MAX
OVERTRAVEL ----- .015 MIN

ELECTRICAL DATA
CONTACT ARRANGEMENT

SCALE	FULL																																																
DO NOT SCALE PRINT																																																	
TOLERANCES																																																	
APPLY TO DESIGN UNITS. CONVERSIONS ARE ONLY FOR REFERENCE. UNLESS NOTED, TOLERANCES ARE ±																																																	
<table border="1"> <thead> <tr> <th>DESIGN</th> <th>TOL.</th> <th>DESIGN</th> <th>TOL.</th> </tr> <tr> <th>PLACES</th> <th>mm</th> <th>PLACES</th> <th>in</th> </tr> </thead> <tbody> <tr> <td>NO PLACES</td> <td>± .04</td> <td>NO PLACES</td> <td>± .0010</td> </tr> <tr> <td>ONE PLACE</td> <td>± .01</td> <td>ONE PLACE</td> <td>± .0005</td> </tr> <tr> <td>TWO PLACES</td> <td>± .005</td> <td>TWO PLACES</td> <td>± .0002</td> </tr> <tr> <td>THREE PLACES</td> <td>± .0008</td> <td>THREE PLACES</td> <td>± .0001</td> </tr> </tbody> </table>	DESIGN	TOL.	DESIGN	TOL.	PLACES	mm	PLACES	in	NO PLACES	± .04	NO PLACES	± .0010	ONE PLACE	± .01	ONE PLACE	± .0005	TWO PLACES	± .005	TWO PLACES	± .0002	THREE PLACES	± .0008	THREE PLACES	± .0001	<table border="1"> <thead> <tr> <th>DESIGN</th> <th>TOL.</th> <th>DESIGN</th> <th>TOL.</th> </tr> <tr> <th>PLACES</th> <th>mm</th> <th>PLACES</th> <th>in</th> </tr> </thead> <tbody> <tr> <td>NO PLACES</td> <td>± .04</td> <td>NO PLACES</td> <td>± .0010</td> </tr> <tr> <td>ONE PLACE</td> <td>± .01</td> <td>ONE PLACE</td> <td>± .0005</td> </tr> <tr> <td>TWO PLACES</td> <td>± .005</td> <td>TWO PLACES</td> <td>± .0002</td> </tr> <tr> <td>THREE PLACES</td> <td>± .0008</td> <td>THREE PLACES</td> <td>± .0001</td> </tr> </tbody> </table>	DESIGN	TOL.	DESIGN	TOL.	PLACES	mm	PLACES	in	NO PLACES	± .04	NO PLACES	± .0010	ONE PLACE	± .01	ONE PLACE	± .0005	TWO PLACES	± .005	TWO PLACES	± .0002	THREE PLACES	± .0008	THREE PLACES	± .0001
DESIGN	TOL.	DESIGN	TOL.																																														
PLACES	mm	PLACES	in																																														
NO PLACES	± .04	NO PLACES	± .0010																																														
ONE PLACE	± .01	ONE PLACE	± .0005																																														
TWO PLACES	± .005	TWO PLACES	± .0002																																														
THREE PLACES	± .0008	THREE PLACES	± .0001																																														
DESIGN	TOL.	DESIGN	TOL.																																														
PLACES	mm	PLACES	in																																														
NO PLACES	± .04	NO PLACES	± .0010																																														
ONE PLACE	± .01	ONE PLACE	± .0005																																														
TWO PLACES	± .005	TWO PLACES	± .0002																																														
THREE PLACES	± .0008	THREE PLACES	± .0001																																														
DESIGN UNITS	<input type="checkbox"/> SI METRIC <input checked="" type="checkbox"/> US CUSTOMARY																																																
WEIGHT																																																	

OVERTRAVEL ----- .015 MIN

TWO PLACE	(.00)	± .015
THREE PLACE	(.000)	± .008
ANGLES		±
WEIGHT		

X-ON Electronics

Largest Supplier of Electrical and Electronic Components

Click to view similar products for [Basic / Snap Action Switches](#) category:

Click to view products by [Honeywell](#) manufacturer:

Other Similar products are found below :

[83228001](#) [01.098.1358.1](#) [602EN1-6B](#) [602EN532](#) [602EN535-RB](#) [602HE5-RB1](#) [604HE162](#) [604HE223-6B](#) [624HE17-RB](#) [6HM89](#) [6PA78-JM](#)
[6SE1](#) [6SX1-H58](#) [70500840](#) [MBD5B1](#) [MBH2731](#) [73-316-0012](#) [79211759](#) [79211923](#) [79218589](#) [7AS12](#) [ML-1155](#) [ML-1376](#) [831010C3.0](#)
[831060C3.TL](#) [831090C2.EL](#) [83131904](#) [84212012](#) [8AS239](#) [8HM73-3](#) [903VB1-PG](#) [914CE1-6G](#) [PL-100](#) [11SM1077-H4](#) [11SM1077-H58](#)
[11SM1-TN107](#) [11SM405](#) [11SM703-T](#) [11SM8423-H2](#) [11SX37-T](#) [11SX48-H58](#) [11SX55-H58](#) [11SM2442-T](#) [11SM76-T](#) [11SM77-H58](#)
[11SM77-T](#) [11SM863-T](#) [11SM866](#) [11SX47-H58](#) [A7CN-1M-1-LEFT](#)