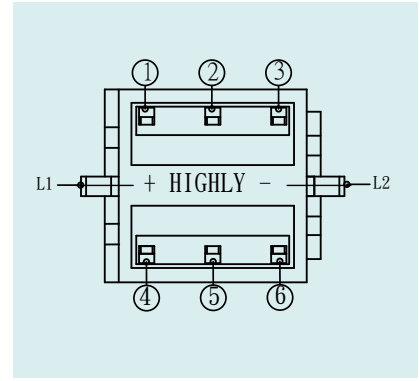


» Circuit

Type	Switch Action		
PB613A	Normal ON	Push to lock ON	
Connecting Terminal	1 - 2 4 - 5	2 - 3 5 - 6	
PB613B	Normal ON	Push (ON)	
Connecting Terminal	1 - 2 4 - 5	2 - 3 5 - 6	
LED Circuit			



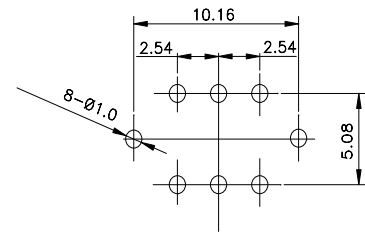
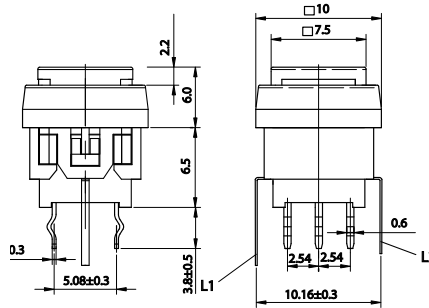
» Operating characteristics

Unit: mm

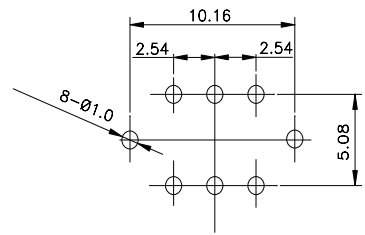
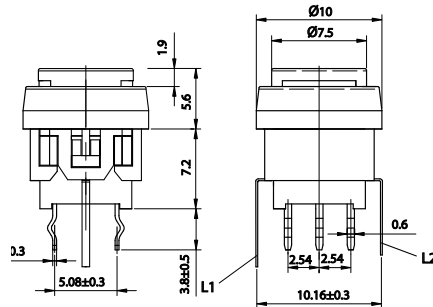
Dimensions

P.C.B Layout

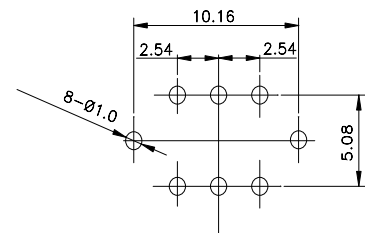
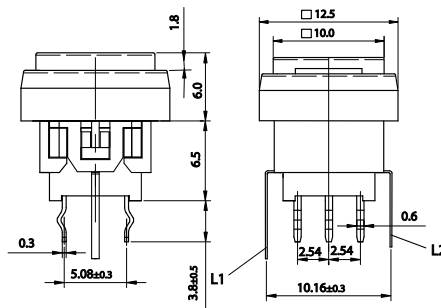
PB6131F □ L



PB6132F □ L



PB6133F □ L



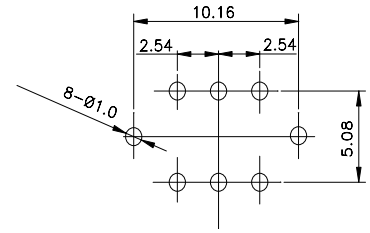
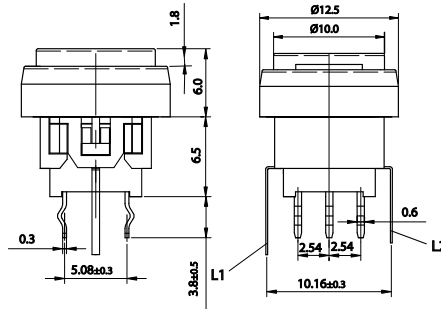
» Operating characteristics

Unit: mm

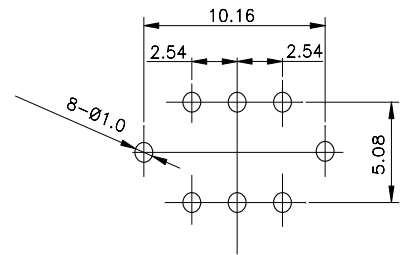
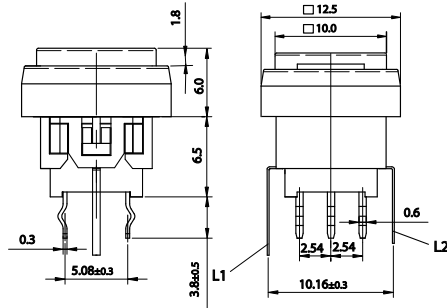
Dimensions

P.C.B Layout

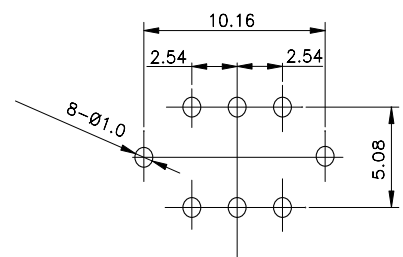
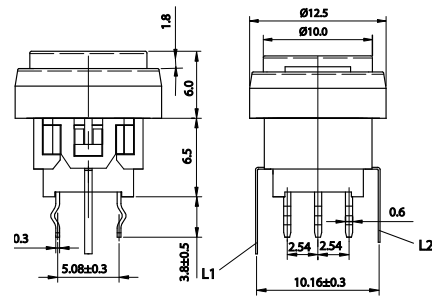
PB6134F □ L



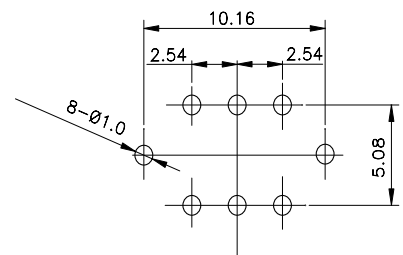
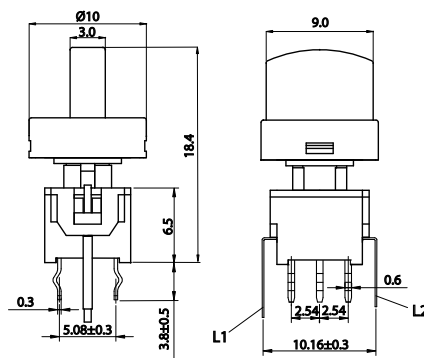
PB6135F □ L



PB6136F □ L



PB61301 □ L



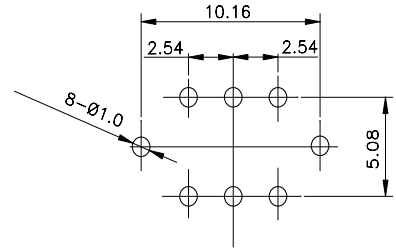
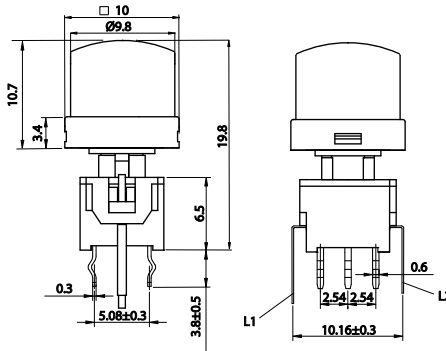
» Operating characteristics

Unit: mm

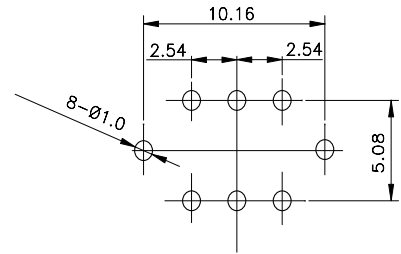
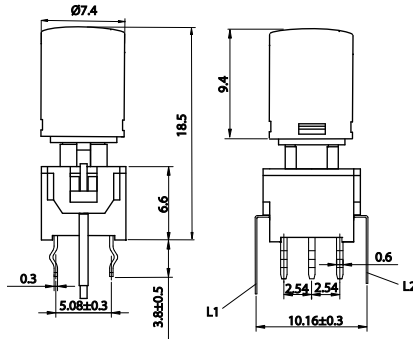
Dimensions

P.C.B Layout

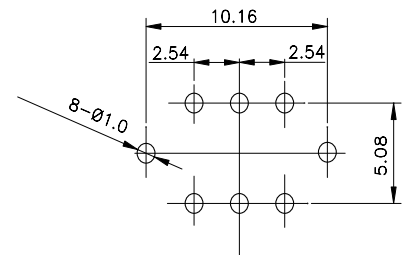
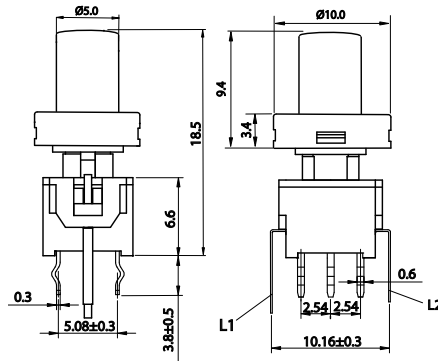
PB61302 □ L



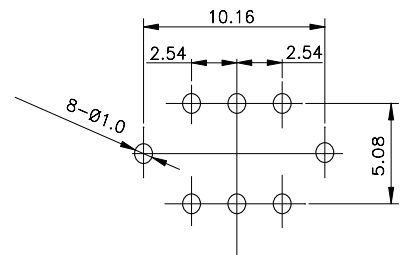
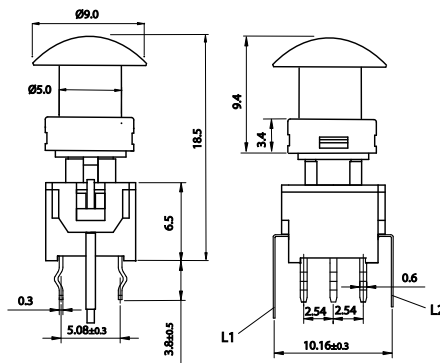
PB61303 □ L



PB61304 □ L



PB61305 □ L



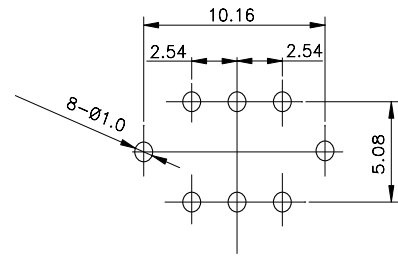
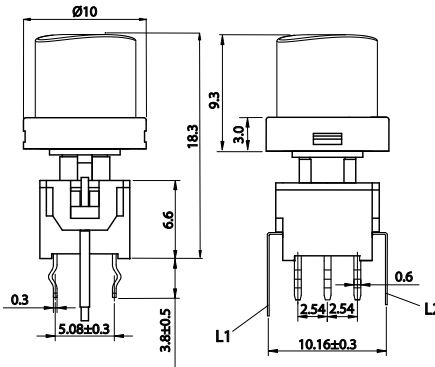
» Operating characteristics

Unit: mm

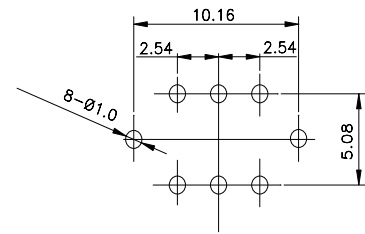
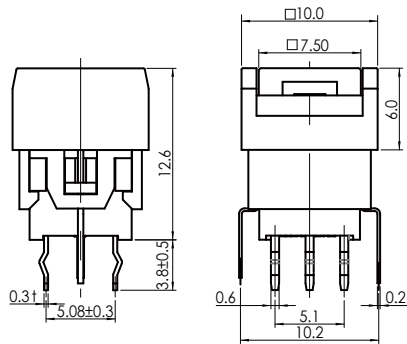
Dimensions

P.C.B Layout

PB61307 □ L



PB6131 □ F2L



» Features

- New design-double layer illuminated push switch.
- Sharp "click" feeling with positive reliability feedback.
- Epoxy sealing treatment, free of flux entry.
- Several LED colors options.
- Side-actuated with right angle terminal.
- Several cap legends options.



» Applications

- Operating switches in all types of electronic equipment such as audio apparatus, office equipment, communications apparatus, TV sets, VCRs, etc.

» Specifications

Rating	0.1A 30VDC
Insulation Resistance	100MΩ Min (at 500 VDC)
Dielectric Strength	AC 500V (50/60 Hz for 1 minute)
Contact Resistance	50mΩ Max. (Initial)
Electrically Life	10,000 Cycles Min
Ambient Temperature	-10°C~ +80°C
Operating Force	150 ± 100gf (Momentary)
	250 ± 100gf (Alternate)
	200 ± 100gf (Momentary With Click)

» LED Specifications

Color	VR	IF	Recommended Operating Current	VF	
				Nor	Max
Red	DC 5V	20mA	20mA	1.7V	2.4V
Green	DC 5V	20mA	20mA	1.9V	2.4V
Yellow	DC 5V	20mA	20mA	1.9V	2.4V
Blue	DC 5V	20mA	20mA	3.0V	3.6V
White	DC 5V	20mA	20mA	3.0V	3.6V

For the specification about the other LEDs, please contact with sales department

» Product selection

PB 6131

RFIL - [] - [] - [] - [] - [] - []

UPPER	LOWER
FUNCTIO	
A	Alternate
B	Momentary with click

UPPER	LOWER
LED COLOR	
1	Red
2	Yellow
3	Green
4	Blue
5	White
6	Pure Green
8	Amber
9	Blue Green
10	Pink
011	Purple
12	Red/Yellow
13	Red/Green
14	Red/Blue
23	Yellow/Green
48	Blue/Amber
52	White/Yellow
58	White/Amber
-	Non-LED

UPPER CAP COLOR	
1	Misty Silver
2	Bright Silver
3	Gold
4	White
5	Bright Black
6	Red
7	Misty Black
8	Sky blue
9	Gunmetal black
A	Orange

LOWER CAP COLOR	
1	Misty Silver
2	Bright Silver
3	Gold
4	White
5	Bright Black
6	Red
7	Misty Black
8	Sky blue
9	Gunmetal black
A	Orange

UPPER LASER ETCHING			
01	⏻	06	⬆
02	○	07	⬇
03	OK	08	⊙
04	⇒	09	⊙
05	⇐	10	▲

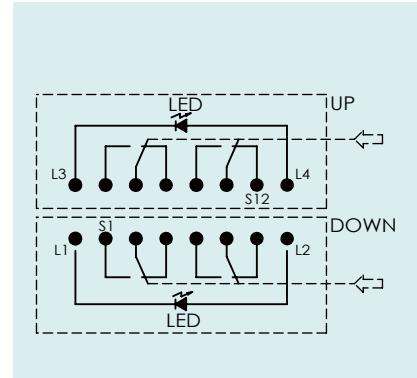
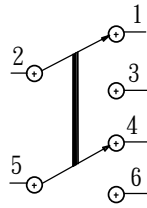
LOWER LASER ETCHING			
01	⏻	06	⬆
02	○	07	⬇
03	OK	08	⊙
04	⇒	09	⊙
05	⇐	10	▲

Please inquire about the details with our sales representative.

Please inquire about the details with our sales representative.

» **Circuit**

Type	Switch Action	
PB613A	Normal ON	Push to lock ON
Connecting Terminal	1 - 2 4 - 5	2 - 3 5 - 6
PB613B	Normal ON	Push (ON)
Connecting Terminal	1 - 2 4 - 5	2 - 3 5 - 6
LED Circuit		



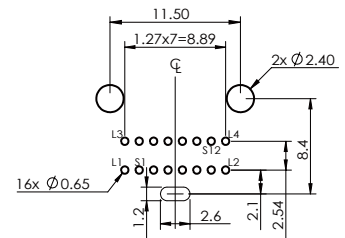
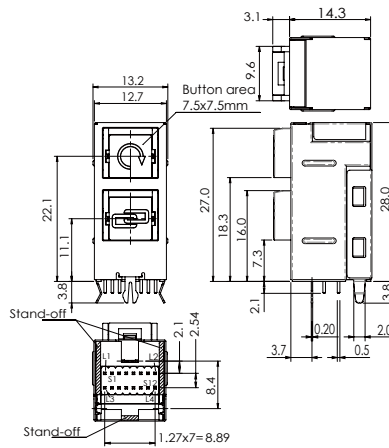
» **Operating characteristics**

Unit: mm

Dimensions

P.C.B Layout

PB6131 □ □ **RFIL-33-577-5170**



» Features

- Epoxy sealing treatment, free of flux entry.
- Several LED colors options.
- Side-actuated with right angle terminal.
- Several cap legends options.



» Applications

- Operating switches in all types of electronic equipment such as audio apparatus, office equipment, communications apparatus, TV sets, VCRs, etc.

» Specifications

Rating	0.1A 30VDC
Insulation Resistance	100MΩ Min (at 500 VDC)
Dielectric Strength	AC 500V (50/60 Hz for 1 minute)
Contact Resistance	50mΩ Max. (Initial)
Electrically Life	10,000 Cycles Min
Ambient Temperature	-10°C~ +80°C
Operating Force	150 ± 100gf (Momentary)
	250 ± 100gf (Alternate)
	200 ± 100gf (Momentary With Click)

» LED Specifications

Color	VR	IF	Recommended Operating Current	VF	
				Nor	Max
Red	DC 5V	20mA	20mA	1.7V	2.4V
Green	DC 5V	20mA	20mA	1.9V	2.4V
Yellow	DC 5V	20mA	20mA	1.9V	2.4V
Blue	DC 5V	20mA	20mA	3.0V	3.6V
White	DC 5V	20mA	20mA	3.0V	3.6V

For the specification about the other LEDs, please contact with sales department

» Product selection

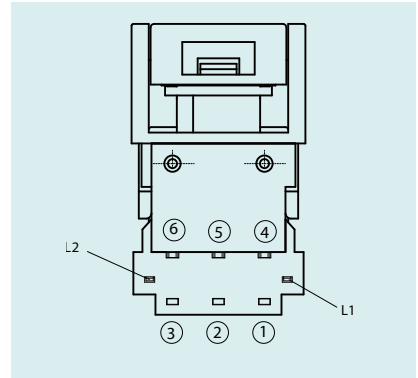
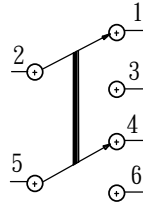
PB 613

BUTTON TYPE	FUNCTION	LED	LED BRIGHTNESS	SUPPORT PIN	LASER ETCHING																																																															
<table border="1" style="width: 100%; border-collapse: collapse;"> <tr><td>1</td><td></td></tr> <tr><td>2</td><td></td></tr> <tr><td>3</td><td></td></tr> <tr><td>4</td><td></td></tr> <tr><td>5</td><td></td></tr> <tr><td>6</td><td></td></tr> <tr><td>01</td><td></td></tr> <tr><td>02</td><td></td></tr> <tr><td>03</td><td></td></tr> <tr><td>04</td><td></td></tr> <tr><td>05</td><td></td></tr> <tr><td>07</td><td></td></tr> </table>	1		2		3		4		5		6		01		02		03		04		05		07		<table border="1" style="width: 100%; border-collapse: collapse;"> <tr><td>A</td><td>Alternate</td></tr> <tr><td>B</td><td>Momentary with click</td></tr> </table>	A	Alternate	B	Momentary with click	<table border="1" style="width: 100%; border-collapse: collapse;"> <tr><td>-</td><td>Non-LED</td></tr> <tr><td>L</td><td>LED</td></tr> </table>	-	Non-LED	L	LED	<table border="1" style="width: 100%; border-collapse: collapse;"> <tr><td>_</td><td>Standard</td></tr> <tr><td>C</td><td>High Brightness</td></tr> </table>	_	Standard	C	High Brightness	<table border="1" style="width: 100%; border-collapse: collapse;"> <tr><td>-</td><td>Without</td></tr> <tr><td>WS</td><td></td></tr> <tr><td>WS2</td><td></td></tr> </table>	-	Without	WS		WS2		<table border="1" style="width: 100%; border-collapse: collapse;"> <tr><td>01</td><td></td></tr> <tr><td>02</td><td></td></tr> <tr><td>03</td><td>OK</td></tr> <tr><td>04</td><td></td></tr> <tr><td>05</td><td></td></tr> <tr><td>06</td><td></td></tr> <tr><td>07</td><td></td></tr> <tr><td>08</td><td></td></tr> <tr><td>09</td><td></td></tr> <tr><td>10</td><td></td></tr> </table>	01		02		03	OK	04		05		06		07		08		09		10		
1																																																																				
2																																																																				
3																																																																				
4																																																																				
5																																																																				
6																																																																				
01																																																																				
02																																																																				
03																																																																				
04																																																																				
05																																																																				
07																																																																				
A	Alternate																																																																			
B	Momentary with click																																																																			
-	Non-LED																																																																			
L	LED																																																																			
_	Standard																																																																			
C	High Brightness																																																																			
-	Without																																																																			
WS																																																																				
WS2																																																																				
01																																																																				
02																																																																				
03	OK																																																																			
04																																																																				
05																																																																				
06																																																																				
07																																																																				
08																																																																				
09																																																																				
10																																																																				
		FRAME	LED COLOR																																																																	
		<table border="1" style="width: 100%; border-collapse: collapse;"> <tr><td>I</td><td></td></tr> <tr><td>G</td><td></td></tr> <tr><td>I2</td><td></td></tr> <tr><td>J</td><td></td></tr> </table>	I		G		I2		J		<table border="1" style="width: 100%; border-collapse: collapse;"> <tr><td>1</td><td></td><td>Red</td></tr> <tr><td>2</td><td></td><td>Yellow</td></tr> <tr><td>3</td><td></td><td>Green</td></tr> <tr><td>4</td><td></td><td>Blue</td></tr> <tr><td>5</td><td></td><td>White</td></tr> <tr><td>6</td><td></td><td>Pure Green</td></tr> <tr><td>8</td><td></td><td>Amber</td></tr> <tr><td>9</td><td></td><td>Blue Green</td></tr> <tr><td>10</td><td></td><td>Pink</td></tr> <tr><td>011</td><td></td><td>Purple</td></tr> <tr><td>12</td><td></td><td>Red/Yellow</td></tr> <tr><td>13</td><td></td><td>Red/Green</td></tr> <tr><td>14</td><td></td><td>Red/Blue</td></tr> <tr><td>23</td><td></td><td>Yellow/Green</td></tr> <tr><td>48</td><td></td><td>Blue/Amber</td></tr> <tr><td>52</td><td></td><td>White/Yellow</td></tr> <tr><td>58</td><td></td><td>White/Amber</td></tr> <tr><td>-</td><td></td><td>Non-LED</td></tr> </table>			1		Red	2		Yellow	3		Green	4		Blue	5		White	6		Pure Green	8		Amber	9		Blue Green	10		Pink	011		Purple	12		Red/Yellow	13		Red/Green	14		Red/Blue	23		Yellow/Green	48		Blue/Amber	52		White/Yellow	58		White/Amber	-		Non-LED	
I																																																																				
G																																																																				
I2																																																																				
J																																																																				
1		Red																																																																		
2		Yellow																																																																		
3		Green																																																																		
4		Blue																																																																		
5		White																																																																		
6		Pure Green																																																																		
8		Amber																																																																		
9		Blue Green																																																																		
10		Pink																																																																		
011		Purple																																																																		
12		Red/Yellow																																																																		
13		Red/Green																																																																		
14		Red/Blue																																																																		
23		Yellow/Green																																																																		
48		Blue/Amber																																																																		
52		White/Yellow																																																																		
58		White/Amber																																																																		
-		Non-LED																																																																		
			CAP COLOR																																																																	
			<table border="1" style="width: 100%; border-collapse: collapse;"> <tr><td>1</td><td>Misty Silver</td></tr> <tr><td>2</td><td>Bright Silver</td></tr> <tr><td>3</td><td>Gold</td></tr> <tr><td>4</td><td>White</td></tr> <tr><td>5</td><td>Bright Black</td></tr> <tr><td>6</td><td>Red</td></tr> <tr><td>7</td><td>Misty Black</td></tr> <tr><td>8</td><td>Sky blue</td></tr> <tr><td>9</td><td>Gunmetal black</td></tr> <tr><td>A</td><td>Orange</td></tr> </table>	1	Misty Silver	2	Bright Silver	3	Gold	4	White	5	Bright Black	6	Red	7	Misty Black	8	Sky blue	9	Gunmetal black	A	Orange																																													
1	Misty Silver																																																																			
2	Bright Silver																																																																			
3	Gold																																																																			
4	White																																																																			
5	Bright Black																																																																			
6	Red																																																																			
7	Misty Black																																																																			
8	Sky blue																																																																			
9	Gunmetal black																																																																			
A	Orange																																																																			

Please inquire about the details with our sales representative.

» **Circuit**

Type	Switch Action	
PB613 ARF	Normal ON	Push to lock ON
Connecting Terminal	1 - 2 4 - 5	2 - 3 5 - 6
PB613 BRF	Normal ON	Push (ON)
Connecting Terminal	1 - 2 4 - 5	2 - 3 5 - 6
LED Circuit		



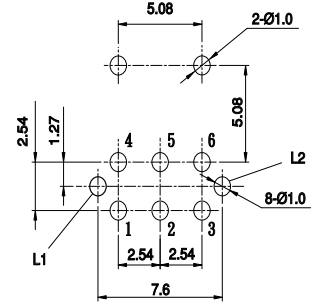
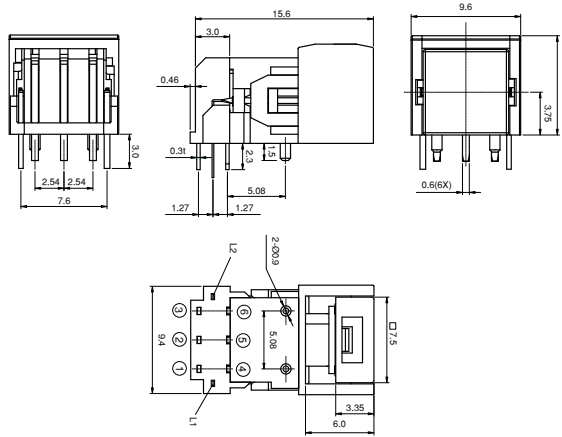
» **Operating characteristics**

Unit: mm

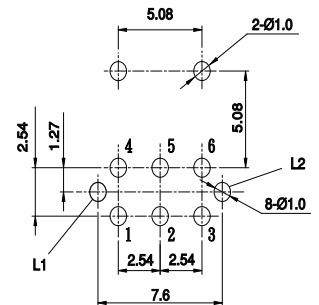
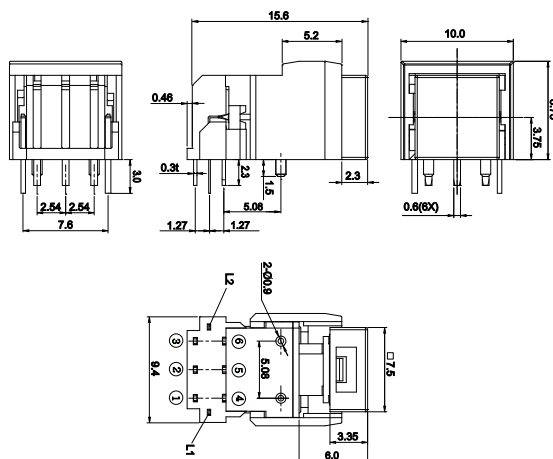
Dimensions

P.C.B Layout

PB6131 **RFIL-3-177**



PB6131 **RFGL-3-177**



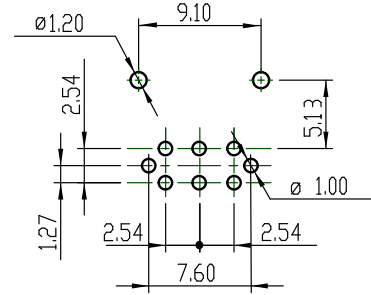
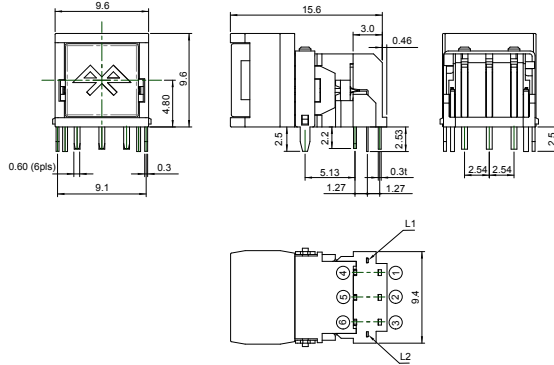
» Operating characteristics

Unit: mm

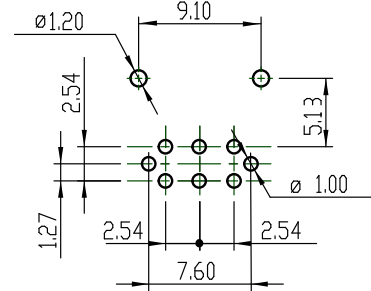
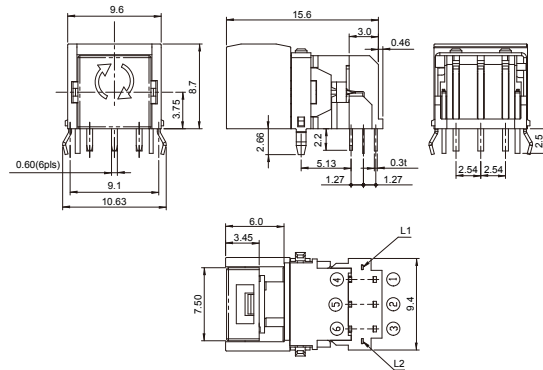
Dimensions

P.C.B Layout

PB6131 □ RFJL-4-WS-5195



PB6131 □ RFI L-4-WS2-5238



X-ON Electronics

Largest Supplier of Electrical and Electronic Components

Click to view similar products for [Input Devices](#) category:

Click to view products by [Highly manufacturer](#):

Other Similar products are found below :

[80260-08](#) [M11L0A1](#) [M11L0B1M](#) [M21L0H1PX](#) [M41C091P100](#) [80260-00](#) [81521-08](#) [FKB4720-103](#) [84250-26](#) [84980-04](#) [84S-AC1-000](#)
[C10O0C1P](#) [JD-0700EU-2](#) [JM-0800-2](#) [JOY-THUMB](#) [JW-T0100](#) [89498-13](#) [89758-05](#) [89886-26](#) [89941-00](#) [FQ-XT](#) [G3-A1AM151NNNN](#)
[G80-3000LSCEU-2](#) [M11C011B](#) [TH500P00D4](#) [MJ0FGGRY](#) [JM-0800-0](#) [KBCV-4100W](#) [MR2110R5BB](#) [60C22-M7-4-020S](#) [67A-DF-3C-](#)
[060C](#) [84S-BB1-004](#) [81601-26](#) [G8011900LPMUS0](#) [G844420LUBEU0](#) [G84-4700LUCUS-0](#) [89701-26](#) [81485-26](#) [84105-13](#) [V400-W24 5M](#)
[V400-W23 5M](#) [G84-5200LCMEU-2](#) [M11F061P](#) [84Z2029-100](#) [4P182F1D0100](#) [M41L091M](#) [M41L091P](#) [60A00-8-050C](#) [84Z2029-78](#)
[XD2CF1111](#)