

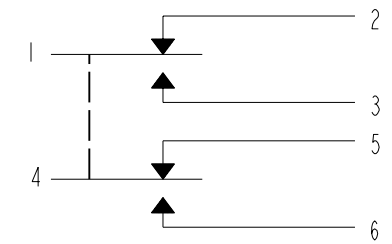
**MICRO SWITCH**  
a Honeywell Division

FED. MFG. CODE 91929

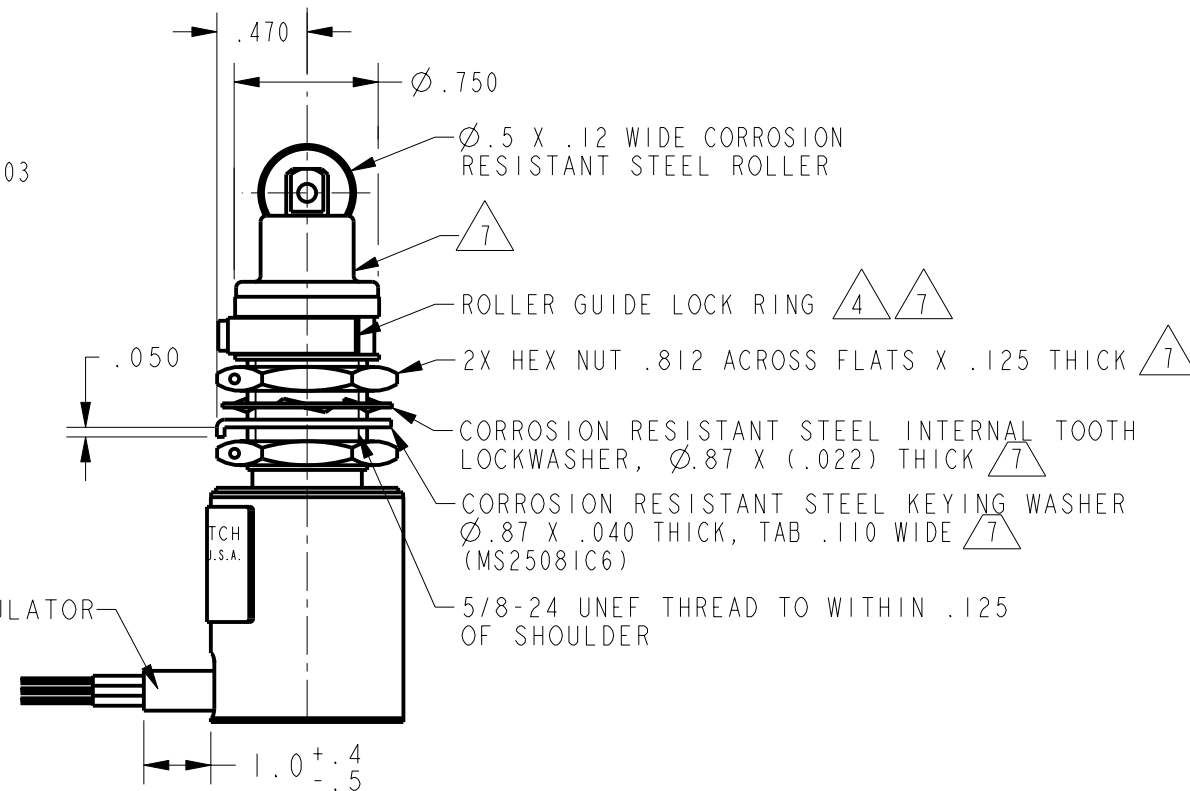
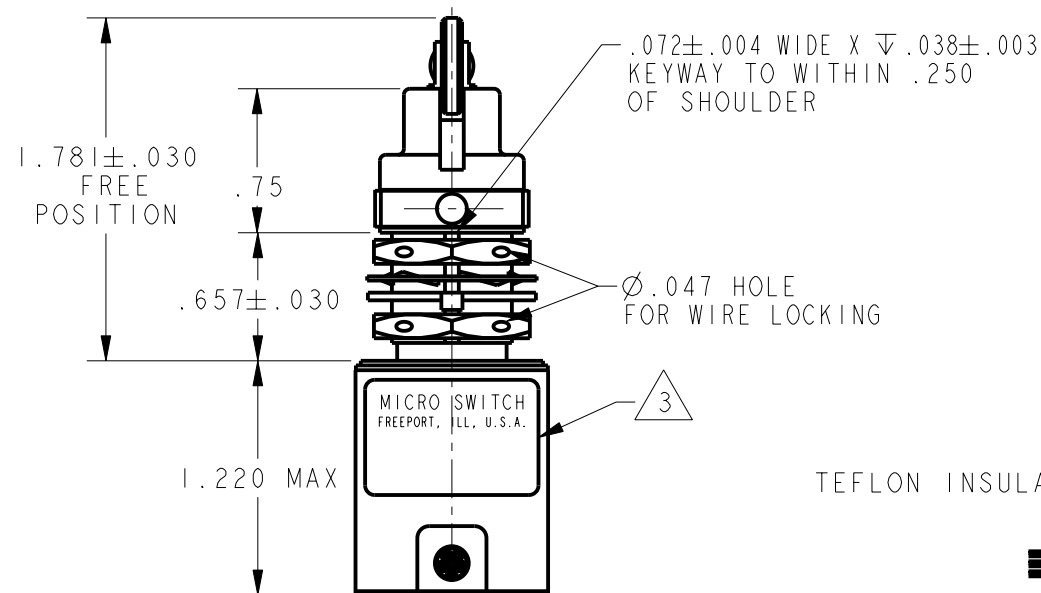
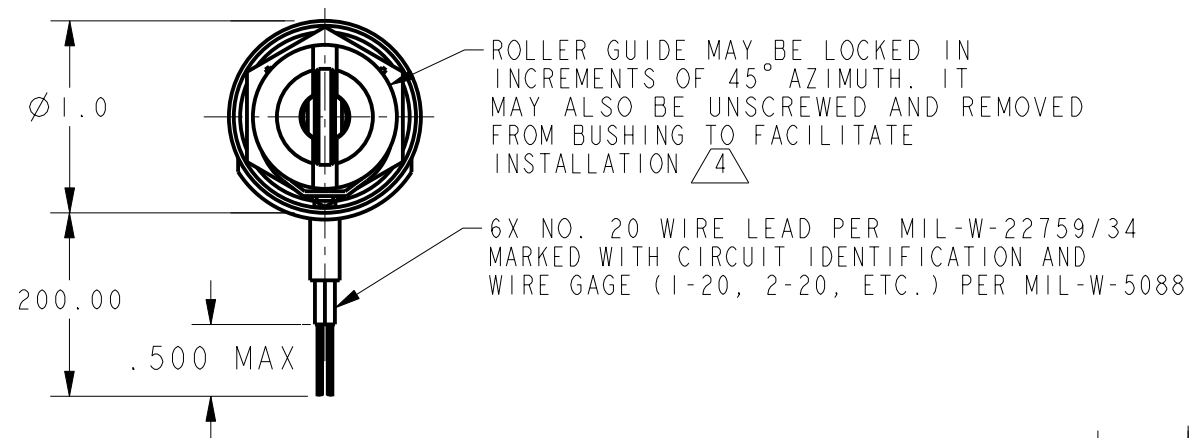
**SWITCH - ENCLOSED**

CATALOG LISTING

**21HE310**



CIRCUIT DIAGRAM

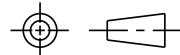


NOTES

- 1 - CORROSION RESISTANT STEEL ENCLOSURE
- 2 - SWITCH SEALED PER MIL-PRF-8805 SYMBOL 5
- $\triangle 3$  CIRCUIT DIAGRAM AND CATALOG LISTING ARE SHOWN ON NAMEPLATE
- $\triangle 4$  TO ADJUST ROLLER DIRECTION, REMOVE ROLLER GUIDE LOCK RING, SCREW ROLLER GUIDE DOWN AS FAR AS POSSIBLE, THEN UNSCREW TO DESIRED DIRECTION. SECURE BY REPLACING ROLLER GUIDE LOCK RING
- 5 - COINCIDENCE OF OPERATING AND RELEASING POINTS: .010 INCH OF PLUNGER TRAVEL
- 6 - FOR OPERATION IN TEMPERATURES OF -65° TO +257°
- $\triangle 7$  HARDWARE MAY BE PACKAGED UNASSEMBLED PER MIL-PRF-8805

THIS DRAWING COVERS A PROPRIETARY ITEM AND IS THE PROPERTY OF MICRO SWITCH, A DIVISION OF HONEYWELL. THIS DRAWING IS NOT TO BE COPIED OR USED WITHOUT THE APPROVAL OF MICRO SWITCH

THIRD ANGLE PROJECTION



CHARACTERISTICS		ELECTRICAL DATA		SCALE
OPERATING FORCE	6-12 LB	CONTACT ARRANGEMENT		FULL
FULL OVERTRAVEL FORCE	30 LB MAX	2X SPD T		DO NOT SCALE PRINT
RELEASE FORCE	4 LB MIN	28 VDC		UNLESS OTHERWISE SPECIFIED TOLERANCES ARE
PRETRAVEL	.040 MAX	LOAD	SEA LEVEL	ONE PLACE (.0) ± .030
DIFFERENTIAL TRAVEL	.020 MAX	RES	100,000 FT.	TWO PLACE (.00) ± .015
OVERTRAVEL	.250 MIN	IND		THREE PLACE (.000) ± .005
		MOTOR		ANGLES ±
				WEIGHT 12 OZ MAX

ANSI Y14.5M-1982 APPLIES

CATALOG LISTING  
 21HE310  
 PAGE 1 OF 1  
 RELEASE NO. PR-24378  
 REPLACES  
 ISSUE 4  
 CHECK  
 REVISIONS  
 A PR-24378 SAV 11 JAN 00  
 B CO-96009 TSM 27 JAN 00  
 C 202231 DLT 26 JAN 01  
 CHECK  
 14OCT99  
 JAF  
 CHECK  
 14OCT99  
 TSM  
 DRAWN  
 PTC/CAD 2D

## X-ON Electronics

Largest Supplier of Electrical and Electronic Components

*Click to view similar products for [Basic / Snap Action Switches](#) category:*

*Click to view products by [Honeywell](#) manufacturer:*

Other Similar products are found below :

[83228001](#) [01.098.1358.1](#) [602EN1-6B](#) [602EN532](#) [602EN535-RB](#) [602HE5-RB1](#) [604HE162](#) [604HE223-6B](#) [624HE17-RB](#) [6HM89](#) [6PA78-JM](#)  
[6SE1](#) [6SX1-H58](#) [70500840](#) [MBD5B1](#) [MBH2731](#) [73-316-0012](#) [79211759](#) [79211923](#) [79218589](#) [7AS12](#) [ML-1155](#) [ML-1376](#) [831010C3.0](#)  
[831060C3.TL](#) [831090C2.EL](#) [83131904](#) [84212012](#) [8AS239](#) [8HM73-3](#) [903VB1-PG](#) [914CE1-6G](#) [PL-100](#) [11SM1077-H4](#) [11SM1077-H58](#)  
[11SM1-TN107](#) [11SM405](#) [11SM703-T](#) [11SM8423-H2](#) [11SX37-T](#) [11SX48-H58](#) [11SX55-H58](#) [11SM2442-T](#) [11SM76-T](#) [11SM77-H58](#)  
[11SM77-T](#) [11SM863-T](#) [11SM866](#) [11SX47-H58](#) [A7CN-1M-1-LEFT](#)