

6

5

4

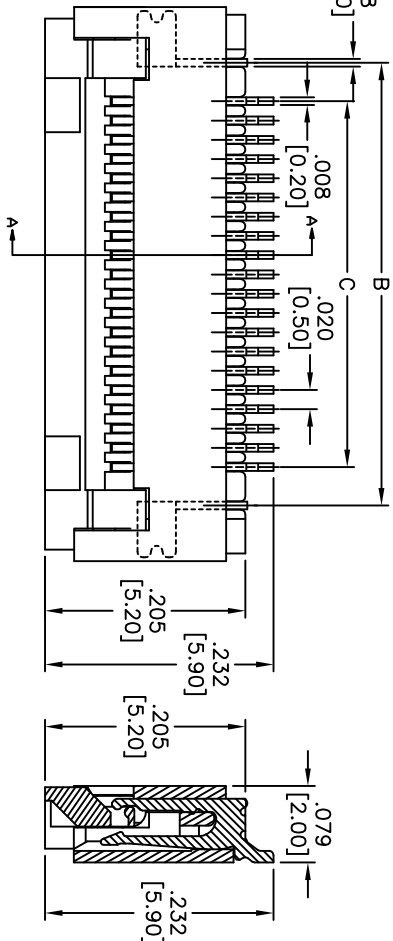
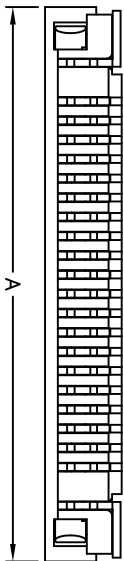
3

2

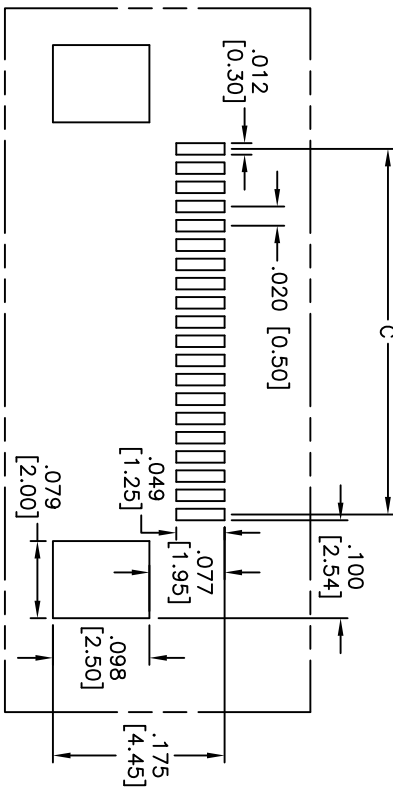
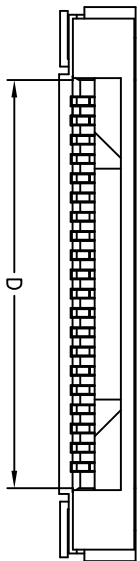
1

APPROVED: \_\_\_\_\_  
 DATE: \_\_\_\_\_ TITLE: \_\_\_\_\_

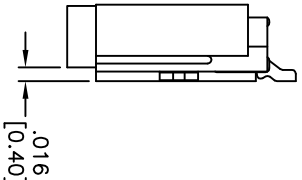
Rev	AWO #	Description	Date	Appr
-		RELEASED	2/06/10	
A		REVISED SHAPE	5/05/11	



SEC A-A



RECOMMENDED PCB LAYOUT



Positions: 4 thru 60  
 A = C + .193 [4.90]  
 B = C + .079 [2.00]  
 C = .020 [0.50] x No. of Spaces  
 D = C + .043 [1.10]

**SPECIFICATIONS:**

Material: Housing: Hi-temp thermoplastic, rated UL 94V-0, color Natural  
 Slider: Hi-temp thermoplastic, rated UL 94V-0, color Black  
 Contact: Copper alloy  
 Fitting Nail: Copper alloy  
 Plating: Tin over Copper underplate overall  
 Electrical: Current rating: 0.4A AC/DC  
 Voltage rating: 50V AC/DC  
 Withstand voltage: 200V AC/minute  
 Contact resistance: 20 mohms max.  
 Insulation resistance: 500 mohms min.  
 Temperature Rating: Temperature range: -25°C to +85°C  
 Environmental: Lead free, RoHS compliant.



**ADAM TECH**

909 Railway Avenue, Union, NJ 07083  
 Phone: 908-687-5000 Fax: 908-687-5710

TITLE: ZIF FLEX CIRCUIT CONNECTOR, 0.50 MM PITCH  
 SIDE ENTRY, LOWER CONTACT

UNLESS OTHERWISE SPECIFIED ALL DIMENSIONS ARE INCHES [MM]	
TOLERANCES: EXCEPT AS NOTED	
INCHES	HOLES
.X ± .10	ØXX ± .10
.XX ± .020	ØXXX ± .015
.XXX ± .015	ØXXXX ± .010
APPROVALS	DATE
DRAWN	DRY
CHECKED	2/06/10
APPROVED	

REF: S00167T	SCALE: NTS	SHEET 1 OF 1
SIZE	PART NO.	REV.
X	PCA-6G-XX-HL-3	A

6

5

4

3

2

1

## X-ON Electronics

Largest Supplier of Electrical and Electronic Components

*Click to view similar products for [FFC & FPC Connectors](#) category:*

*Click to view products by [Adam](#) manufacturer:*

Other Similar products are found below :

[HFW11R-1STE1H1LF](#) [FH29B-100S-0.2SHW\(99\)](#) [FA5S008HP1](#) [FH29B-120S-0.2SHW\(99\)](#) [FH29B-80S-0.2SHW\(99\)](#) [FHS-16](#) [FPH-2022G](#)  
[52610-1075](#) [52610-1275](#) [52610-1934](#) [XF3M\(1\)-1415-1B-R100](#) [501864-3091-TR225](#) [0525594033](#) [086210010340800](#) [086222026001800](#)  
[52271-2869-CUT-TAPE](#) [62674-201121DLF](#) [62684-36210E9ALF](#) [52610-1675](#) [52746-1671-TR250](#) [10051922-2810EHLF](#) [6-520415-9](#)  
[BD021-09A-A1-0350-0200-0550-LD](#) [SFV6R-1STE9HLF](#) [XF3M-2915-1B-R100](#) [1658549-1](#) [62674-221121ALF](#) [46214008010800](#)  
[046298003000883](#) [151660622](#) [842-816-2630-035](#) [AYF530665TA](#) [AYF351525](#) [046296011930846+](#) [AYF352325A](#) [046254020000800+](#)  
[FH19C-13S-0.5SH\(99\)](#) [FH39J-51S-0.3SHW\(99\)](#) [AYF355125A](#) [AYF530365TA](#) [FH29B-44S-0.2SHW\(99\)](#) [SFW5R-2STAE9LF](#) [AYF351125A](#)  
[AYF350725A](#) [62684-502100AHLF](#) [FH39-61S-0.3SHW\(99\)](#) [AYF414035A](#) [10064555-172520HLF](#) [AYF212335A](#) [504754-2500](#)