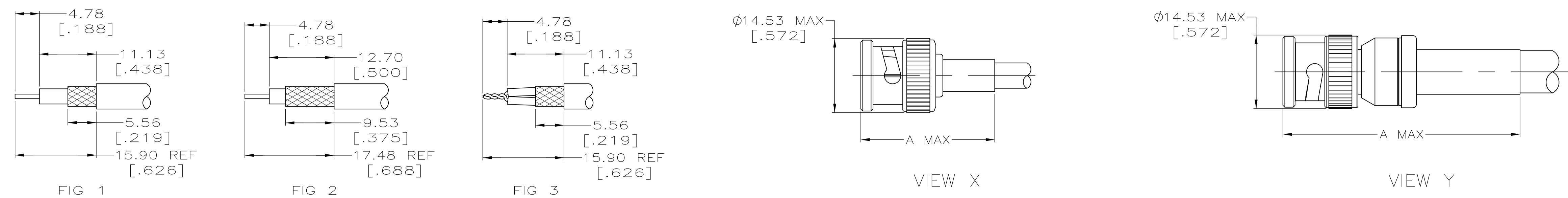


LOC	DIST	REV	DATE	BY	APPV
AJ	00				
REVISED PER ECO-11-005030			11MAR11	RK	HMR



RECOMMENDED STRIP LENGTH

1. SEE I.S. 1914-1
2. SEE SEPARATE RESTRICTED CUSTOMER DRAWING WITH THIS PART NUMBER
3. CRIMP ITEM 3 ONLY
4. USE CRIMP TOOL WITH DIE SET 220189-1
5. BULK PACKAGED
6. SPECIAL PRINTED PACKAGING
7. TRIM FILLER RODS BACK TO OUTER JACKET
8. REMOVE FOIL TO OUTER JACKET
9. OBSOLETE PARTS: OBSOLETE CIS STREAMLINING PER D.RENAUD/D.SINISI

REVISION	DESCRIPTION	QTY	FIGURE	CRIMP TOOL	A	6	5	4	3	2	1	VIEW	PART NUMBER	
SUPERSEDED	BELDEN 8212	1	69477-1	30.94 [1.218]	-	-	-	-	-	9-50428-0	1-331352-7	9-331349-4	X	9-225395-6
OBSOLETE	RG-180/U, 180A/U, 195/U	1	69477-2	30.94 [1.218]	-	-	-	-	-	9-329461-0	1-331352-4	9-331349-5	X	9-225395-5
SUPERSEDED	RG-179/U, 187/U	1	220009-1	30.94 [1.218]	-	-	-	21427-2	9-328666-0	1-331352-4	9-331349-5	X	9-225395-4	
SUPERSEDED	RG-174/U, 188/U	1	220009-1	30.94 [1.218]	-	-	-	21427-2	9-328666-0	1-331352-2	9-331349-5	X	9-225395-3	
SUPERSEDED	RG-142/U, 142A/U, 142B/U	1	69478-1	30.94 [1.218]	-	-	-	-	9-329099-0	1-331357-4	9-331349-3	X	9-225395-2	
SUPERSEDED	RG-59/U, 59A/U, 59B/U, 62/U, 62A/U, 62B/U	1	69477-1	30.94 [1.218]	-	-	-	-	9-50428-0	2-331352-3	9-331349-4	X	9-225395-1	
SUPERSEDED	RG-58/U, 58A/U, 58B/U, 58C/U	1	69478-1	30.94 [1.218]	-	-	-	-	9-50427-1	1-331357-3	9-331349-3	X	9-225395-0	
OBSOLETE	-	-	-	-	-	-	-	-	-	-	-	-	-	6-225395-7
OBSOLETE	RG-179/U, 187/U	1	220009-1	30.94 [1.218]	-	-	-	21427-2	9-328666-0	1-331352-4	3-331349-1	X	6-225395-6	
SUPERSEDED BY 1-225395-0	AMPHENOL 21-597	1	69477-2	30.94 [1.218]	-	-	-	-	9-329461-0	1-331352-2	3-331349-1	X	6-225395-5	
OBSOLETE	-	-	-	-	-	-	-	-	-	-	-	-	-	6-225395-4
SUPERSEDED BY 4-225395-1	-	-	-	-	-	-	-	-	-	-	-	-	-	6-225395-3
SUPERSEDED BY 4-225395-2	-	-	-	-	-	-	-	-	-	-	-	-	-	6-225395-2
SUPERSEDED BY 225395-2	-	-	-	-	-	-	-	-	-	-	-	-	-	6-225395-1
SUPERSEDED BY 225395-1	-	-	-	-	-	-	-	-	-	-	-	-	-	6-225395-0
SUPERSEDED BY 225395-2	RG-59/U, 59A/U, 59B/U, 62/U, 62A/U, 62B/U	1	69477-1	30.94 [1.218]	-	-	-	-	9-50428-0	2-331352-3	3-331349-0	X	5-225395-9	
SUPERSEDED BY 225395-2	RG-59/U, 59A/U, 59B/U, 62/U, 62A/U, 62B/U	1	69477-1	30.94 [1.218]	-	-	-	-	9-50428-0	2-331352-3	3-331349-0	X	5-225395-8	
OBSOLETE	RG-122/U	1	69477-2	38.10 [1.500]	-	-	-	-	9-329461-2	1-331352-7	3-331349-1	X	5-225395-7	
OBSOLETE	RG-188 DOUBLE BRAID	1	220009-1	30.94 [1.218]	-	-	-	21427-2	9-329049-0	1-331352-2	3-331349-1	X	5-225395-6	
OBSOLETE	HEWLETT PACKARD DOUBLE BRAID	1	220190-1	30.94 [1.218]	-	-	-	-	9-50427-1	1-331352-2	3-331349-1	X	5-225395-5	
OBSOLETE	NORTHROP AWG 20	1	220009-1	30.94 [1.218]	-	-	-	21427-2	9-328666-0	1-331352-6	3-331349-1	X	5-225395-4	
OBSOLETE	TROMPETER TWC-124-2 (TWIN-AX)	3	220029-1	30.94 [1.218]	-	-	-	-	9-50428-0	1-331357-3	3-331349-0	X	5-225395-3	
OBSOLETE	IBM 5431030	1	69477-2	30.94 [1.218]	-	-	-	226171-3	9-329049-1	1-331352-4	3-331349-9	X	5-225395-1	
OBSOLETE	IBM 5431030	1	69477-2	30.94 [1.218]	-	-	-	226171-3	9-329049-1	2-331352-5	3-331349-9	X	4-225395-8	
OBSOLETE	1277-81-15-3 UNDERCARPET	1	220009-1	30.94 [1.218]	-	-	228134-2	21427-2	9-328666-0	2-331352-5	3-331349-1	X	4-225395-6	
OBSOLETE	HI-TEMP RG-59/U, TIMES PL59, PLF59	1	69477-1	34.14 [1.344]	-	-	-	-	9-228784-0	1-331352-7	3-331349-0	X	4-225395-4	
SUPERSEDED	BELDEN 88240, HI-TEMP RG-58/U, BERK-TEK BTDC 58	1	69478-1	34.14 [1.344]	-	-	-	-	9-228783-0	1-331357-3	2-331349-9	X	4-225395-2	
SUPERSEDED	HI-TEMP RG-62A/U, TIMES PL62, BELDEN 88241, BERK-TEK BTDC 59 & 62	1	69477-1	34.14 [1.344]	-	-	-	-	9-228784-0	2-331352-3	3-331349-0	X	4-225395-1	
OBSOLETE	BELDEN 9209	1	69477-1	30.94 [1.218]	-	-	-	-	9-50428-1	2-331352-3	3-331349-7	X	4-225395-0	
OBSOLETE	BELDEN 9246	1	69477-2	30.94 [1.218]	-	-	-	226171-3	9-329461-0	2-331352-3	3-331349-1	X	3-225395-9	
SUPERSEDED BY 225395-2	RG-59/U, 62/U	1	69477-1	30.94 [1.218]	-	-	-	-	9-50428-0	2-331352-3	3-331349-6	X	3-225395-8	
OBSOLETE	1277-81-15-3 UNDERCARPET	1	220009-1	30.94 [1.218]	-	-	-	21427-2	9-328666-0	2-331352-5	3-331349-1	X	3-225395-7	
SUPERSEDED BY 225395-8	UNDERCARPET	1	220009-1	34.14 [1.344]	-	-	228134-2	21427-2	9-328666-0	1-331352-4	3-331349-1	X	3-225395-4	
OBSOLETE	BELDEN 9266, 9100 (750)	1	69477-1	30.94 [1.218]	-	-	-	-	9-50428-1	1-331352-7	3-331349-1	X	3-225395-3	
OBSOLETE	BELDEN 9248, 9114 (750)	1	69477-3	30.94 [1.218]	-	-	-	-	9-50427-0	2-331352-2	3-331349-4	X	3-225395-0	
SUPERSEDED BY 4-331350-0	BELDEN 8281, WECO 724	1	220043-1	34.14 [1.344]	-	-	-	-	9-331256-0	1-331352-7	3-331349-2	X	2-225395-9	
OBSOLETE	RG-174/U, W/Ø.180 OUTER JACKET	1	69477-2	30.94 [1.218]	-	-	-	21427-2	9-329049-1	1-331352-2	3-331349-1	X	2-225395-7	
OBSOLETE	RG-62A/U	1	69477-1	34.14 [1.344]	-	-	-	-	226568-2	1-331352-0	3-331349-0	X	2-225395-4	
OBSOLETE	RG-180/U, 180A/U, 195/U W/BRAID DRAIN	1	69477-2	30.94 [1.218]	-	-	-	-	2-328664-1	1-331352-4	3-331349-1	X	2-225395-3	
OBSOLETE	RG-8/U, 8A/U, 213/U	2	220015-1	48.01 [1.890]	-	-	-	-	9-51713-0	225596-2	225887-2	Y	2-225395-1	
SUPERSEDED	BELDEN 8212	1	69477-1	30.94 [1.218]	-	-	-	-	9-50428-0	1-331352-7	3-331349-0	X	2-225395-0	
OBSOLETE	-	-	-	-	-	-	-	-	-	-	-	-	-	1-225395-8
OBSOLETE	-	-	-	-	-	-	-	-	-	-	-	-	-	1-225395-3
OBSOLETE	-	-	-	-	-	-	-	-	-	-	-	-	-	1-225395-2
OBSOLETE	BELDEN 8228	1	69477-3	30.94 [1.218]	-	-	-	-	9-332224-0	1-331352-6	3-331349-2	X	1-225395-1	
OBSOLETE	AMPHENOL 21-597	1	69477-2	30.94 [1.218]	-	-	-	-	9-329461-0	1-331352-2	3-331349-1	X	1-225395-0	
SUPERSEDED	RG-180/U, 180A/U, 195/U	1	69477-2	30.94 [1.218]	-	-	-	-	9-329461-0	1-331352-4	3-331349-1	X	225395-9	
	RG-179/U, 187/U	1	220009-1	30.94 [1.218]	-	-	-	21427-2	9-328666-0	1-331352-4	3-331349-1	X	225395-8	
	RG-174/U, 188/U	1	220009-1	30.94 [1.218]	-	-	-	21427-2	9-328666-0	1-331352-2	3-331349-1	X	225395-7	
	RG-142/U, 142A/U, 142B/U	1	69478-1	30.94 [1.218]	-	-	-	-	9-329099-0	1-331357-4	2-331349-9	X	225395-6	
OBSOLETE	RG-141/U, 141A/U	1	69478-1	30.94 [1.218]	-	-	-	-	9-50427-1	1-331357-4	2-331349-9	X	225395-5	
SUPERSEDED BY 2-331350-3	RG-71B/U	1	69477-1	30.94 [1.218]	-	-	-	-	1-329460-1	2-331352-3	3-331349-0	X	225395-4	
	RG-55/U, 55A/U, 55B/U, 223/U	1	69478-1	30.94 [1.218]	-	-	-	-	9-329099-0	1-331357-3	2-331349-9	X	225395-3	
	RG-59/U, 59A/U, 59B/U, 62/U, 62A/U, 62B/U	1	69477-1	30.94 [1.218]	-	-	-	-	9-50428-0	2-331352-3	3-331349-0	X	225395-2	
	RG-58/U, 58A/U, 58B/U, 58C/U	1	69478-1	30.94 [1.218]	-	-	-	-	9-50427-1	1-331357-3	2-331349-9	X	225395-1	

THIS DRAWING IS A CONTROLLED DOCUMENT.		REVISED BY: E. COWHER 3-10-92	 TE Connectivity
DIMENSIONS: mm [INCHES]	TOLERANCES UNLESS OTHERWISE SPECIFIED:	REVISED BY: W. R. GRAY 3-16-92	
0 PLC ± .015 1 PLC ± .015 2 PLC ± .015 3 PLC ± .015 [0.016] 4 PLC ± .015 ANGLES ± .015	PRODUCT SPEC: 108-12020 APPLICATION SPEC:	NAME: PHILLIPS SIZE: A1 CAGE CODE: 00779 DRAWING NO: 225395	
MATERIAL: -	FINISH: -	WEIGHT: -	RESTRICTED TO: -
CUSTOMER DRAWING		SCALE: 2:1	SHEET 1 OF 1 REV AF4

X-ON Electronics

Largest Supplier of Electrical and Electronic Components

Click to view similar products for [RF Connectors / Coaxial Connectors](#) category:

Click to view products by [TE Connectivity](#) manufacturer:

Other Similar products are found below :

[R125315120](#) [8915-1511-000](#) [89674-0827](#) [5916-1103-603](#) [0106-001-000](#) [6-0001-3](#) [6001-7071-019](#) [6002-7051-003](#) [6002-7551-202](#) [6059674-1](#) [619550-1](#) [630059-000](#) [M39012/25-0021](#) [M39012/79-3008](#) [M39030/3-01N](#) [M39030/3-03N](#) [M3933/25-29N](#) [M3933/25-36N](#) [6500-7071-046](#) [6501-1071-002](#) [M83723/72W24576](#) [M83723/72W2457N](#) [6769](#) [CX050L2AQ](#) [7002-1541-010](#) [7003-1572-002](#) [7004-1512-000](#) [7009-1511-004](#) [7010-1511-000](#) [7029-1511-060](#) [7101-1541-010](#) [7101-1571-002](#) [7105-1521-002](#) [7145-1521-002](#) [7209-1511-011](#) [7210-1511-012](#) [7210-1511-015](#) [7210-1511-019](#) [7210-1511-040](#) [7225-1512-050](#) [7242-1511-000](#) [73137-5015](#) [73216-2241](#) [73251-0111](#) [73251-0672](#) [73276-1501](#) [73366-0013](#) [73404-2300](#) [73413-6080](#) [734151610](#)