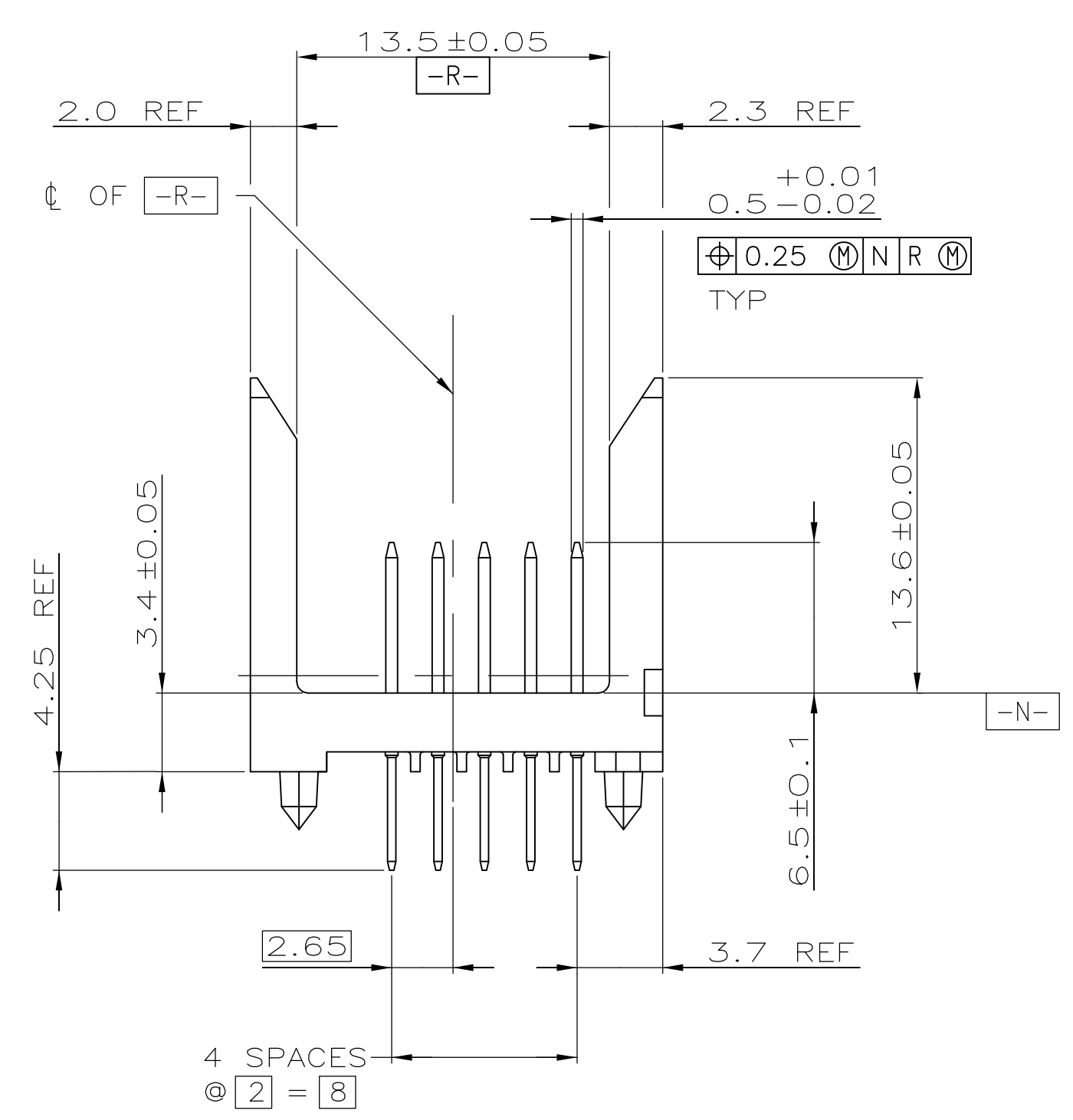
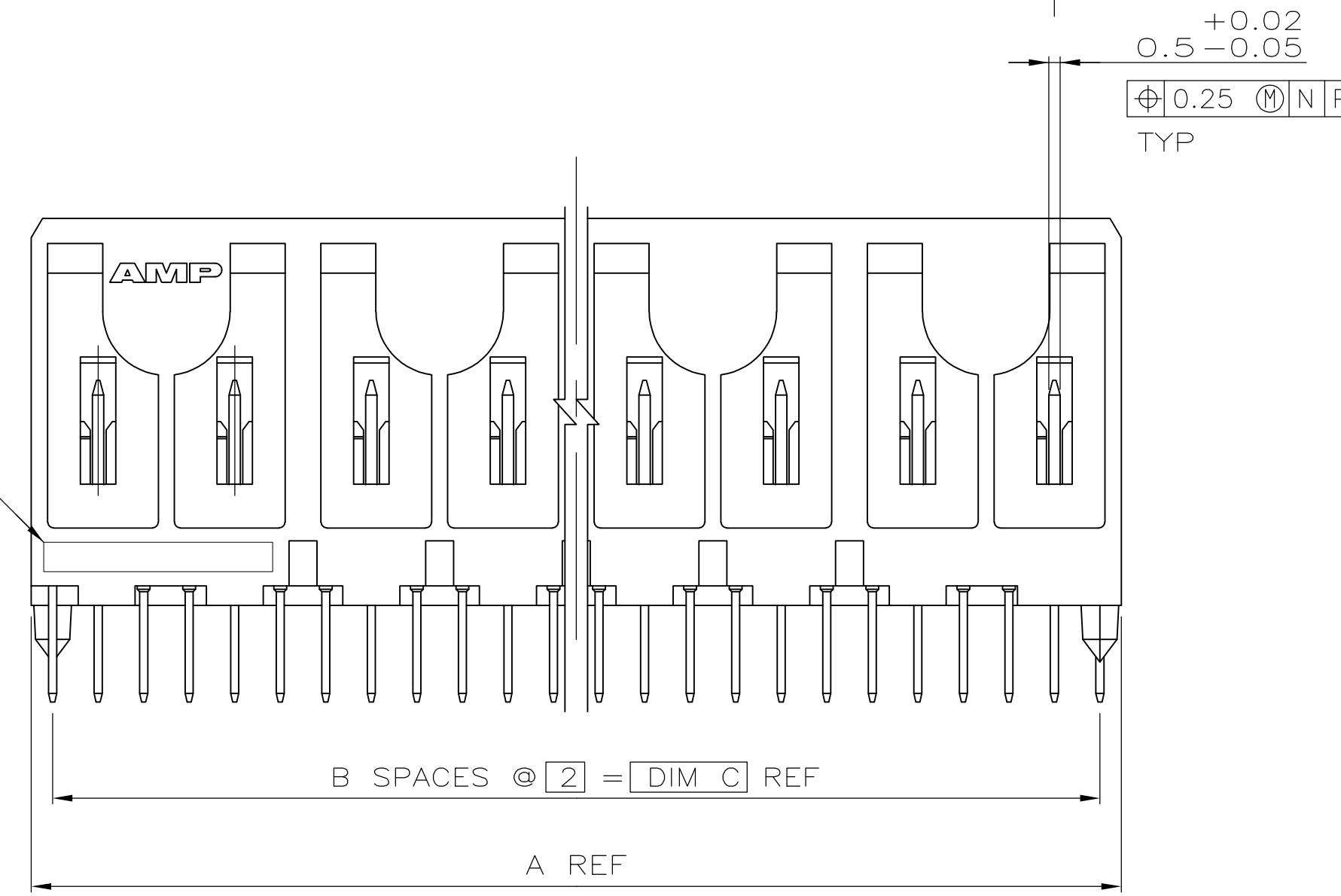
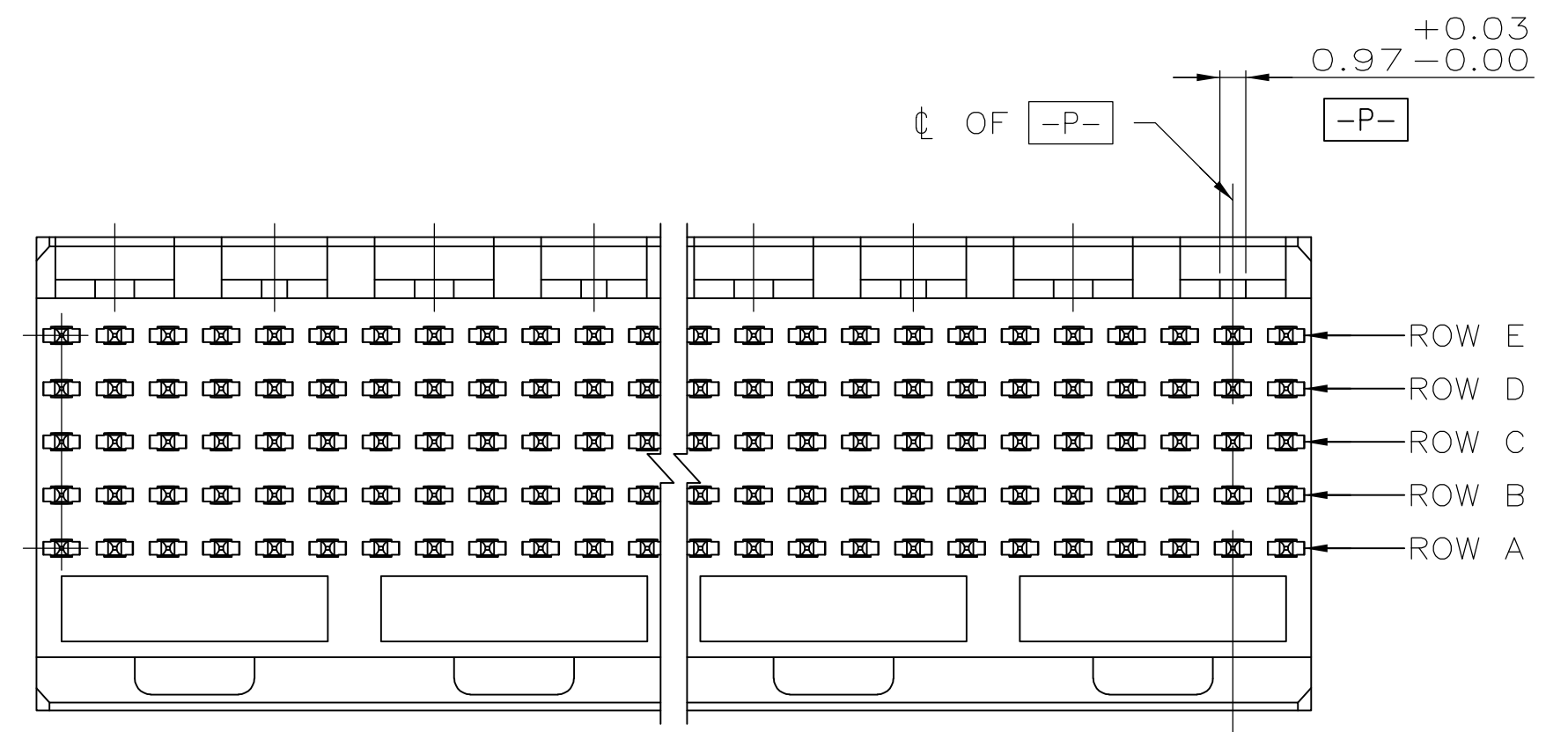
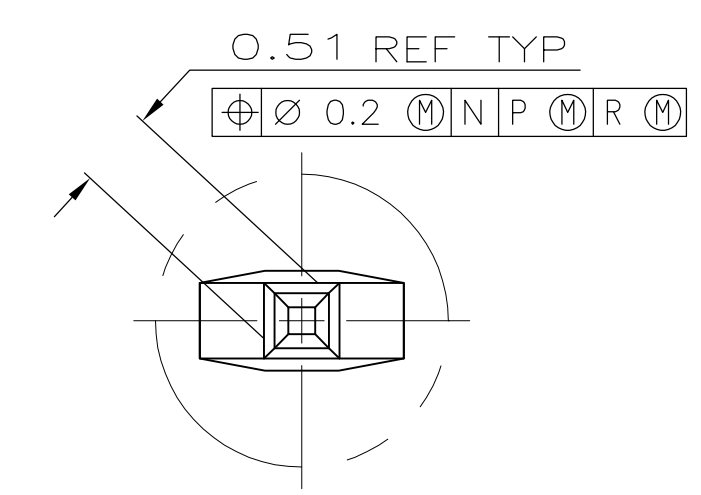


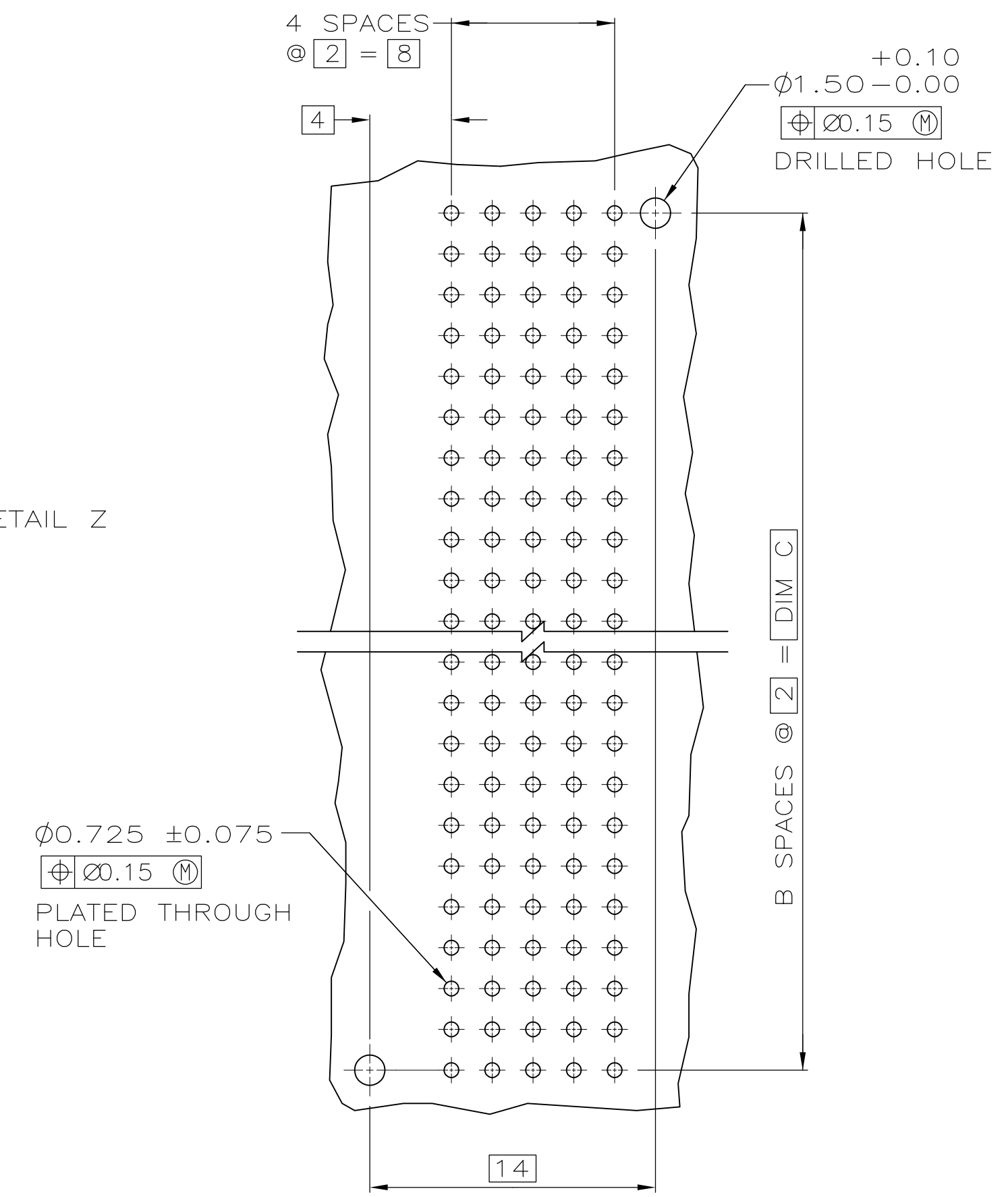
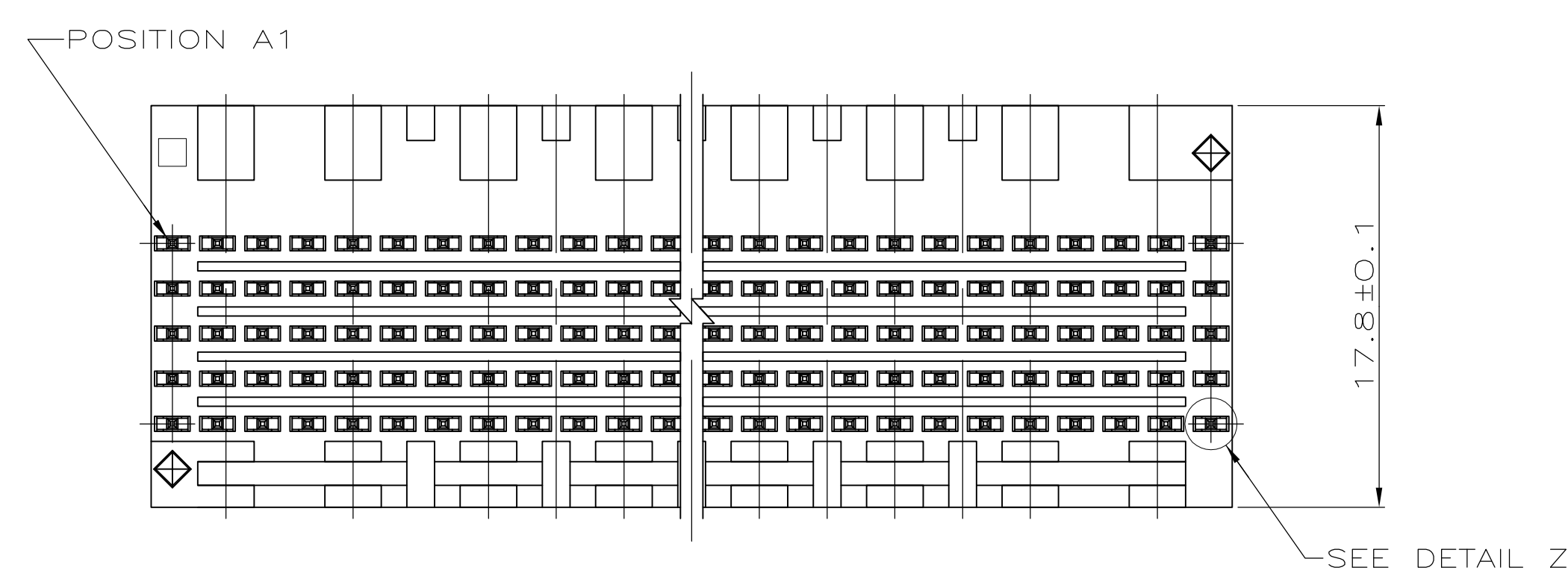
LOC		DIST		REVISIONS			
P	LTR	DESCRIPTION	DATE	DN	APVD		
H		REVISED PER ECR-08-032448	19DEC2008	S.W	S.Y		
H1		REVISED PER ECO-09-021826	07JAN10	KK	AEG		



- 1 HOUSING MATERIAL: LIQUID CRYSTAL POLYMER
COLOR: NATURAL.
- 2 CONTACT MATERIAL: PHOSPHOR BRONZE
- 3 CONTACT FINISH:
UNDERPLATE (ENTIRE CONTACT):
0.00127 MIN NICKEL.
ON MATING SURFACES:
CONFORMS TO ALL TESTING SPECIFIED FOR TELCORDIA
UNCONTROLLED ENVIRONMENT.
ON LEADS
0.00381 MIN TIN-LEAD OVER UNDERPLATE.
LUBRICATION (ENTIRE CONTACT):
SURFACE CONDITIONER PER AMP SPEC 112-1002 AFTER PLATING.
- 4 PART MARKING LOCATED APPROXIMATELY AS SHOWN.
- 5 OBSOLETE PARTS: OBSOLETE CIS STREAMLINING
PER D.RENAUD/D.SINISI



DETAIL Z
SCALE 20:1



RECOMMENDED CIRCUIT PATTERN
(COMPONENT SIDE)

REV	DESCRIPTION	DATE	BY	CHK	APP'D	NO OF SIGNAL POSN	PART NUMBER
5	OBSOLETE	130	65	131.88	330	1-223000-1	
5	OBSOLETE	118	59	119.88	300	1-223000-0	
5	OBSOLETE	106	53	107.88	270	223000-9	
5	SUPERSEDED BY 5223000-8	94	47	95.88	240	223000-8	
5	OBSOLETE	82	41	83.88	210	223000-7	
	SUPERSEDED	70	35	71.88	180	223000-6	
		58	29	59.88	150	223000-5	
		46	23	47.88	120	223000-4	
		34	17	35.88	90	223000-3	
		22	11	23.88	60	223000-2	
		10	5	11.88	30	223000-1	

THIS DRAWING IS A CONTROLLED DOCUMENT.

DIN R BUCHHEISTER 10/JAN/96
 CHK D BAECHTLE 11/JAN/96
 APP'D D SINISI 11/JAN/96

TOLERANCES UNLESS OTHERWISE SPECIFIED:
 0 PLC ± -
 1 PLC ± -
 2 PLC ± 0.13
 3 PLC ± -
 4 PLC ± -
 ANGLES ± -

MATERIAL FINISH

APPROVED BY: D. SINISI
 PRODUCT SPEC: ASSEMBLY, PIN, SIGNAL, VERTICAL, Z-PACK 2mm FB, 5 ROW, SOLDER LEAD
 APPLICATION SPEC: -
 SIZE: A1
 CAGE CODE: 00779
 DRAWING NO: 223000
 WEIGHT: -
 CUSTOMER DRAWING

Tyco Electronics Corporation
 Shanghai, P.R.China, 200233

SCALE: 4:1 SHEET: 1 OF 1 REV: H1

X-ON Electronics

Largest Supplier of Electrical and Electronic Components

Click to view similar products for [High Speed/Modular Connectors](#) category:

Click to view products by [TE Connectivity](#) manufacturer:

Other Similar products are found below :

[2332816-1](#) [89006-1137LF](#) [650827-1](#) [65762-001LF](#) [73474-201LF](#) [74040-1346](#) [74075-0267](#) [88911-201LF](#) [9514M0C20D](#) [1410191-1](#)
[1410337-1](#) [1410368-3](#) [1410964-2](#) [1410326-3](#) [1410367-3](#) [1410971-4](#) [1467833-1](#) [2000877-1](#) [2000878-1](#) [2041314-1](#) [2065387-1](#) [2187307-1](#)
[2187462-1](#) [2226278-6](#) [KA81-07](#) [91290-101LF](#) [1934290-1](#) [2000875-1](#) [2065917-1](#) [2102736-2](#) [FSR-40](#) [2169868-2](#) [2226279-2](#) [22354-8](#) [437-](#)
[5040-000](#) [5-1393565-0](#) [532449-3](#) [532803-2](#) [34745-0001](#) [0740618502](#) [0760151403](#) [0760551105](#) [0760551608](#) [0761451128](#) [0761651124](#)
[0761655108](#) [0761659807](#) [0769853208](#) [0736440217](#) [0758324203](#)