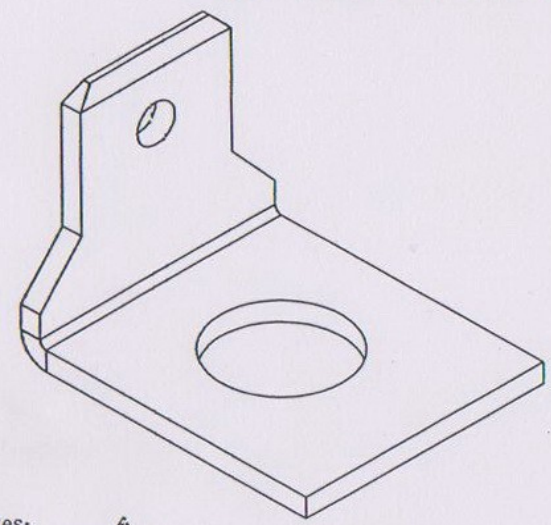
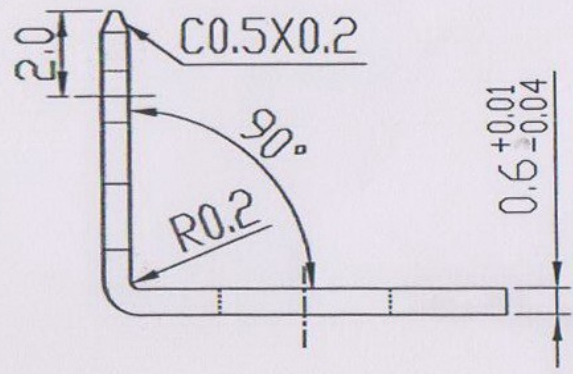
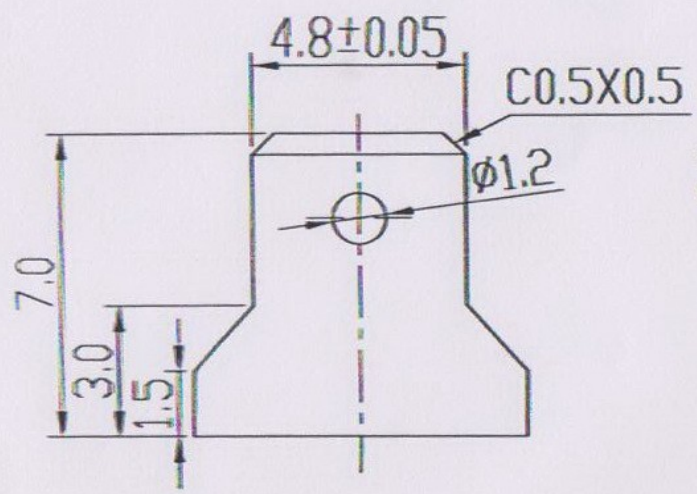
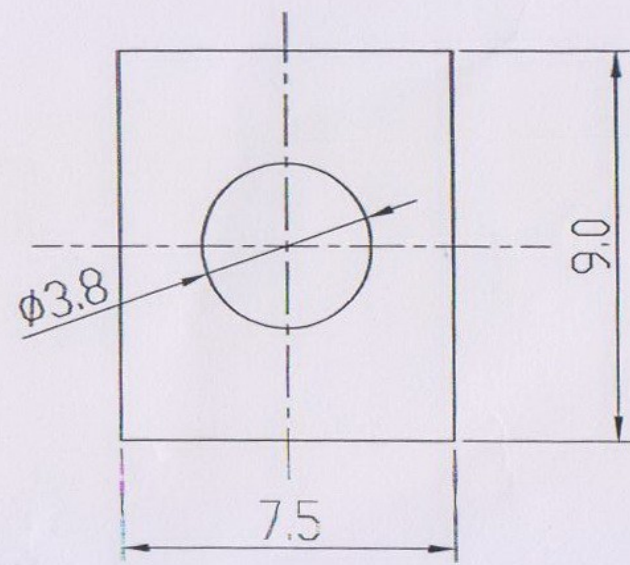


REVISION RECORD			
REV	ECD	DESCRIPTION	DRFT DATE
△		增加材质牌号,修改电镀标准	YHG 10/15/09



Notes:

1. Material: H62 H/2, T=0.6mm;
2. Plating: Cu plated at the bottom is more than 2um; Ni plated on the surface is more than 2um; Sn plated at the bottom is more than 4um;
3. Undimensioned Tolerances:



Pitch range in mm		Nominal dimension range in mm					
to	over	over	over	over	over		
6	6 to 10	10 to 24	30 to 60	60 to 100	100 to 150	150	
±0.10	±0.15	±0.25	±0.2	±0.3	±0.5	±0.7 ± 1.0 0.05/0	



1	K4	C0410	H62	SnCe	
ITEM	NAME OF PART	NC. OF PART	Q'TY	MATERIAL	NOTES
MM (LINE) INFO: YHG TOLERANCES EXCEPT AS NOTED: CHK BY DATE: 11/11/08 MFD DATE: 0-3-08 APPR: Haug DATE: 10/15/09		DEGSON 宁波高正电子有限公司 DEGSON ELECTRONICS CO., LTD NAME: K4-00A (H)			
ANGLES ± 1° THIRD ANGLE PROJECTION		G.E.: FINISH: SCALE: 1:1		DRAWING NO: K4-E01 PART NO: DC NOT SCALE DRAWING	
			SIZE: A4	REV: T1	DATE: 10/23/09
			SHEET 1	OF 1	

X-ON Electronics

Largest Supplier of Electrical and Electronic Components

Click to view similar products for [Terminals](#) category:

Click to view products by [Degson](#) manufacturer:

Other Similar products are found below :

[HT-13-10](#) [71M-250-32-NB](#) [01-2065-1-0216](#) [00581P0075](#) [M10-10RX](#) [M10BCK](#) [60205-1](#) [604200-1](#) [60598-1-CUT-TAPE](#) [60617-1-C](#) [60873-1](#) [M14-516R/SK](#) [M14-6RSX](#) [M18-10FLX](#) [M18-8FBX](#) [M18-8R/LX](#) [M18BCK](#) [61314-6-C](#) [61-S](#) [61-SN-A](#) [62-NBM-A](#) [63-S](#) [640179-1](#) [640917-2-CUT-TAPE](#) [6501550002](#) [66107-2-C](#) [66107-4-C](#) [696683-1](#) [696834-1](#) [696861-1](#) [696931-1](#) [696999-1](#) [M8-516RK](#) [M86700006](#) [MA250DMFMX-A](#) [701-2007](#) [701-2307](#) [701-7761-03](#) [70F-110-32-PB](#) [718-N-A](#) [71M-187-20-NBL](#) [71M-250-32-NBL](#) [72F-187-20-NBL](#) [72M-250-32-NBL](#) [7310](#) [73F-250-32](#) [73F-250-32-NBL](#) [73F-250-32-NL](#) [F14-10C](#) [F-1M](#)