

| PART NO. | "A" REF. | MAX. BUNDLE DIA. "B" | TO BE USED WITH | FIGURE NO. |
|--------------|------------|----------------------|-----------------|------------|
| CAT-05-PP-BL | 2.09 (53) | .24 (6) | SHR-05-YYY* | 2 |
| CAT-08-PP | 2.80 (71) | .37 (9.5) | SHR-08-YYY* | 1 |
| CAT-15-PP | 3.19 (81) | .63 (16) | SHR-15-YYY* | |
| CAT-20-PP | 3.94 (100) | .79 (20) | SHR-20-YYY* | |
| CAT-25-PP | 4.45 (113) | .96 (24.5) | SHR-25-YYY* | |
| CAT-32-PP | 5.67 (144) | 1.22 (31) | SHR-32-YYY* | |

*YYY-SHR MATERIAL

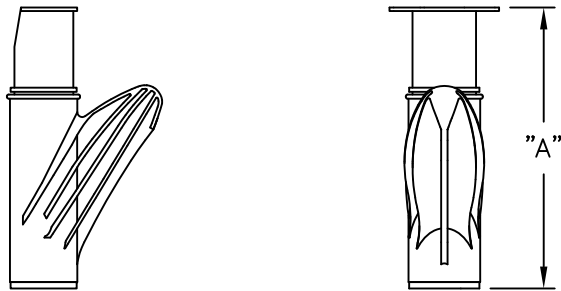
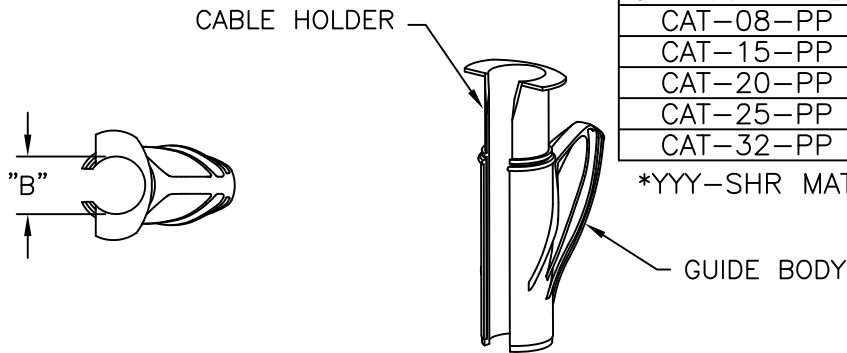


FIGURE 1.
MATERIAL: A) GUIDE BODY: -POLYPROPYLENE (RMS-268); COLOR: ORANGE.
B) CABLE HOLDER - POLYACETAL (RMS-267), COLOR: WHITE

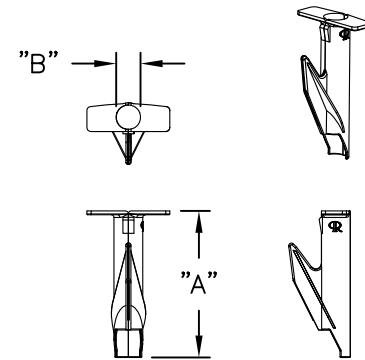


FIGURE 2.
MATERIAL: POLYPROPYLENE (RMS-150); COLOR: BLUE.

NOTES:

- FIGURE 1. TOOL AVAILABLE IN BULK PACKAGES OF 100/BOX. TO ORDER ADD "-BU" TO THE PART NO.
- CAT-20, "-25" AND "-32" AVAILABLE IN GLASS FILLED NYLON (RMS-253) FOR HEAVY DUTY APPLICATION. TO ORDER, REPLACE "-PP" WITH "-IX"; COLOR: BLUE.

| TITLE: CABLE APPLICATOR TOOL | | | DWG IN IN (MM) | | FINAL | |
|------------------------------|---------------------------|-------------|----------------|--------------|--|------------|
| D | SEE CO 200297 FOR CHANGES | SK 12.16.08 | FILE # | CAT | DWN: SM | APP: |
| C | SEE CO 200219 FOR CHANGES | SK 07.21.08 | MAT'L: | SEE NOTES | DT: 03.01.02 | DT: |
| B | SEE ECN #1319 FOR CHANGES | SK 04.19.07 | RE: | RICHCO, INC. | RICHCO INC. PO BOX 804238, CHICAGO, 60680 (773) 539-4060 | |
| A | REDRAWN FROM RICHCO UK | SM 03.01.02 | | | PART # | PRINT TYPE |
| REV | DESCRIPTION | ENGR DATE | | | SEE TABLE | CA |

X-ON Electronics

Largest Supplier of Electrical and Electronic Components

Click to view similar products for [Conduit Fittings & Accessories](#) category:

Click to view products by [Richco](#) manufacturer:

Other Similar products are found below :

[S53.35A](#) [260-416](#) [DM0240-1/2A](#) [817.612.0](#) [55506625](#) [1.511.2001.50](#) [1.533.1601.50](#) [1.533.2001.50](#) [52005810](#) [817.716.0](#) [712.015.0](#) [216-420](#) [2276](#) [2663-P](#) [C2070-P](#) [3582V](#) [2643-P](#) [4975](#) [2644-P](#) [90480](#) [2404-P](#) [1047561](#) [2723-P](#) [55506355](#) [1.513.1101.14](#) [55502461](#) [55502462](#) [55502463](#) [55502464](#) [55502473](#) [166-22214](#) [166-22215](#) [166-24800](#) [166-25801](#) [166-30318](#) [SHR-C1](#) [2037 12-20 LGR](#) [2037 16-24 LGR](#) [HP50SS](#) [55502470](#) [SH PA6 BL ND10](#) [5308 946](#) [295.012.0](#) [2955 M16](#) [2955 M25](#) [2955 M32](#) [2955 M40](#) [297.212.0](#) [297.240.0](#) [298.012.0](#)