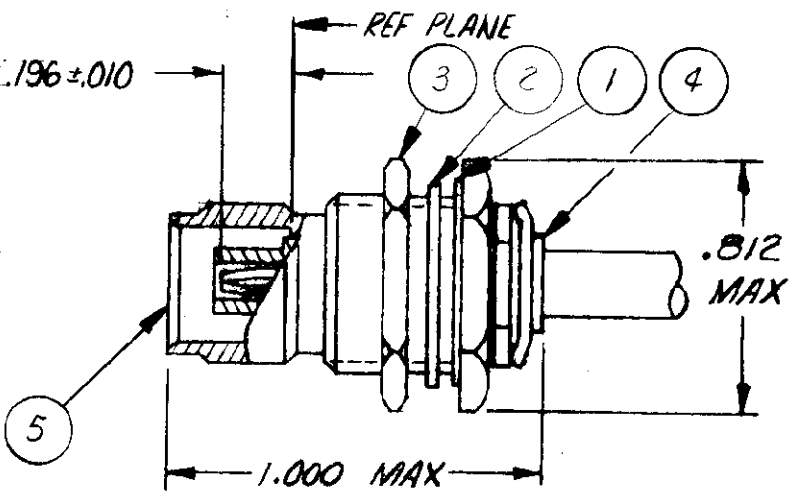
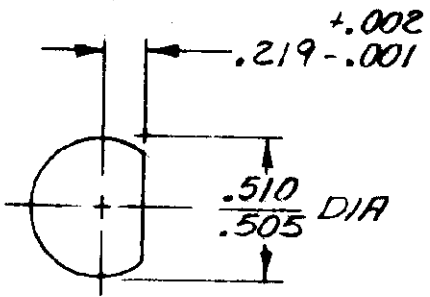


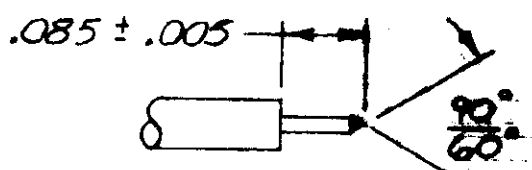
REVISIONS					
P	F	LTR	DESCRIPTION	DATE	BY
1		B	REVISED PER FC 0220-0213-94	11/28/54	11/28/54



1. FOR USE WITH RG-402/U .141 SEMI-RIGID CABLE
2. .250 MAX PANEL THK
3. USE INSTRUCTION SHEET 670



SUGGESTED PANEL CUTOUT



RECOMMENDED STRIP LENGTH

ITEM	QTY	DESCRIPTION	PART NO
5	1	JACK ASSY	228503-1
4	1	ADAPTOR ASSY	228946-1
3	1	JAM NUT	1-329631-2
2	1	LOCKWASHER	1-329632-2
1	1	GASKET	329633

THIS DRAWING IS UNPUBLISHED. RELEASED FOR PUBLICATION
 BY AMP INCORPORATED, HARRISBURG, PA. ALL INTERNATIONAL RIGHTS RESERVED. AMP PRODUCTS MAY BE COVERED BY U.S. AND FOREIGN PATENTS AND/OR PENDING APPLIC.

COPYRIGHT 1954 AMP INCORPORATED

UNLESS OTHERWISE SPECIFIED, DIMENSIONS ARE IN INCHES. TOLERANCES ON DIMENSIONS: FRACTIONS DECIMALS ±.005 ±.005 ±.005

MATERIAL _____
 FINISH _____

CONTRACT NO _____
 DR *T. Smith* 9/20/52
 DES *R. L. Vanturel* 8-26-52
 APPD *R. H. ...*
 APPD *T. Smith* 8/21/52
 DSGN APPD _____
 OTHER APPD _____

AMP | AMP INCORPORATED
 Harrisburg, Pa. 17105

NAME *CONNECTOR, COAXIAL, RF JACK, REAR MOUNTED, SERIES TNC*

SIZE A	FSCM NO 00779	DRAWING NO 228502-1
SCALE <i>NTS</i>	SHEET _____	

X-ON Electronics

Largest Supplier of Electrical and Electronic Components

Click to view similar products for [RF Connectors / Coaxial Connectors](#) category:

Click to view products by [TE Connectivity](#) manufacturer:

Other Similar products are found below :

[R125315120](#) [8915-1511-000](#) [89674-0827](#) [5916-1103-603](#) [0106-001-000](#) [6-0001-3](#) [6001-7071-019](#) [6002-7051-003](#) [6002-7551-202](#) [6059674-1](#) [619550-1](#) [630059-000](#) [M39012/25-0021](#) [M39012/79-3008](#) [M39030/3-01N](#) [M39030/3-03N](#) [M3933/25-29N](#) [M3933/25-36N](#) [6500-7071-046](#) [6501-1071-002](#) [M83723/72W24576](#) [M83723/72W2457N](#) [6769](#) [CX050L2AQ](#) [7002-1541-010](#) [7003-1572-002](#) [7004-1512-000](#) [7009-1511-004](#) [7010-1511-000](#) [7029-1511-060](#) [7101-1541-010](#) [7101-1571-002](#) [7105-1521-002](#) [7145-1521-002](#) [7209-1511-011](#) [7210-1511-012](#) [7210-1511-015](#) [7210-1511-019](#) [7210-1511-040](#) [7225-1512-050](#) [7242-1511-000](#) [73137-5015](#) [73216-2241](#) [73251-0111](#) [73251-0672](#) [73276-1501](#) [73366-0013](#) [73404-2300](#) [73413-6080](#) [734151610](#)