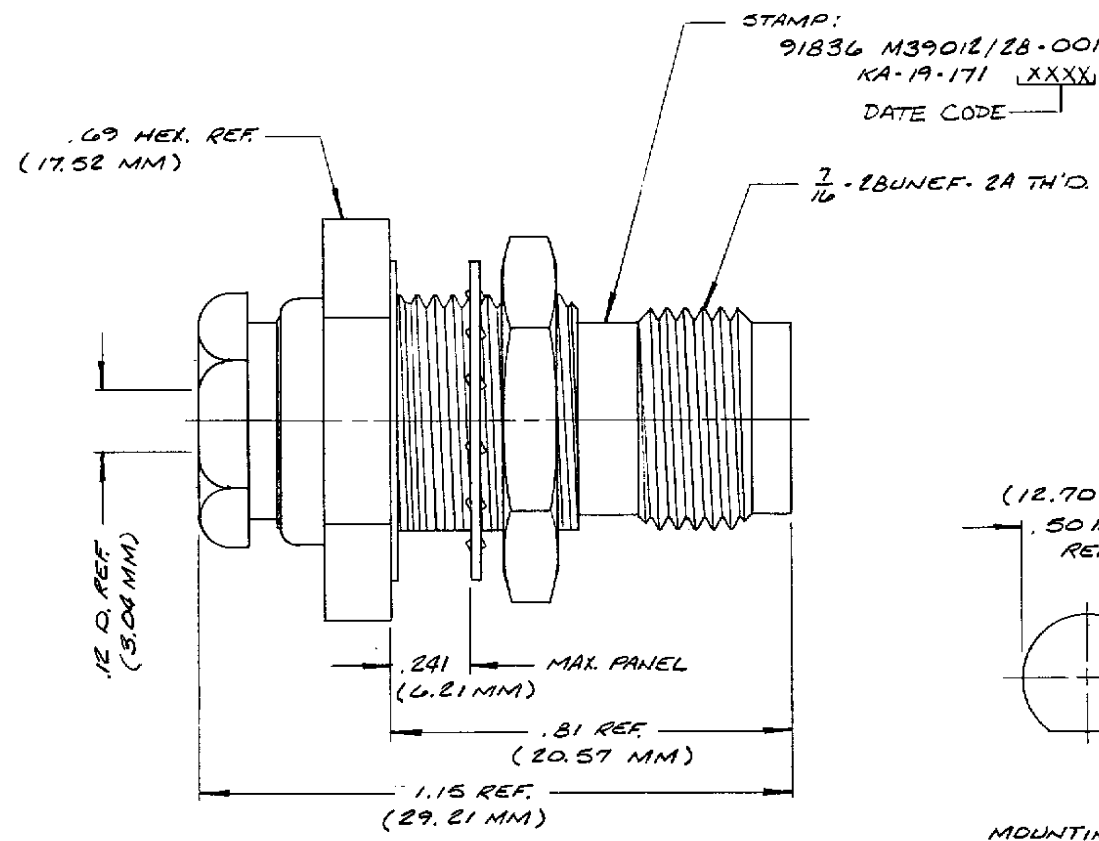


**REVISIONS**

ISSUE	CHANGES
1	CN 22767 E JEP 17 NOV 81
2	CN 32302 A LNM 20 JUN 90
3	CN 32955 A WJM 12 MAR 91

**GSD**

M39012/28-0018


**NOTES:**

- FOR USE WITH RG-174 & 3161U CABLES.
- FOR CABLING INSTRUCTIONS SEE CP-1050.
- MATERIALS:

CENTER CONTACT - BERYLLIUM COPPER, QQ-C-530.  
 LOCKWASHER - PHOSPHOR BRONZE, QQ-B-750.  
 ALL OTHER METAL PARTS - BRASS, QQ-B-626  
 GASKETS - SILICONE RUBBER, ZZ-R-765.  
 INSULATOR - TEFLON, L-P-403.

**(NOTES CONT'D.)**

- FINISHES:  
 CENTER CONTACT - GOLD PLATE, MIL-G-45204B  
 ALL OTHER METAL PARTS - SILVER PLATE, QQ-6-365.
- ELECTRICAL CHARACTERISTICS:  
 NOMINAL IMPEDANCE - 50 Ω OHMS  
 FREQUENCY RANGE - DC-11GHZ  
 WORKING VOLTAGE - 500 RMS

**UNLESS OTHERWISE SPECIFIED:**

- TOLERANCES: FRACTIONS & 2 PLACE DECIMALS ± .010  
 3 PLACE DECIMALS ± .004      ANGLES ± 0°30'
- REMOVE ALL BURRS, BREAK SHARP EDGES .005 MAX.
- NO FILLETS PERMITTED.
- SURFACE ROUGHNESS 63 MICROINCHES RMS MAX.
- ALL DIMENSIONS PRIOR TO PLATING.
- ALL PLATING IN ACCORDANCE WITH KER 10004.

SCALE:	4:1
APPROX. SURFACE AREA:	
	KA-19-171
USED ON:	
REF:	
	TNC BULKHEAD JACK

DRAWN	MCD	DATE	21 DEC 83
APPR.	MJB	DATE	22 DEC 83

**KINGS**  
 ELECTRONICS CO., INC.  
TELEPHONE: NEW YORK 10781
**GSD**

M39012/28-0018

## X-ON Electronics

Largest Supplier of Electrical and Electronic Components

*Click to view similar products for [RF Connectors / Coaxial Connectors](#) category:*

*Click to view products by [Winchester](#) manufacturer:*

Other Similar products are found below :

[R125315120](#) [8915-1511-000](#) [89674-0827](#) [5916-1103-603](#) [0106-001-000](#) [6-0001-3](#) [6001-7071-019](#) [6002-7051-003](#) [6002-7551-202](#) [6059674-1](#) [619550-1](#) [630059-000](#) [M39012/25-0021](#) [M39012/79-3008](#) [M39030/3-01N](#) [M39030/3-03N](#) [M3933/25-29N](#) [M3933/25-36N](#) [6500-7071-046](#) [6501-1071-002](#) [M83723/72W24576](#) [M83723/72W2457N](#) [6769](#) [CX050L2AQ](#) [7002-1541-010](#) [7003-1572-002](#) [7004-1512-000](#) [7009-1511-004](#) [7010-1511-000](#) [7029-1511-060](#) [7101-1541-010](#) [7101-1571-002](#) [7105-1521-002](#) [7145-1521-002](#) [7209-1511-011](#) [7210-1511-012](#) [7210-1511-015](#) [7210-1511-019](#) [7210-1511-040](#) [7225-1512-050](#) [7242-1511-000](#) [73137-5015](#) [73216-2241](#) [73251-0111](#) [73251-0672](#) [73276-1501](#) [73366-0013](#) [73404-2300](#) [73413-6080](#) [734151610](#)