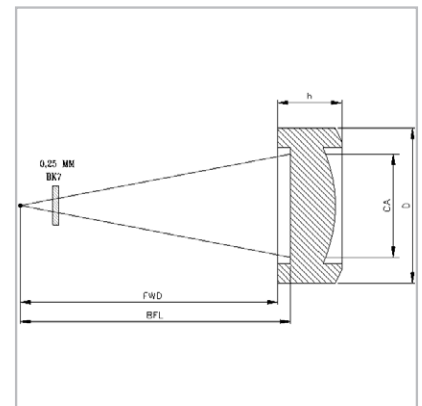


Overview Plastic Collimating Lenses

General Data

- Transmission [%]: 90
- Lens Material: Optical Plastic
- Designed with Laser Coverglass: BK7, 0.25 mm thick, 0.55 mm from source
- Designs available in Zemax
- Lenses could be used at other wavelengths than the design wavelengths*



	CAY033/40	CAY033		CAY046		CAY046/55		CAX100	CAW100	CAX183	
Lenstype	bi-aspherical	bi-aspherical		bi-aspherical		mono-aspherical		mono-aspherical	bi-aspherical	mono-aspherical	
Outer Diameter D [mm]	Ø4.00	Ø7.40		Ø7.40		Ø5.50		Ø6.28	Ø5.20	Ø6.28	
Thickness lens h [mm]	3.00	3.05		2.70		2.70		1.25	2.44	2.44	
N. A.	.38	.40		.40		.37		.20	.195	.12	
Clear Aperture CA [mm]	2.50	2.70		3.70		3.40		4.10	3.90	4.30	
Wavelength [nm]*	670	670	785	670	780	670	780	670	785	670	785
Focal Length [mm]	3.35	3.30	3.32	4.60	4.62	4.60	4.62	9.97	9.85	18.18	18.33
Back Focal Length BFL [mm]	2.07	2.08	2.10	3.10	3.12	3.09	3.12	9.17	8.40	17.51	17.69
Free Working Distance FWD [mm]	1.97	1.97	2.00	3.00	3.02	2.89	2.92	8.44	8.30	16.30	16.48
RMS Wavefront [ml]											
on axis	40	40		40		40		80	40	30	
total	65	65		70		80		90	50	35	
Optical Tolerance [mm]	.10	.10		.10		.10		.10	.15	.10	
Field Radius [mm]	.05	.05		.10		.10		.20	.15	.30	
Storage Temperature [°C]	-25 to 70	-25 to 70		-10 to 70		-25 to 70		0 to 65	0 to 65	-25 to 100	
Operating Temperature [°C]	5 to 65	5 to 65		5 to 65		5 to 65		0 to 65	0 to 65	-10 to 75	

X-ON Electronics

Largest Supplier of Electrical and Electronic Components

Click to view similar products for [LED Lighting Lenses](#) category:

Click to view products by [Laser Components](#) manufacturer:

Other Similar products are found below :

[LL01ED-AK40L06](#) [LL01ZZ-EX25L06-M2](#) [180182-0000](#) [FNP-N2-N083-0R NRW](#) [LL01ED-ALI55R49](#) [0190535300](#) [0410111300](#)
[0510113303](#) [0530997](#) [2710121](#) [C11004_TINA2-RS](#) [C12231_LENA-FRESNEL-LENS](#) [LL01ED-AKY24R49](#) [LL01CR-AYG15R49](#)
[LL01CR-OT32L06-M2](#) [LL01ZZ-AAA24L49](#) [LL01CR-CEN38L02](#) [LL01ZZ-AAA55L49](#) [LL01CR-AYG24R49](#) [LL01A00CZMB2-M2](#)
[LL01ED-AKY38R49](#) [LL01CR-CNE2545L06-M2](#) [LL01ZZ-AAA38L49](#) [LL01ED-AKV36R49](#) [LL01ED-ALI24R49](#) [LL01CR-AYG38R49](#)
[FN15973_RONDA-REC-60-C](#) [F16859_LINDA-ZT25](#) [C14169_LENA-CLEAR-LENS](#) [C16125_OLGA-W](#) [C17410_SPORT-2X2-FT6](#)
[C17414_SPORT-2X2-S6](#) [C17409_SPORT-2X2-FT6W](#) [C17360_SPORT-2X2-FT60](#) [C17434_ILONA-WW](#) [F16636_LINDA-W60](#) [10003](#)
[10003/15](#) [10048](#) [10049](#) [10108](#) [CP10960_RGBX-SS](#) [CP12395_LXP3-W](#) [10415](#) [10510](#) [1-1000288-0](#) [F14487_FLORENCE-1R-MAXI-WG](#)
[12667](#) [C14165_STRADA-2X2-ME-WIDE2](#) [C14605_HB-2X2-RW](#)