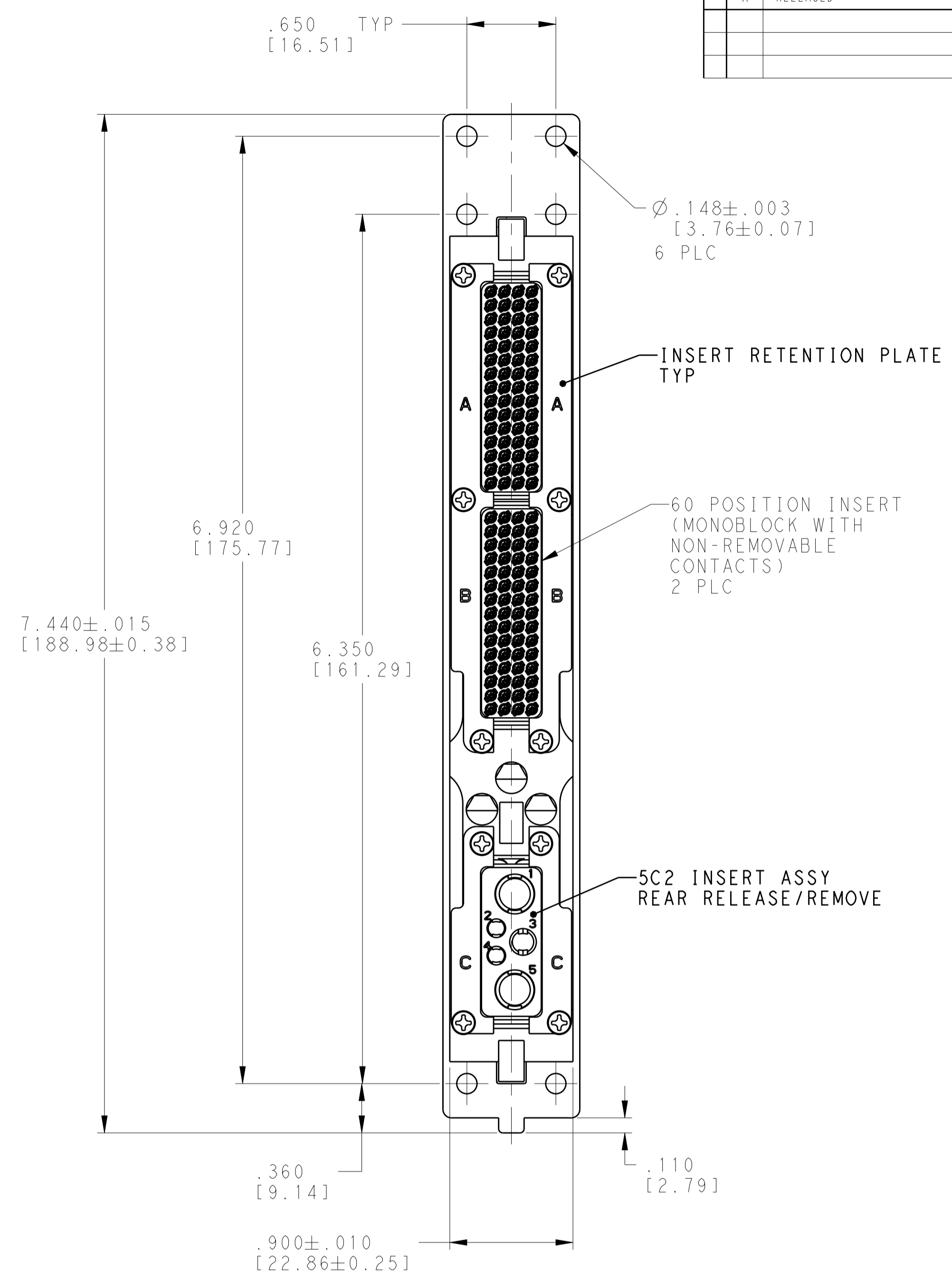
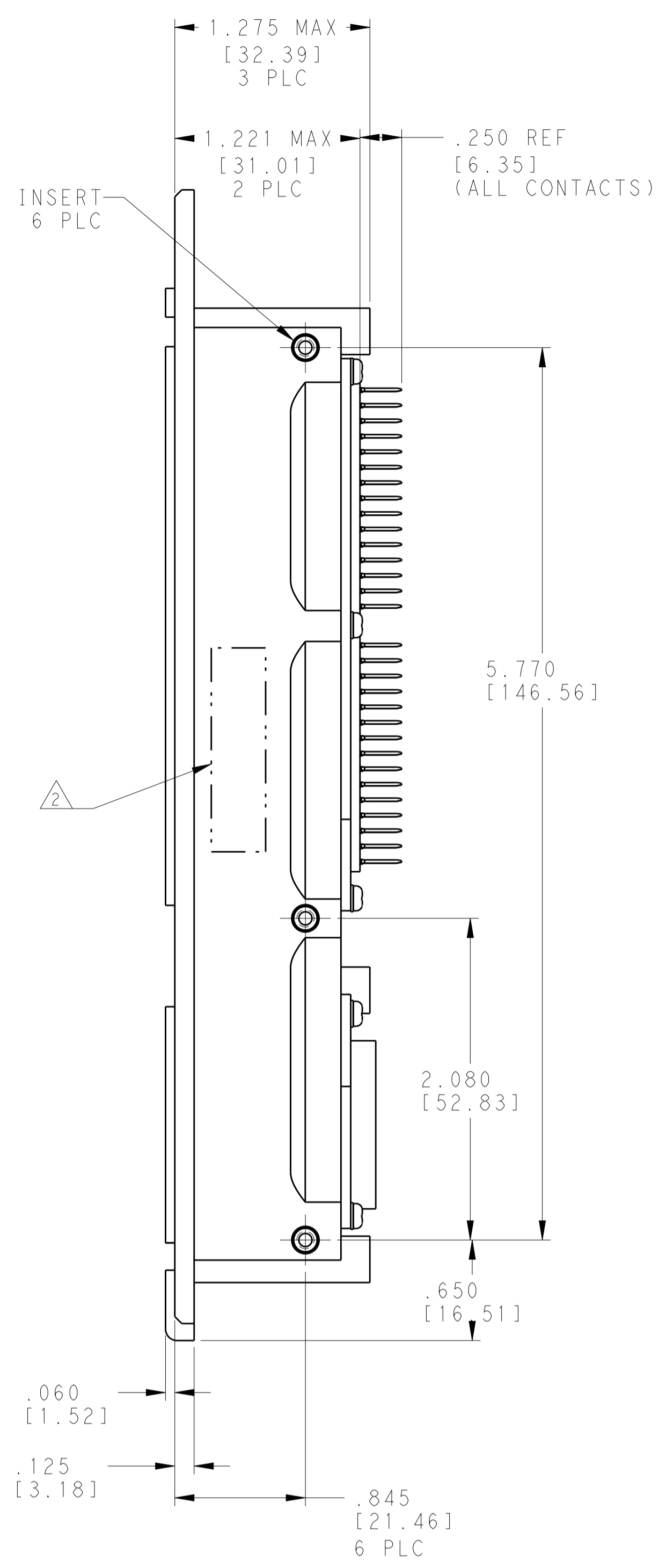
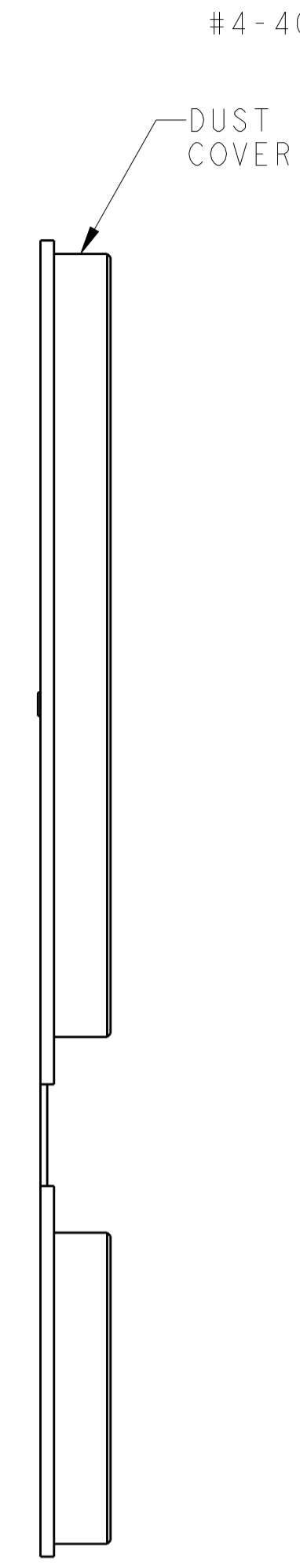
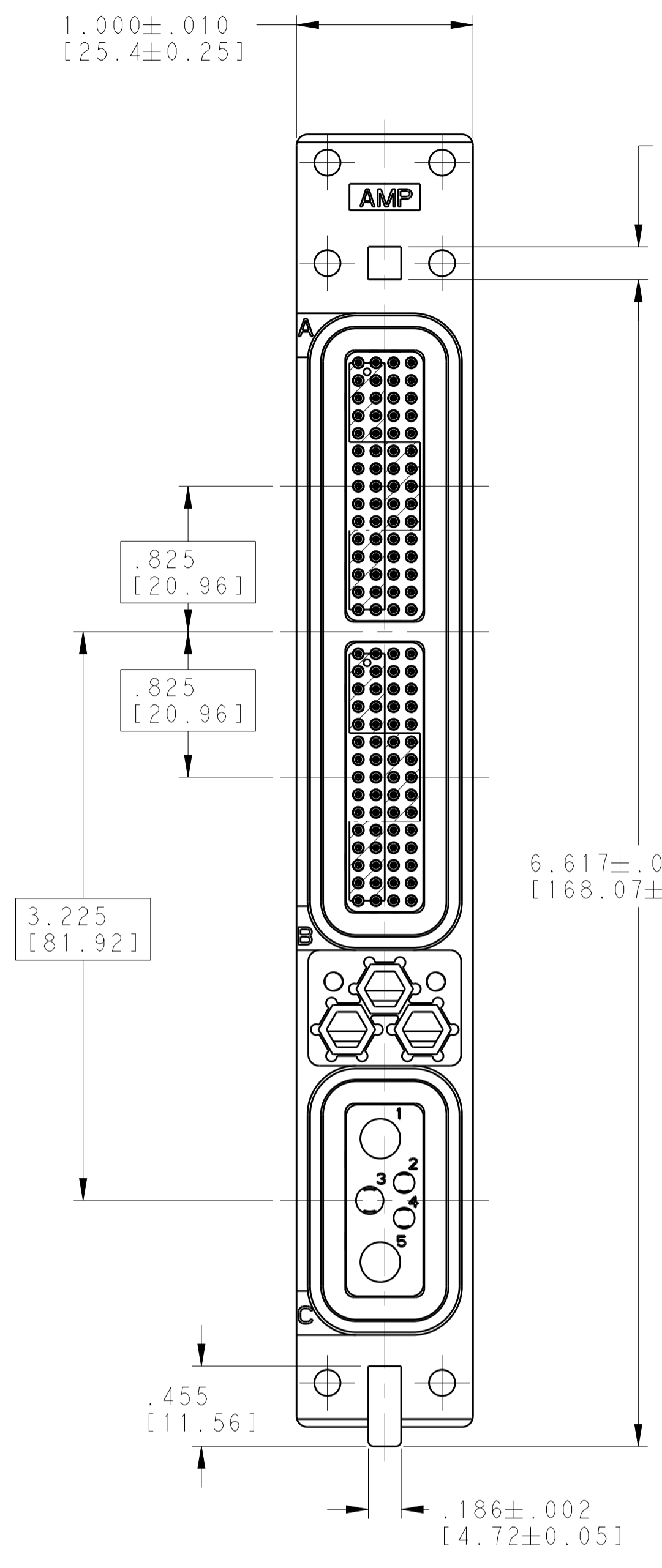


LOC		DIST		REVISIONS			
P	LTN	DESCRIPTION	DATE	DWN	APVD		
A		RELEASED	6-22-15	CT	WB		



COMPONENT	MATERIAL	FINISH	REMARKS
SIZE 22 STAMPED AND FORMED SOCKET CONTACTS QTY = 120	BODY: COPPER ALLOY HOOD: STAINLESS STEEL	BODY: .000050 [0.00127] MIN GOLD ON MATING TINES, SnPb ON TAIL, BOTH OVER NICKEL PLATE HOOD: PASSIVATED	ONE PIECE DESIGN WITH NON-REMOVABLE CONTACTS
60 POSITION INSERT 2 PLC	THERMOPLASTIC	NONE	ONE PIECE DESIGN WITH NON-REMOVABLE CONTACTS
5C2 INSERT	THERMOPLASTIC	NONE	--
POLARIZATION KEYWAY	ZINC ALLOY PER ASTM-B-86	--	--
KEYWAY RETAINER PLATE	ALUMINUM ALLOY	BLUE ANODIZED PER MIL-A-8625	--
SHELL RETENTION PLATES	ALUMINUM ALLOY PER ASTM-B-85 ALUMINUM ALLOY PER ASTM-B-209	CHROMATE CONVERSION PER MIL-DTL-5541 TYPE II, CLASS 3	--

- 1 ASSEMBLED CONNECTOR FEATURES COMPLY WITH ARINC 600 SPECIFICATION EXCEPT AS NOTED.
- 2 TE PART NO. AND DATE CODE MARKED IN THIS AREA.
- 3. KEYING INSTALLED IN POSITION "01".
- 4. CONNECTOR IS SUPPLIED WITH A DUST COVER INSTALLED FOR SHIPPING.
- 5. MODULE A:
NON-REMOVABLE SIZE 22 POSTED SOCKET CONTACTS, QTY = 60
MODULE B:
NON-REMOVABLE SIZE 22 POSTED SOCKET CONTACTS, QTY = 60
MODULE C:
NO CONTACTS

"01"	2293024-1
KEYING POSITION	PART NUMBER

THIS DRAWING IS A CONTROLLED DOCUMENT.

DIMENSIONS: INCHES [mm]

TOLERANCES UNLESS OTHERWISE SPECIFIED:

0 PLC	±
1 PLC	±
2 PLC	±
3 PLC	±
4 PLC	±
ANGLES	±

MATERIAL: SEE TABLE
FINISH: SEE TABLE

W. BERNHART 6-22-15
W. BERNHART 6-22-15

RCPT ASSY, SZ 1, ARINC 600 (60/60/5C2) WITH SIZE 22 STAMPED AND FORMED CONTACTS

SIZE: A1
CAGE CODE: 2293024
DRAWING NO: 2293024

Customer Drawing
SCALE: 3:2
SHEET: 1 OF 1
REV: A

X-ON Electronics

Largest Supplier of Electrical and Electronic Components

Click to view similar products for te connectivity manufacturer:

Other Similar products are found below :

[570416-000](#) [CLTEQ-M81CE-SSRELAY-4-20V](#) [4-1633138-8](#) [D38999/24FJ4AN](#) [4-1195131-0](#) [650069-000](#) [SMD100-2](#) [2EDL4CM](#)
[DTS20W19-11PD-3028](#) [DTS20W19-11PD-3028-LC](#) [DTS20W19-32SD-3028-LC](#) [DTS20W19-32SD-3028](#) [NC6-P104-06](#) [TXR64AB90-](#)
[3616AI](#) [DTS26F21-41HE](#) [DTS26F21-41AE](#) [DTS26F21-41PE-LC](#) [DTS26F21-11SE-3028-LC](#) [D38999/24WF32JE](#) [D38999/24WF32SE-LC](#)
[DTS24W19-32HE](#) [D38999/20JB35HA](#) [D38999/24WJ20PA](#) [164-8033-08](#) [D38999/24FF32JE](#) [D38999/24FF32SE-LC](#) [D38999/24WF32JB](#)
[D38999/24WG11HA](#) [D38999/24WG11HN](#) [MS27467T21F11H](#) [DJT16E21-11HA](#) [DTS24F19-32HE](#) [DTS20W19-32SA-3028-LC](#) [DTS24F19-](#)
[11SC-3028-LC](#) [DTS24F19-11SC-3028](#) [DJT14E13-98HB](#) [D38999/20WC8BB](#) [1-330599-5](#) [DTS24F21-41HN-LC](#) [DTS24F21-41HN](#)
[DTS24F21-41AN](#) [DTS24F21-39HN](#) [DTS24F21-41PN-LC](#) [AFD50-10-6SN-1A-LC](#) [DJT10F17-26HC](#) [DTS24W19-32HB](#) [ACT20JE99HA](#)
[DJT10E17-26HC](#) [DJT10E17-26HN](#) [DJT10F17-26HA](#)