

D-Sub Plastic cover, Black, Top Entry, Long knurled jackscrews

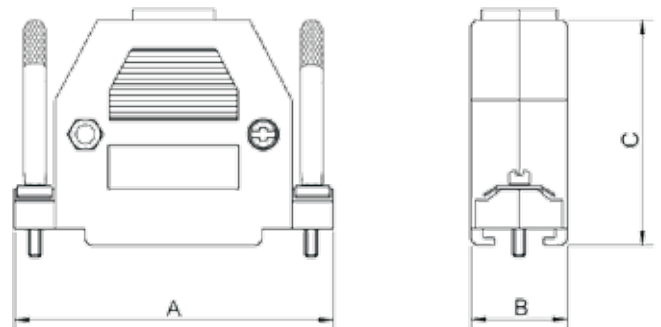


TECHNICAL SPECIFICATIONS

Material: UL Recognised Plastic Material
 Operating Temperature: -55°C to +110°C
 Cable Entry: Top
 Thumbscrews: UNC 4-40
 Cable O.D:
 9-way Up to 7,0mm
 15-way Up to 10,0mm
 25-way Up to 11,0mm
 37-way Up to 13,8mm
 50-way Up to 14,0mm
 Colour: Black

Features:

- Available in sizes 9-15-25-37-50
- Suitable for any common Sub-D connector
- Long Jackscrews
- Re-openable
- Available in two colours: Black & Light Grey
- Also available in Metalized Version



Size CCOV	A	B	C
9-way	31,0	16,0	40,2
15-way	39,6	17,4	38,0
25-way	55,0	16,5	44,5
37-way	69,0	24,0	52,5
50-way	69,5	19,5	44,5

Ordering information:

Size:	P/N - Kitted:	Product Code:
9-way	2360-0102-21	CCOV 9-SCL-BK
15-way	2360-0102-22	CCOV15-SCL-BK
25-way	2360-0102-23	CCOV25-SCL-BK
37-way	2360-0102-24	CCOV37-SCL-BK
50-way	2360-0102-25	CCOV50-SCL-BK

X-ON Electronics

Largest Supplier of Electrical and Electronic Components

Click to view similar products for [D-Sub Standard Connectors](#) category:

Click to view products by [Encitech](#) manufacturer:

Other Similar products are found below :

[DCM37S732N](#) [DAM15P500](#) [DEV09S364GTLF](#) [DEM09P032N](#) [DDM50P732N](#) [DAM15S332N](#) [173109-2218](#) [173109-2466](#) [173109-2436](#)
[173109-2435](#) [56F706-005-LI](#) [56F711-015](#) [015-0341-000](#) [015-0372-008](#) [015-8544-011](#) [017041-0005](#) [020419-0104](#) [012-0515-000](#) [012-9507-](#)
[034](#) [012-9507-114](#) [012-9534-001](#) [020745-0008](#) [609-25P](#) [M24308/2-23Z](#) [M243082310F](#) [M243082410F](#) [M243082411F](#) [M24308/4-21](#)
[CT1A18-11PSA206](#) [CT1N36-5SC](#) [CT2-16S-17PS](#) [CT2-20-15PCAU](#) [CT2-24-12PS](#) [CT2-24-28PSF127A206](#) [CT2-32-9PC](#) [CT6F9767-14-4-](#)
[14S-5PC](#) [CT6FA10SL-4PS](#) [CT7-18-10SC](#) [CT7-18-10SCAU](#) [CT7-18-12SCAU](#) [CT7-18-1PC](#) [CT7-18-1PCAU](#) [CT7-18-21SCAU](#) [M83513/01-](#)
[FC](#) [M83723/76W24619 L/C](#) [M85049/48-3-2F](#) [69001-865](#) [6STD09PCM99B70X](#) [6STD09SCM99B30X](#) [6STD09SCT99S40X](#)