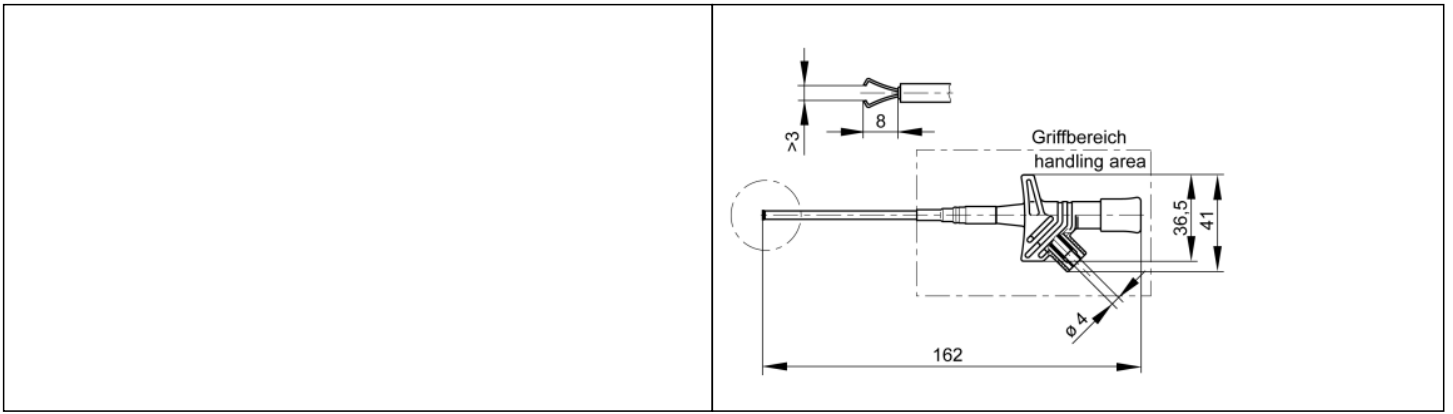


datasheet for KLEPS 2600
 article number: 972306100



product description:	order number: 972 306-100
description:	Safety clamp-type test probe with rotating grip jaws and flexible shaft. Wires and pins with up to a maximum diameter of 4mm can be clamped thanks to the special form of the grip jaws. 4mm diameter brass socket connection.
typ:	KLEPS 2600 schwarz/black
system:	4mm safety system
order number:	972 306-100
clamping range:	4 mm
clamping typ:	rotating grip jaws
color	●
other color versions:	● ●
technical data	
measurement category acc. to IEC 61010:	CAT III
type of termination:	4 mm socket (unsprung)
rated voltage:	AC/DC 1000 V
rated current:	4 A
Please consider derating curve!	
contact resistance:	10 mOhm
material	
contact material:	grip jaws: spring steel socket: brass
contact surface material:	grip jaws: tin
housing material:	PBT
environmental conditions:	
temperature range:	-25 °C to +80 °C
flammable class:	
housing (basic material):	UL 94 HB
drawing	



X-ON Electronics

Largest Supplier of Electrical and Electronic Components

Click to view similar products for [Hand Tools](#) category:

Click to view products by [Hirschmann](#) manufacturer:

Other Similar products are found below :

[568681-1](#) [576786-2](#) [58061-1](#) [58176-1](#) [58177-1](#) [58177-2](#) [58284-1](#) [59085](#) [0031](#) [59737-5](#) [015-0339-000](#) [015-8755-001](#) [600-146-06](#) [M15570-25](#) [62200-5709](#) [6-304052-1](#) [63443-1002](#) [63443-3513](#) [63443-4025](#) [63443-7114](#) [6-354778-5](#) [6-354779-2](#) [63600-2995](#) [63810-0105](#) [M8196914-08](#) [M819698-07](#) [662508-1](#) [662908-1](#) [679994-1](#) [679994-2](#) [68764-0001](#) [69001-0105](#) [69002-5525](#) [690124-7](#) [690191-1](#) [690191-4](#) [690696-1](#) [691409-4](#) [691667-1](#) [692006-2](#) [692655-7](#) [692776-1](#) [692776-4](#) [693077-3](#) [693077-4](#) [693597-1](#) [D20418-137](#) [D20419-189](#) [ESR-17x17](#) [ET-LY10](#)