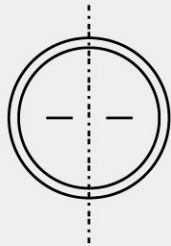
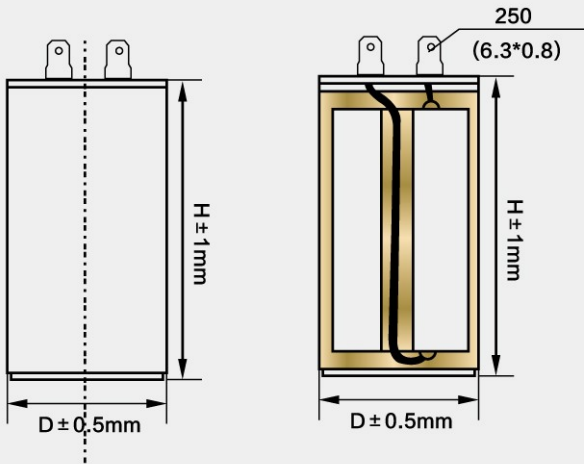


**Product Anatomy**



**Motor run capacitors features:**

- ◆ Non induction winding structure of metallic polypropylene membrane.
- ◆ It is small in bulk, has long life-span and good self-healing characteristic.
- ◆ High insulating resistance, little temperature changing inside, excellent stability of capacitance.
- ◆ Non-toxic and non-leaking, profit environmental protection.

**Usages:**

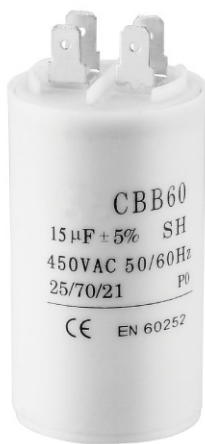
- ◆ Suitable for starting and operating 50Hz(60Hz)AC single-phase electromotor.
- ◆ Widely used as the start-up and running capacitor that is special for micro water pump, cleaning machine, washing machine, and single-phase household electrical appliances.

**Motor run capacitor alternate design include the followings:**

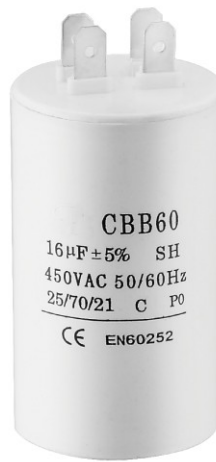
- ◆ Use round plastic shell, and insulation sealed lid for sealing, plastic lid for sealing or resin for sealing.
- ◆ Flat bottom or fixing stud M8\*12
- ◆ Fasten terminals, Lug, wire, cable.
- ◆ Plastic can, ABS, PC.

**Motor run capacitor specification**

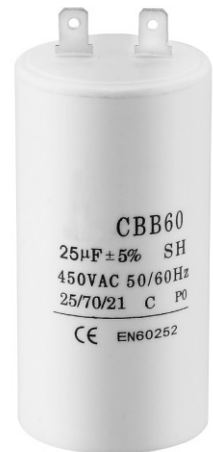
|                          |  |
|--------------------------|--|
| Capacitance range:       | 1-100mfd   |
| Capacitance tolerance:   | ± 5%, ± 10%  |
| Rated Alternate Voltage: | 250v, 370v, 400v, 450v   |
| Rated frequency:         | 50/60Hz  |
| Operating temp           | 40/85/21   |
| Insulation Resistance:   | T-T ≥ 3000MΩ .uf(20℃.100VDC)<br>T-T ≥ 2000MΩ .uf(20℃.100VDC)                     |
| Dissipation Factor:      | Tan δ ≤ 0.002 ( 100Hz, 20℃ )   |
| Approvals                | UL, TUV, CE  |
| Endurance Voltage:       | Between the eletrodes: 2.0Un2S<br>Between the eletrode and the shell: 2000vac 2S |



**CBB60-A**

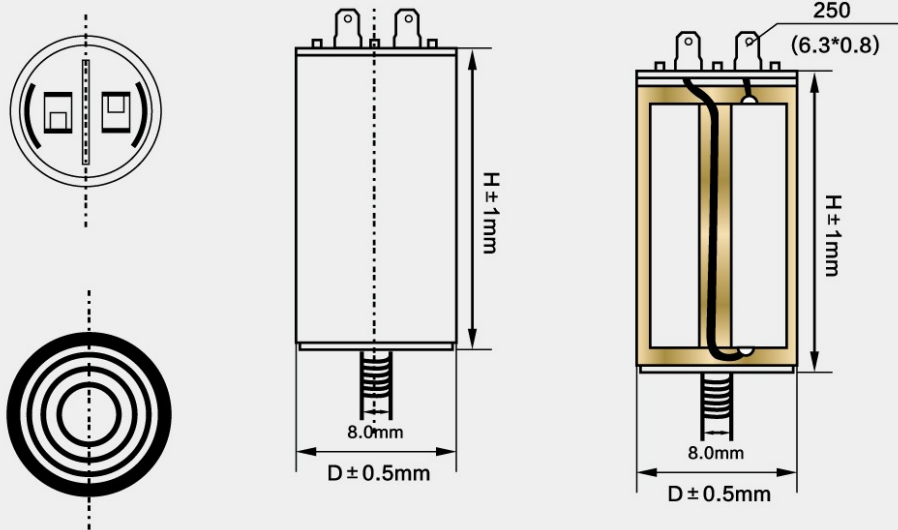


**CBB60-B**



**CBB60-C**

Product Anatomy



CBB60-D

Motor run capacitor Dimensions:

| MFD    | 450VAC |       | 250VAC |       |
|--------|--------|-------|--------|-------|
|        | D(mm)  | H(mm) | D(mm)  | H(mm) |
| 1mfd   | 30     | 50    | 30     | 50    |
| 3mfd   | 30     | 50    | 30     | 50    |
| 5mfd   | 30     | 50    | 30     | 50    |
| 8mfd   | 35     | 60    | 30     | 50    |
| 10mfd  | 35     | 60    | 30     | 50    |
| 12mfd  | 35     | 70    | 35     | 60    |
| 15mfd  | 38     | 70    | 35     | 60    |
| 18mfd  | 39     | 70    | 35     | 60    |
| 20mfd  | 40     | 70    | 35     | 60    |
| 25mfd  | 42     | 80    | 34     | 68    |
| 30mfd  | 42     | 90    | 42     | 70    |
| 35mfd  | 45     | 90    | 42     | 70    |
| 40mfd  | 50     | 90    | 42     | 70    |
| 45mfd  | 50     | 90    | 42     | 90    |
| 50mfd  | 50     | 100   | 42     | 90    |
| 55mfd  | 50     | 100   | 45     | 90    |
| 60mfd  | 50     | 100   | 45     | 90    |
| 70mfd  | 50     | 120   | 50     | 100   |
| 80mfd  | 60     | 120   | 50     | 100   |
| 90mfd  | 60     | 120   | 50     | 100   |
| 100mfd | 60     | 120   | 50     | 100   |



CBB60-E

## X-ON Electronics

Largest Supplier of Electrical and Electronic Components

*Click to view similar products for [Motor Start Capacitors & Motor Run Capacitors](#) category:*

*Click to view products by [SR Passives](#) manufacturer:*

Other Similar products are found below :

[SFS37S30-5K400E-F](#) [SFT44S45-5K491E-F](#) [I170V525J-B00](#) [870CG35800AA2J](#) [878AF24600AA1J](#) [MKSP-6P 4UF 450V B](#) [MKSP-6P 5UF 450V B](#) [MKSP-6P 8UF 450V B](#) [I150V468K-G1](#) [I150V510K-G1](#) [I150V530K-C1](#) [I150V540K-H1](#) [I150V560K-C1](#) [I150V560K-G1](#) [I150V620K-G1](#) [I150V640K-G1](#) [I150V645K-B1](#) [I150V660K-C1](#) [I15KV530K-B](#) [I15KV530K-D](#) [I15KV580K-D](#) [I15KV610K-B](#) [I15KV612K-D](#) [I15KV640K-B](#) [I15KV640K-D](#) [I18UV525I-A1 -5%](#) [C274AC34200AA0J](#) [C274ACF5150WA0J](#) [CBB60A-12/450](#) [CBB60A-1.5/450](#) [CBB60A-16/450](#) [CBB60A-20/450](#) [CBB60A-6/450](#) [CBB60E-40/450](#) [CBB60E-50/450](#) [CBB60E-6/450](#) [CBB60E-80/450](#) [CBB60F-8/450](#) [CBB60G-16/450](#) [CBB60G-6/450](#) [CBB60H-10/450](#) [CBB60H-14/450](#) [CBB60H-30/450](#) [C274ACF4300LF0J](#) [I150V515K-G1](#) [CBB60E-16/450](#) [CBB60A-80/450](#) [C274AC35150AA0J](#) [C276CCF5160LG0J](#) [CBB60E-30/450](#)