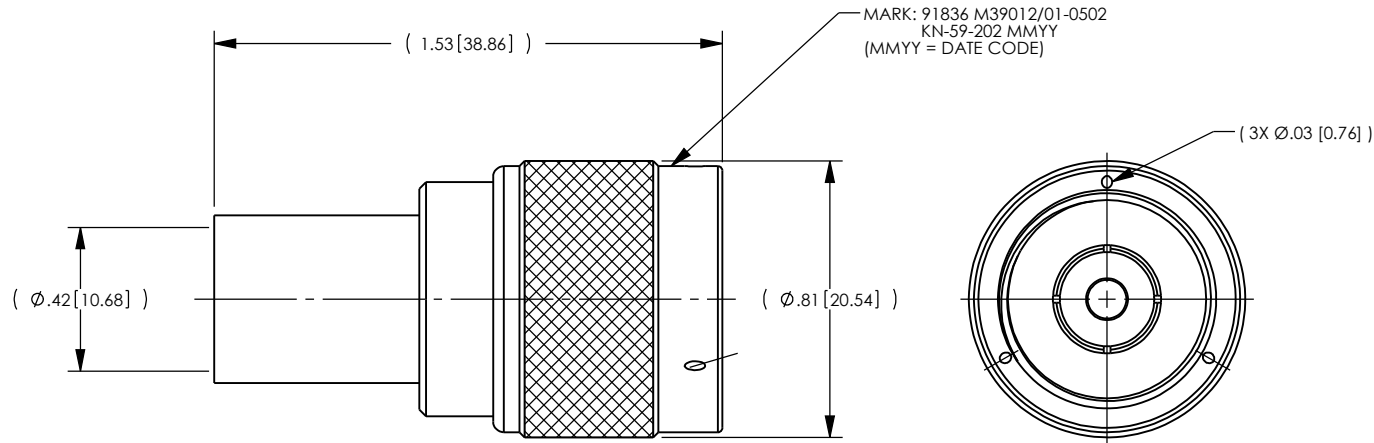


- NOTES: UNLESS OTHERWISE SPECIFIED
1. FOR USE WITH RG-8, 8A, 11, 11A AND 213/U CABLE.
 2. FOR CABLING INSTRUCTION, SEE CP-480.
 3. FOR CABLE CRIMPING, USE DIE KTH-2003.
 4. FOR CABLE TRIMMING, USE KTJ-137 AND KTD-138.
 5. INTERFACE PER MIL-STD-348, FIG. 304-1.
 6. MATERIALS:
 INSULATOR: TEFLON PER ASTM D-4894
 GASKET: SILICON RUBBER PER ZZ-R-765
 OUTER CONTACT AND C-RING: PHOS. BRONZE PER ASTM B-103
 ALL OTHER METAL PARTS; BRASS PER ASTM B-16
 7. FINISHES:
 CENTER CONTACT: GOLD PER ASTM B488
 ALL OTHER METAL PARTS: SILVER PER ASTM B-700
 8. CONTACT AND FERRULE SUPPLIED UNASSEMBLED.

REV	DESCRIPTION	BY DATE	APPD
K	REDRAWN ER18193	PSM 08/27/09	DCam



CATALOG P/N: KN-59-202

PER ASME Y14.5M-1994 UNLESS OTHERWISE SPECIFIED: DIMENSIONS ARE IN INCHES [MM] TOLERANCES: DECIMAL: .XX [X.X] \pm .01 [0.3] .XXX [X.XX] \pm .005 [0.13] .XXXX [X.XXX] \pm .XXX ANGLES: \pm 2° SCALE: 2:1				 by WINCHESTER <small>Winchester Electronics Corporation 62 Barnes Industrial Road North Wallingford, Connecticut 06492</small>	
CUSTOMER SALES DRAWING			THIRD ANGLE		
N PLUG M39012/01-0502					
DRAWN JL	DATE 05/17/74	APPROVED LI	DATE 05/24/74		
APPROVED XXX	DATE XX/XX/XX	APPROVED XXX	DATE XX/XX/XX	A	SDKN-59-202
				SHT 1	OF 1
				REV K	

DMF026 B

MAY 2007 THIS DRAWING BECAME THE PROPERTY OF PROPERTY OF WINCHESTER ELECTRONICS CORPORATION, WALLINGFORD, CT 06492

X-ON Electronics

Largest Supplier of Electrical and Electronic Components

Click to view similar products for [RF Connectors / Coaxial Connectors](#) category:

Click to view products by [Winchester](#) manufacturer:

Other Similar products are found below :

[R125315120](#) [8915-1511-000](#) [89674-0827](#) [5916-1103-603](#) [0106-001-000](#) [6-0001-3](#) [6001-7071-019](#) [6002-7051-003](#) [6002-7551-202](#) [6059674-1](#) [619550-1](#) [630059-000](#) [M39012/25-0021](#) [M39012/79-3008](#) [M39030/3-01N](#) [M39030/3-03N](#) [M3933/25-29N](#) [M3933/25-36N](#) [6500-7071-046](#) [6501-1071-002](#) [M83723/72W24576](#) [M83723/72W2457N](#) [6769](#) [CX050L2AQ](#) [7002-1541-010](#) [7003-1572-002](#) [7004-1512-000](#) [7009-1511-004](#) [7010-1511-000](#) [7029-1511-060](#) [7101-1541-010](#) [7101-1571-002](#) [7105-1521-002](#) [7145-1521-002](#) [7209-1511-011](#) [7210-1511-012](#) [7210-1511-015](#) [7210-1511-019](#) [7210-1511-040](#) [7225-1512-050](#) [7242-1511-000](#) [73137-5015](#) [73216-2241](#) [73251-0111](#) [73251-0672](#) [73276-1501](#) [73366-0013](#) [73404-2300](#) [73413-6080](#) [734151610](#)