

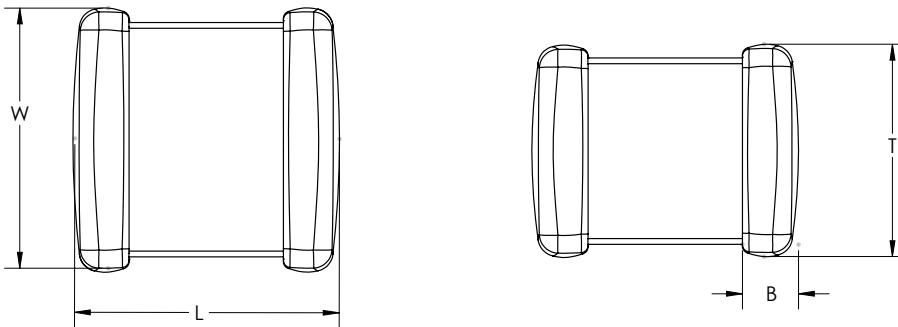
# Ultra HiQ-CBR Squared Series, 0505 Case Size

## High Power (10 – 100 pF)

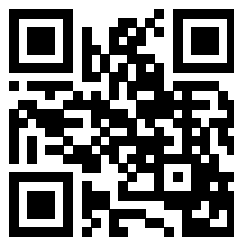
### Sample Kit Contents

| KEMET Part Number | Case Size  | Capacitance | Capacitance Tolerance | Rated Voltage | Dielectric | Quantity |
|-------------------|------------|-------------|-----------------------|---------------|------------|----------|
|                   | EIA/Metric | pF          | %                     | VDC           |            |          |
| CBR05C100JAGAC    | 0505/1414  | 10          | ±5                    | 250           | C0G        | 50       |
| CBR05C110JAGAC    | 0505/1414  | 11          | ±5                    | 250           | C0G        | 50       |
| CBR05C120JAGAC    | 0505/1414  | 12          | ±5                    | 250           | C0G        | 50       |
| CBR05C150JAGAC    | 0505/1414  | 15          | ±5                    | 250           | C0G        | 50       |
| CBR05C150JAGAC    | 0505/1414  | 15          | ±5                    | 250           | C0G        | 50       |
| CBR05C180JAGAC    | 0505/1414  | 18          | ±5                    | 250           | C0G        | 50       |
| CBR05C200JAGAC    | 0505/1414  | 20          | ±5                    | 250           | C0G        | 50       |
| CBR05C220JAGAC    | 0505/1414  | 22          | ±5                    | 250           | C0G        | 50       |
| CBR05C240JAGAC    | 0505/1414  | 24          | ±5                    | 250           | C0G        | 50       |
| CBR05C270JAGAC    | 0505/1414  | 27          | ±5                    | 250           | C0G        | 50       |
| CBR05C330JAGAC    | 0505/1414  | 33          | ±5                    | 250           | C0G        | 50       |
| CBR05C390JAGAC    | 0505/1414  | 39          | ±5                    | 250           | C0G        | 50       |
| CBR05C470JAGAC    | 0505/1414  | 47          | ±5                    | 250           | C0G        | 50       |
| CBR05C560JAGAC    | 0505/1414  | 56          | ±5                    | 250           | C0G        | 50       |
| CBR05C680JAGAC    | 0505/1414  | 68          | ±5                    | 250           | C0G        | 50       |
| CBR05C820JAGAC    | 0505/1414  | 82          | ±5                    | 250           | C0G        | 50       |
| CBR05C101JAGAC    | 0505/1414  | 100         | ±5                    | 250           | C0G        | 50       |

### Dimensions – Millimeters (Inches)



| Case Size (in.) | Case Size (mm) | L Length                                     | W Width                        | T Thickness                    | B Bandwidth                                   | Mounting Technique |
|-----------------|----------------|--|--------------------------------|--------------------------------|---|--------------------|
| 0505            | 1414           | 1.40 +0.38 / -0.25<br>(0.055 +0.015 / -0.01) | 1.40 ± 0.38<br>(0.055 ± 0.015) | 1.15 ± 0.15<br>(0.045 ± 0.006) | 0.25 + 0.25 - 0.13<br>(0.010 + 0.010 - 0.005) | Solder Reflow Only |



[www.kemet.com/rf](http://www.kemet.com/rf)

## X-ON Electronics

Largest Supplier of Electrical and Electronic Components

*Click to view similar products for [Multilayer Ceramic Capacitors MLCC - SMD/SMT](#) category:*

*Click to view products by [KEMET](#) manufacturer:*

Other Similar products are found below :

[M39014/01-1467](#) [M39014/02-1218V](#) [M39014/02-1225V](#) [M39014/02-1262V](#) [M39014/02-1301](#) [M39014/22-0631](#) [1210J5000102JCT](#)  
[1210J2K00102KXT](#) [1210J5000103KXT](#) [1210J5000223KXT](#) [D55342E07B379BR-TR](#) [D55342E07B523DR-T/R](#) [1812J1K00103KXT](#)  
[1812J1K00473KXT](#) [1812J2K00680JCT](#) [1812J4K00102MXT](#) [1812J5000102JCT](#) [1812J5000103JCT](#) [1812J5000682JCT](#) [NIN-FB391JTRF](#)  
[NIN-FC2R7JTRF](#) [NPIS27H102MTRF](#) [C1206C101J1GAC](#) [C1608C0G1E472JT000N](#) [C2012C0G2A472J](#) [2220J2K00101JCT](#)  
[KHC201E225M76N0T00](#) [LRC-LRF1206LF-01R025FTR1K](#) [1812J1K00222JCT](#) [1812J2K00102KXT](#) [1812J2K00222KXT](#)  
[1812J2K00472KXT](#) [2-1622820-7-CUT-TAPE](#) [2220J3K00102KXT](#) [2225J2500824KXT](#) [CCR07CG103KM](#) [CGA2B2C0G1H010C](#)  
[CGA2B2C0G1H040C](#) [CGA2B2C0G1H050C](#) [CGA2B2C0G1H060D](#) [CGA2B2C0G1H070D](#) [CGA2B2C0G1H151J](#) [CGA2B2C0G1H1R5C](#)  
[CGA2B2C0G1H2R2C](#) [CGA2B2C0G1H3R3C](#) [CGA2B2C0G1H680J](#) [CGA2B2C0G1H6R8D](#) [CGA2B2X8R1H221K](#) [CGA2B2X8R1H472K](#)  
[CGA3E1X7R1C474K](#)