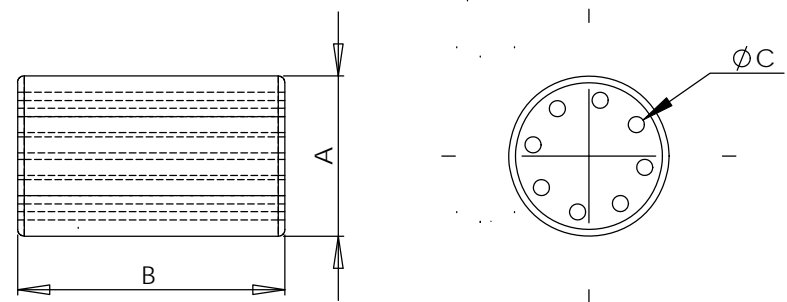
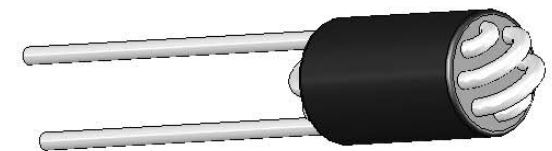
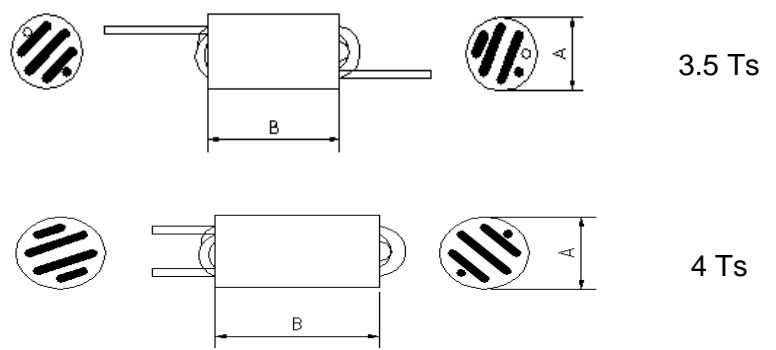


| REV. | MODIFICATION. | DATE | DRN |
|------|-----------------------|----------|-----|
| 01 | NEW DRAWING CO2010985 | 02/09/10 | SF |



- NOTES.
- 1) See drawing 06-087 sheet 2 of 2 for Impedance graphs.
 - 2) Impedance figures are typical values.
 - 3) Packaging information is only a guide & subject to variation.

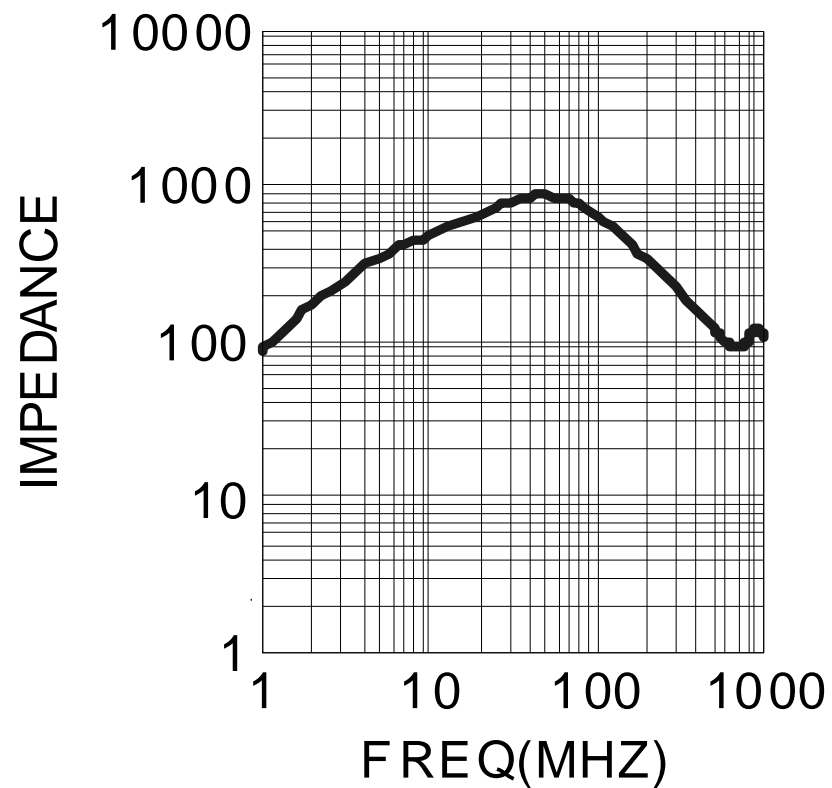
| Ferrite Material: K5B RMS-303 • Glue RMS-301 • Wires RMS-306 | | | | | | | |
|--|-----------|-----------|-----------|-----------------------|--------|---------------------------|-----------------|
| RRH8 | A (mm) | B (mm) | C (mm) | IMPEDANCE(Ω) | | Standard Pack (Pieces) | Number of Turns |
| | | | | 25MHz | 100MHz | | |
| RRH8-2-35-K5B | 5.20 | 10.00 | 0.85 | 726 | 667 | 500 | 3.5 |
| RRH8-2-40-K5B | | | | 754 | 680 | 500 | 4 |
| Standard Pack sizes may vary | | | | | | | |

INFORMATION CONTAINED IN THIS DOCUMENT IS CONFIDENTIAL TO RICHCO INTERNATIONAL Co. Ltd. AND MAY NOT BE DISCLOSED OR REPRODUCED IN WHOLE OR PART WITHOUT THEIR WRITTEN CONSENT.

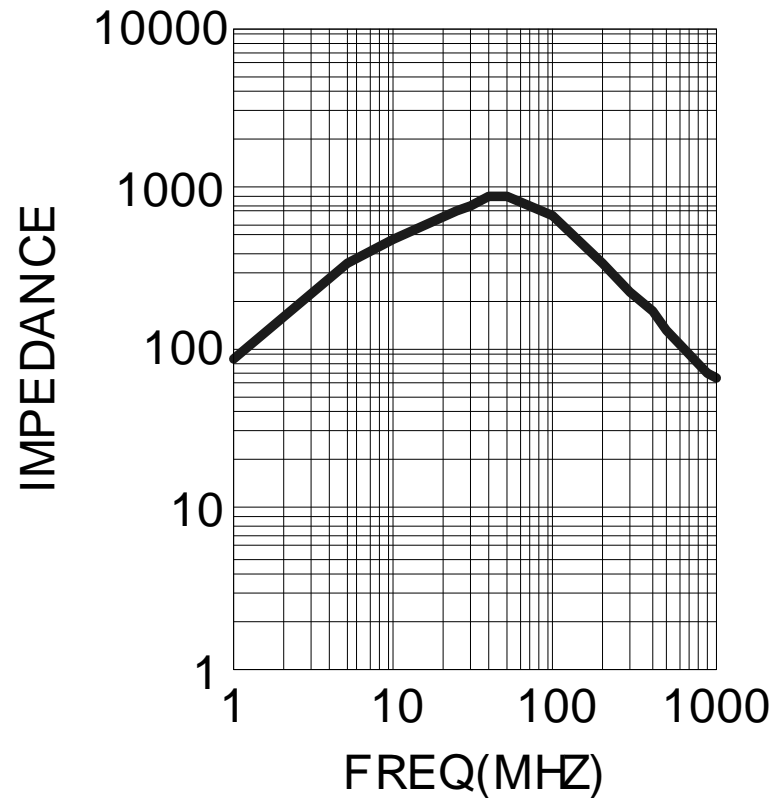
| | | | |
|---|------------------|--|------------------|
| RICHCO, INC. WWW.RICHCO-INC.COM | | ALL DIMENSIONS IN MM GENERAL TOLERANCES ± 0.25 UNLESS OTHERWISE STATED 1 DECIMAL PLACE \pm 2 DECIMAL PLACES \pm ANGULAR $\pm 1^\circ$ | THIRD ANGLE |
| MATERIAL: See Table | | COLOUR: See Table | |
| DESCRIPTION: RRH8 Ferrite Wound Beads | | PART No: See Table | |
| DRG No: 06-087 | NPR No: | Mass:(g) | SHEET SIZE A3 |
| DRN SF | DATE 02/09/10 | CHKD CT | DATE 02/09/10 |
| SCALE NTS | | SHEET No. 1 OF 2 | |

| REV. | MODIFICATION. | DATE | DRN |
|------|---------------|----------|-----|
| 01 | NEW DRAWING | 02/09/10 | SF |

RRH8-2-35-K5B



RRH8-2-40-K5B



INFORMATION CONTAINED IN THIS DOCUMENT IS CONFIDENTIAL TO RICHCO INTERNATIONAL Co. Ltd. AND MAY NOT BE DISCLOSED OR REPRODUCED IN WHOLE OR PART WITHOUT THEIR WRITTEN CONSENT.

| | | | |
|---|------------------|--|------------------|
| RICHCO, INC. WWW.RICHCO-INC.COM | | ALL DIMENSIONS IN MM GENERAL TOLERANCES ± 0.25 UNLESS OTHERWISE STATED 1 DECIMAL PLACE \pm 2 DECIMAL PLACES \pm ANGULAR $\pm 1^\circ$ | THIRD ANGLE |
| MATERIAL: See Table on Sheet 1 | | COLOUR: See Table | |
| DESCRIPTION: RRH8 Ferrite Wound Beads | | PART No: See Table | |
| DRG No: 06-087 | NPR No: | Mass:(g) | SHEET SIZE A3 |
| DRN SF | DATE 02/09/10 | CHKD CT | DATE 02/09/10 |
| SCALE NTS | | SHEET No. 1 OF 2 | |

X-ON Electronics

Largest Supplier of Electrical and Electronic Components

Click to view similar products for [Multilayer Ceramic Capacitors MLCC - SMD/SMT](#) category:

Click to view products by [Richeo](#) manufacturer:

Other Similar products are found below :

[M39014/01-1467](#) [M39014/02-1218V](#) [M39014/02-1225V](#) [M39014/02-1262V](#) [M39014/02-1301](#) [M39014/22-0631](#) [1210J5000102JCT](#)
[1210J2K00102KXT](#) [1210J5000103KXT](#) [1210J5000223KXT](#) [D55342E07B379BR-TR](#) [D55342E07B523DR-T/R](#) [1812J1K00103KXT](#)
[1812J1K00473KXT](#) [1812J2K00680JCT](#) [1812J4K00102MXT](#) [1812J5000102JCT](#) [1812J5000103JCT](#) [1812J5000682JCT](#) [NIN-FB391JTRF](#)
[NIN-FC2R7JTRF](#) [NPIS27H102MTRF](#) [C1206C101J1GAC](#) [C1608C0G1E472JT000N](#) [C2012C0G2A472J](#) [2220J2K00101JCT](#)
[KHC201E225M76N0T00](#) [LRC-LRF1206LF-01R025FTR1K](#) [1812J1K00222JCT](#) [1812J2K00102KXT](#) [1812J2K00222KXT](#)
[1812J2K00472KXT](#) [2-1622820-7-CUT-TAPE](#) [2220J3K00102KXT](#) [2225J2500824KXT](#) [CCR07CG103KM](#) [CGA2B2C0G1H010C](#)
[CGA2B2C0G1H040C](#) [CGA2B2C0G1H050C](#) [CGA2B2C0G1H060D](#) [CGA2B2C0G1H070D](#) [CGA2B2C0G1H151J](#) [CGA2B2C0G1H1R5C](#)
[CGA2B2C0G1H2R2C](#) [CGA2B2C0G1H3R3C](#) [CGA2B2C0G1H680J](#) [CGA2B2C0G1H6R8D](#) [CGA2B2X8R1H221K](#) [CGA2B2X8R1H472K](#)
[CGA3E1X7R1C474K](#)