

RRSN-2240-XX			
Ø'A'	Ø'B'	'L' LENGTH	PART No.
2.2 (0.087)	4 (0.158)	5 (0.197)	RRSN-2240-05
2.2 (0.087)	4 (0.158)	6 (0.236)	RRSN-2240-06
2.2 (0.087)	4 (0.158)	8 (0.315)	RRSN-2240-08
2.2 (0.087)	4 (0.158)	10 (0.394)	RRSN-2240-10
2.2 (0.087)	4 (0.158)	12 (0.473)	RRSN-2240-12
2.2 (0.087)	4 (0.158)	15 (0.591)	RRSN-2240-15
2.2 (0.087)	4 (0.158)	18 (0.709)	RRSN-2240-18
2.2 (0.087)	4 (0.158)	20 (0.788)	RRSN-2240-20

RRSN-3040-XX			
Ø'A'	Ø'B'	'L' LENGTH	PART No.
3.0 (0.118)	4 (0.158)	5 (0.197)	RRSN-3040-05
3.0 (0.118)	4 (0.158)	6 (0.236)	RRSN-3040-06
3.0 (0.118)	4 (0.158)	8 (0.315)	RRSN-3040-08
3.0 (0.118)	4 (0.158)	10 (0.394)	RRSN-3040-10
3.0 (0.118)	4 (0.158)	12 (0.473)	RRSN-3040-12
3.0 (0.118)	4 (0.158)	15 (0.591)	RRSN-3040-15
3.0 (0.118)	4 (0.158)	18 (0.709)	RRSN-3040-18
3.0 (0.118)	4 (0.158)	20 (0.788)	RRSN-3040-20

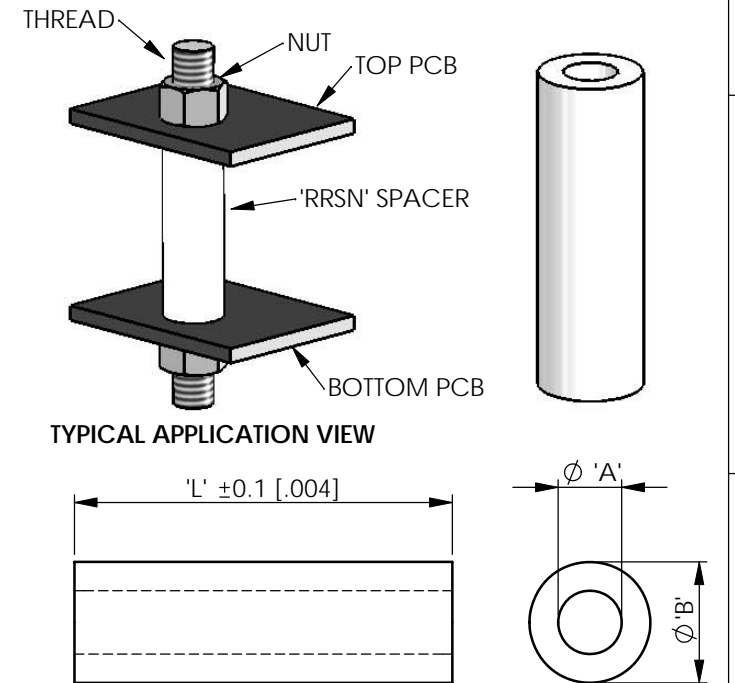
RRSN-2250-XX			
Ø'A'	Ø'B'	'L' LENGTH	PART No.
2.2 (0.087)	5 (0.197)	2 (0.079)	RRSN-2250-02
2.2 (0.087)	5 (0.197)	3 (0.119)	RRSN-2250-03
2.2 (0.087)	5 (0.197)	4 (0.158)	RRSN-2250-04
2.2 (0.087)	5 (0.197)	5 (0.197)	RRSN-2250-05
2.2 (0.087)	5 (0.197)	8 (0.315)	RRSN-2250-08
2.2 (0.087)	5 (0.197)	10 (0.394)	RRSN-2250-10
2.2 (0.087)	5 (0.197)	12 (0.473)	RRSN-2250-12
2.2 (0.087)	5 (0.197)	15 (0.591)	RRSN-2250-15
2.2 (0.087)	5 (0.197)	18 (0.709)	RRSN-2250-18
2.2 (0.087)	5 (0.197)	20 (0.788)	RRSN-2250-20
2.2 (0.087)	5 (0.197)	25 (0.985)	RRSN-2250-25
2.2 (0.087)	5 (0.197)	30 (1.182)	RRSN-2250-30

RRSN-3260-XX			
Ø'A'	Ø'B'	'L' LENGTH	PART No.
3.2 (0.126)	6 (0.236)	2 (0.079)	RRSN-3260-02
3.2 (0.126)	6 (0.236)	3 (0.119)	RRSN-3260-03
3.2 (0.126)	6 (0.236)	4 (0.158)	RRSN-3260-04
3.2 (0.126)	6 (0.236)	5 (0.197)	RRSN-3260-05
3.2 (0.126)	6 (0.236)	8 (0.315)	RRSN-3260-08
3.2 (0.126)	6 (0.236)	10 (0.394)	RRSN-3260-10
3.2 (0.126)	6 (0.236)	12 (0.473)	RRSN-3260-12
3.2 (0.126)	6 (0.236)	15 (0.591)	RRSN-3260-15
3.2 (0.126)	6 (0.236)	18 (0.709)	RRSN-3260-18
3.2 (0.126)	6 (0.236)	20 (0.788)	RRSN-3260-20
3.2 (0.126)	6 (0.236)	25 (0.985)	RRSN-3260-25
3.2 (0.126)	6 (0.236)	30 (1.182)	RRSN-3260-30
3.2 (0.126)	6 (0.236)	35 (1.377)	RRSN-3260-35
3.2 (0.126)	6 (0.236)	40 (1.575)	RRSN-3260-40

RRSN-2750-XX			
Ø'A'	Ø'B'	'L' LENGTH	PART No.
2.7 (0.106)	5 (0.197)	2 (0.079)	RRSN-2750-02
2.7 (0.106)	5 (0.197)	3 (0.119)	RRSN-2750-03
2.7 (0.106)	5 (0.197)	4 (0.158)	RRSN-2750-04
2.7 (0.106)	5 (0.197)	5 (0.197)	RRSN-2750-05
2.7 (0.106)	5 (0.197)	8 (0.315)	RRSN-2750-08
2.7 (0.106)	5 (0.197)	10 (0.394)	RRSN-2750-10
2.7 (0.106)	5 (0.197)	12 (0.473)	RRSN-2750-12
2.7 (0.106)	5 (0.197)	15 (0.591)	RRSN-2750-15
2.7 (0.106)	5 (0.197)	18 (0.709)	RRSN-2750-18
2.7 (0.106)	5 (0.197)	20 (0.788)	RRSN-2750-20
2.7 (0.106)	5 (0.197)	25 (0.985)	RRSN-2750-25
2.7 (0.106)	5 (0.197)	30 (1.182)	RRSN-2750-30

RRSN-3460-XX			
Ø'A'	Ø'B'	'L' LENGTH	PART No.
3.4 (0.134)	6 (0.236)	5 (0.197)	RRSN-3460-05
3.4 (0.134)	6 (0.236)	6 (0.236)	RRSN-3460-06
3.4 (0.134)	6 (0.236)	8 (0.315)	RRSN-3460-08
3.4 (0.134)	6 (0.236)	10 (0.394)	RRSN-3460-10
3.4 (0.134)	6 (0.236)	12 (0.473)	RRSN-3460-12
3.4 (0.134)	6 (0.236)	15 (0.591)	RRSN-3460-15
3.4 (0.134)	6 (0.236)	18 (0.709)	RRSN-3460-18
3.4 (0.134)	6 (0.236)	20 (0.788)	RRSN-3460-20

REV	MODIFICATION	DATE	DRN
04	ECN 04-217	09/12/04	NJB
05	ECN 07-218	06/12/07	NJB
06	CO2010276	07/07/08	TC
07	CO2010932	04/06/10	SF



INFORMATION CONTAINED IN THIS DOCUMENT IS CONFIDENTIAL TO RICHCO INTERNATIONAL Co. Ltd. AND MAY NOT BE DISCLOSED OR REPRODUCED IN WHOLE OR PART WITHOUT THEIR WRITTEN CONSENT.

<b>RICHCO, INC.</b> WWW.RICHCO-INC.COM		METRIC GENERAL TOLERANCES ±0.25 ARE PRIMARY UNLESS OTHERWISE STATED 1 DECIMAL PLACE ± .25 2 DECIMAL PLACES ± .10 ANGULAR ±1°	
MATERIAL: POLYSTYRENE (RMS-163)		IMPERIAL GENERAL TOLERANCES ±0.10 ARE FOR REFERENCE UNLESS OTHERWISE STATED 1 DECIMAL PLACE ± .010 2 DECIMAL PLACES ± .004 ANGULAR ±1°	
DESCRIPTION: ROUND SPACERS		COLOUR: WHITE	THIRD ANGLE
DRG No: 04-082		PART No: RRSN-XXXX-XX	
SHEET SIZE A4			
DRN NJB	DATE 30/07/04	CHKD RC	DATE 20/10/04
SCALE NTS	SHEET No. 1 OF 2		

NOTES:  
 1) PRIMARY DIMS IN mm, SECONDARY DIMS IN [INCHES]  
 2) SEE SHEET 2 FOR RRSN-3548/4280/4570/52100/6290.  
 3) PARTS AVAILABLE IN BLACK(RMS-090). ADD "-GF" TO END OF PART NUMBER. EXAMPLE:" RRSN-3250-03-GF".

RRSN-3548-XX			
Ø 'A'	Ø 'B'	'L' LENGTH	PART No.
3.5 (0.138)	4.8 (0.189)	5 (0.197)	RRSN-3548-05
3.5 (0.138)	4.8 (0.189)	6 (0.236)	RRSN-3548-06
3.5 (0.138)	4.8 (0.189)	8 (0.315)	RRSN-3548-08
3.5 (0.138)	4.8 (0.189)	10 (0.394)	RRSN-3548-10
3.5 (0.138)	4.8 (0.189)	12 (0.473)	RRSN-3548-12
3.5 (0.138)	4.8 (0.189)	15 (0.591)	RRSN-3548-15

RRSN-52100-XX			
Ø 'A'	Ø 'B'	'L' LENGTH	PART No.
5.2 (0.205)	10 (0.394)	2 (0.079)	RRSN-52100-02
5.2 (0.205)	10 (0.394)	3 (0.119)	RRSN-52100-03
5.2 (0.205)	10 (0.394)	4 (0.158)	RRSN-52100-04
5.2 (0.205)	10 (0.394)	5 (0.197)	RRSN-52100-05
5.2 (0.205)	10 (0.394)	8 (0.315)	RRSN-52100-08
5.2 (0.205)	10 (0.394)	10 (0.394)	RRSN-52100-10
5.2 (0.205)	10 (0.394)	12 (0.473)	RRSN-52100-12
5.2 (0.205)	10 (0.394)	15 (0.591)	RRSN-52100-15
5.2 (0.205)	10 (0.394)	18 (0.709)	RRSN-52100-18
5.2 (0.205)	10 (0.394)	20 (0.788)	RRSN-52100-20
5.2 (0.205)	10 (0.394)	25 (0.985)	RRSN-52100-25
5.2 (0.205)	10 (0.394)	30 (1.182)	RRSN-52100-30
5.2 (0.205)	10 (0.394)	35 (1.377)	RRSN-52100-35
5.2 (0.205)	10 (0.394)	40 (1.575)	RRSN-52100-40

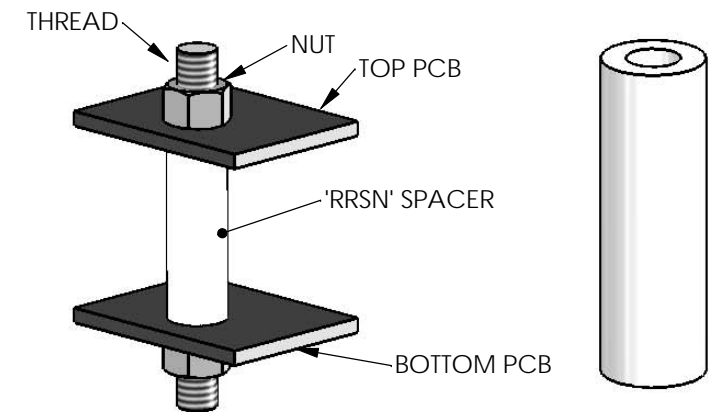
RRSN-4280-XX			
Ø 'A'	Ø 'B'	'L' LENGTH	PART No.
4.2 (0.166)	8 (0.315)	2 (0.079)	RRSN-4280-02
4.2 (0.166)	8 (0.315)	3 (0.119)	RRSN-4280-03
4.2 (0.166)	8 (0.315)	4 (0.158)	RRSN-4280-04
4.2 (0.166)	8 (0.315)	5 (0.197)	RRSN-4280-05
4.2 (0.166)	8 (0.315)	8 (0.315)	RRSN-4280-08
4.2 (0.166)	8 (0.315)	10 (0.394)	RRSN-4280-10
4.2 (0.166)	8 (0.315)	12 (0.473)	RRSN-4280-12
4.2 (0.166)	8 (0.315)	15 (0.591)	RRSN-4280-15
4.2 (0.166)	8 (0.315)	18 (0.709)	RRSN-4280-18
4.2 (0.166)	8 (0.315)	20 (0.788)	RRSN-4280-20
4.2 (0.166)	8 (0.315)	25 (0.985)	RRSN-4280-25
4.2 (0.166)	8 (0.315)	30 (1.182)	RRSN-4280-30
4.2 (0.166)	8 (0.315)	35 (1.377)	RRSN-4280-35
4.2 (0.166)	8 (0.315)	40 (1.575)	RRSN-4280-40

RRSN-6290-XX			
Ø 'A'	Ø 'B'	'L' LENGTH	PART No.
6.2 (0.244)	9 (0.354)	5 (0.197)	RRSN-6290-05
6.2 (0.244)	9 (0.354)	6 (0.236)	RRSN-6290-06
6.2 (0.244)	9 (0.354)	8 (0.315)	RRSN-6290-08
6.2 (0.244)	9 (0.354)	10 (0.394)	RRSN-6290-10
6.2 (0.244)	9 (0.354)	12 (0.473)	RRSN-6290-12
6.2 (0.244)	9 (0.354)	15 (0.591)	RRSN-6290-15
6.2 (0.244)	9 (0.354)	18 (0.709)	RRSN-6290-18
6.2 (0.244)	9 (0.354)	20 (0.788)	RRSN-6290-20

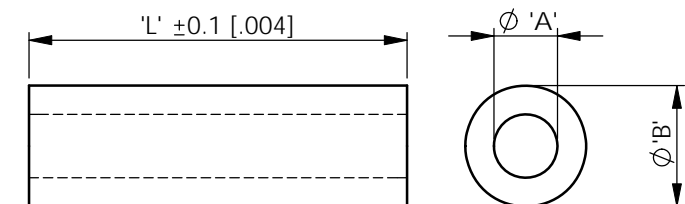
RRSN-4570-XX			
Ø 'A'	Ø 'B'	'L' LENGTH	PART No.
4.5 (0.177)	7 (0.276)	5 (0.197)	RRSN-4570-05
4.5 (0.177)	7 (0.276)	6 (0.236)	RRSN-4570-06
4.5 (0.177)	7 (0.276)	8 (0.315)	RRSN-4570-08
4.5 (0.177)	7 (0.276)	10 (0.394)	RRSN-4570-10
4.5 (0.177)	7 (0.276)	12 (0.473)	RRSN-4570-12
4.5 (0.177)	7 (0.276)	15 (0.591)	RRSN-4570-15
4.5 (0.177)	7 (0.276)	18 (0.709)	RRSN-4570-18
4.5 (0.177)	7 (0.276)	20 (0.788)	RRSN-4570-20

NOTES:  
 1) PRIMARY DIMS IN mm, SECONDARY DIMS IN [INCHES]  
 2) SEE SHEET 1 FOR RRSN-2240/2250/2750/3040/3260/3460  
 3) PARTS AVAILABLE IN BLACK(RMS-090). ADD "-GF" TO END OF PART NUMBER. EXAMPLE:" RRSN-3250-03-GF".

REV	MODIFICATION	DATE	DRN
04	ECN 04-217	09/12/04	NJB
05	ECN 07-218	06/12/07	NJB
06	CO2010276	07/07/08	TC
07	CO2010932	04/06/10	SF



TYPICAL APPLICATION VIEW



INFORMATION CONTAINED IN THIS DOCUMENT IS CONFIDENTIAL TO RICHCO INTERNATIONAL Co. Ltd. AND MAY NOT BE DISCLOSED OR REPRODUCED IN WHOLE OR PART WITHOUT THEIR WRITTEN CONSENT.

<b>RICHCO, INC.</b> WWW.RICHCO-INC.COM		METRIC GENERAL TOLERANCES ±0.25 ARE PRIMARY UNLESS OTHERWISE STATED 1 DECIMAL PLACE ± 0.25 2 DECIMAL PLACES ± 0.1 ANGULAR ±1°			
MATERIAL: POLYSTYRENE (RMS-163)		IMPERIAL GENERAL TOLERANCES ±0.010 ARE FOR REFERENCE UNLESS OTHERWISE STATED 1 DECIMAL PLACE ± .010 2 DECIMAL PLACES ± .004 ANGULAR ±1°			
DESCRIPTION: ROUND SPACERS		COLOUR: WHITE	THIRD ANGLE		
DRG No: 04-082		PART No: RRSN-XXXX-XX		SHEET SIZE A4	
DRN NJB	DATE 30/07/04	CHKD RC	DATE 20/10/04	SCALE NTS	SHEET No. 2 OF 2

## X-ON Electronics

Largest Supplier of Electrical and Electronic Components

*Click to view similar products for [Standoffs & Spacers](#) category:*

*Click to view products by [Richco](#) manufacturer:*

Other Similar products are found below :

[M0513-3-N](#) [M0516-3-N](#) [M0517-3-N](#) [M0518-3-N](#) [M0521-3-N](#) [M0524-3-N](#) [M0532-35-AL](#) [M0532-35-N](#) [M0543-4-AL](#) [M0544-35-N](#) [M0544-3-N](#) [M0545-3-AL](#) [M0553-3-N](#) [M0564-4-N](#) [M0608-5-SS](#) [M0609-5-SS](#) [M0610-35-AL](#) [M0613-3-N](#) [M0651-5-SS](#) [M0653-35-N](#) [M0654-4-SS](#) [M0655-5-AL](#) [M0655-5-N](#) [M0660-4-AL](#) [M0660-4-N](#) [M0670-35-N](#) [M0671-5-N](#) [M0671-5-SS](#) [M0722-5-N](#) [M0725-6-N](#) [M0731-4-N](#) [M0904-B-25-AL](#) [M1273-2545-AL](#) [M1273-3005-AL](#) [M1303-3506-AL](#) [M1307-3506-AL](#) [M1313-3005-N](#) [M1313-4007-AL](#) [M1314-3005-AL](#) [M1314-3005-SS](#) [M1315-3005-SS](#) [M1315-4007-N](#) [M1317-3506-AL](#) [M1317-4007-SS](#) [M1318-3005-SS](#) [M1320-3005-AL](#) [M1320-3005-N](#) [M1321-3005-SS](#) [M1321-4007-AL](#) [M1322-4007-N](#)