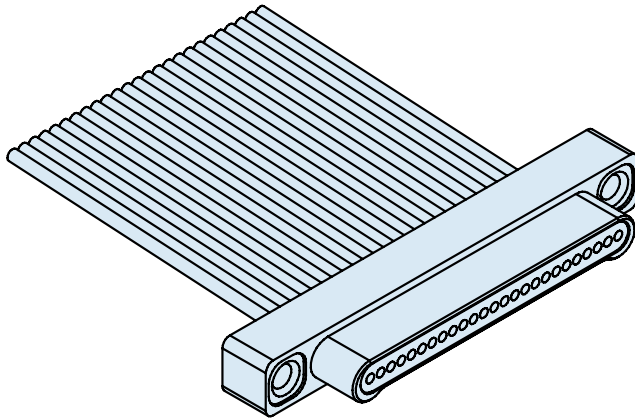


890-001 and 890-002 Single Row Nano Connector with Insulated Wire



Glenair Insulated Wire Nano Connectors feature gold alloy TwistPin contacts. Contacts are precision-crimped to insulated, stranded wire. These nanominiature connectors offer premium performance and reliability for demanding applications. Contact spacing is .025 inches. 1 amp current rating, DWV rating 250 volts AC. Wire gages #30 and #32 AWG.

TwistPin Contact System assures premium performance in demanding environments. The gold/platinum alloy contacts will stand up to years of exposure without corrosion.

Typical Applications include UAV's, satellites, missile systems and geophysical instruments.

How To Order Nano Connectors with Insulated Wire	
Sample Part Number	890-002 -9S A1 -0 A 1 -12 J
Series	890-001 – Plug, Pin Contacts, Single Row, Nanominiature 890-002 – Receptacle, Socket Contacts, Single Row, Nanominiature
Insert Arrangement/ Contact Type	Plugs (890-001): 5P, 9P, 15P, 21P, 25P, 31P, 37P, 51P Receptacles (890-002): 5S, 9S, 15S, 21S, 25S, 31S, 37S, 51S
Shell Material and Finish	A1 - Aluminum Shell, Cadmium Plating T - Titanium Shell, Unplated A2 - Aluminum Shell, Electroless Nickel Plating S - Stainless Steel Shell, Passivated
Wire Gage	0 #30 AWG 2 #32 AWG
Wire Type	A - Ultralightweight XLETFE Insulation, Silver-Coated Ultrahigh-Strength Copper (Not available for #32 AWG) B - Extruded PTFE Insulation, NEMA HP3-ETX (MIL-W-16878/6) C - Cross-Linked Modified ETFE Insulation, MIL-W-22759/33 (Not available for #32 AWG)
Wire Color Code	1 - White 2 - Yellow 7 - 10 Color Repeating (wire type A is striped, types B and C are solid colors)
Wire Length Inches	12 = 12.00 + 1.00 inches.
Hardware	J - Jackscrew, #0-80 T - Female Thread, #0-80 Female threads are available on plug connectors only if the shell material is titanium or stainless steel.



Plug (Pin) Connector		Receptacle (Socket) Connector	
"J" Jackscrew Option	"T" Female Thread Option Titanium or Stainless Steel Shells Only	"T" Female Thread Option	"J" Jackscrew Option

Dimensions in inches (millimeters) and are subject to change without notice.

Single Row Connectors

890-001 and 890-002 Single Row Nano Connector with Insulated Wire

Table I: Single Row Nano Insulated Wire Dimensions

890-001 Plug (Pin) Connector	890-002 Receptacle (Socket) Connector
<p>Optional 2X #0-80 UNF-2B .090 Min. Thread (Type T)</p> <p>Titanium or Stainless Steel Shells Only</p>	<p>2X #0-80 UNF-2A .050 Hex Drive Jackscrew (Type J)</p>

Layout	A		B BSC.		C BSC.	
	In. ± .005	mm. ± 0.13	In.	mm.	In.	mm.
5P	.400	10.16	.295	7.49	.184	4.67
5S	.400	10.16	.295	7.49	.185	4.70
9P	.500	12.70	.395	10.03	.284	7.21
9S	.500	12.70	.395	10.03	.285	7.24
15P	.650	16.51	.545	13.84	.434	11.02
15S	.650	16.51	.545	13.84	.435	11.05
21P	.800	20.32	.695	17.65	.584	14.83
21S	.800	20.32	.695	17.65	.585	14.86
25P	.900	22.86	.795	20.19	.684	17.37
25S	.900	22.86	.795	20.19	.685	17.40
31P	1.050	26.67	.945	24.00	.834	21.18
31S	1.050	26.67	.945	24.00	.835	21.21
37P	1.200	30.48	1.095	27.81	.984	24.99
37S	1.200	30.48	1.095	27.81	.985	24.02
51P	1.550	39.37	1.445	36.70	1.334	33.88
51S	1.550	39.37	1.445	36.70	1.335	33.91

Dimensions in inches (millimeters) and are subject to change without notice.

© 2013 Glenair, Inc.

Series 89 Nano Catalog

U.S. CAGE Code 06324/0CA77

Printed in U.S.A.

GLENAIR, INC. • 1211 AIR WAY • GLENDALE, CA 91201-2497 • 818-247-6000 • FAX 818-500-9912
www.glenair.com D-4 E-Mail: sales@glenair.com

X-ON Electronics

Largest Supplier of Electrical and Electronic Components

Click to view similar products for [glenair](#) manufacturer:

Other Similar products are found below :

[GMR7580-15P4BSU](#) [DC40-10L](#) [MWDM2R-9P-4K5-18H-464A](#) [MWDM2R-25P-6K5-58M-464A](#) [805-001-16NF11-4SA](#) [687-348Z4-8-6](#)
[557-107M3-05CB](#) [450DS001N10-325](#) [MR75909P1BSU](#) [809-166-NF8](#) [103-026-012](#) [891-001-25PS-0A7-18J](#) [5M2920-3CW](#) [6000-063-0022](#)
[M28840/17AC1G3](#) [M28840/29CB1DAP1](#) [M32139/03-B06ST](#) [M39029/88-488](#) [M83513/03-C16N](#) [M83513/03-F11N](#) [M83513/04-E03N](#)
[M83513/13-B03CW](#) [M8351329-G02NW](#) [M85049130-07M](#) [M85049/1911N02](#) [M8504924-5W](#) [M85049/3610W03](#) [M85049/39-17W](#)
[M8504956-24N](#) [M85049/74-10-1](#) [M8504988-17P03](#) [M8504988-21N03](#) [M8504992-11M](#) [759EA458NF32Z1732-40-102.9](#) [801-008-26NF7-](#)
[25SA](#) [801-025-ARB2M6-4NA-12](#) [805-002-16M12-5SA](#) [858-003-01F](#) [860-004R-B7MT07A-30-20](#) [G65217](#) [G8187C2010-44N](#) [G8377-21B](#)
[G8801-09N](#) [G8801-25N](#) [G8859-174FNF](#) [947-432ME21-11SN](#) [947-432ME21-35PN](#) [D3899933F21R](#) [D38999/33W11N](#) [MS3181-12C](#)