

KPT/KPSE
CONNECTORS



KP-7/1/2000

Cannon



ITT Industries
Engineered for life

Contents

Introduction	2
Standard Data	3
Series KPT	4
Series KPSE	6
Contact arrangements	9
Wall mounting receptacles	13
Cable connecting plugs	14
Box mounting receptacles	15
Thru-bulkhead receptacles	15
Straight plugs	16
Jam nut receptacles	17
Right angle plugs	18
Special versions	
Connectors with grounding continuity	19
Receptacles with straight solder pins	22
Panel cutouts	24
Dummy receptacle	25
Protective caps	26
Tools	27
Assembly instructions	28
Cross reference lists	29
Product safety information	31

Introduction

The miniature circular connectors series KPT and KPSE from Cannon are manufactured according to MIL-C-26482 with three point bayonet coupling and five-keyway polarization. They offer general purpose solder connectors and high performance crimp connectors. The broad product range provides the most complete family of connectors conform to MIL-C-26482, NFC 93422 HE 301 model, VG 95328 and LN 29500 specifications.

The versatility of these connectors has been proven by their usage in general as well as in high performance environmental applications.

In addition to the basic series presented in this catalogue, connectors for special applications are available. They include corrosion resistant types, filter connectors for electromagnetic compatibility and non-outgassing, radiation resistant versions.

All connectors conform to the above mentioned specifications are fully interchangeable and accept a wide range of interchangeable accessories. Thereby design modifications can be achieved more easily and at lower cost with connectors of the KPT/KPSE series.

Technical Data

	KPT	KPSE
Material and Finishes		
Shell	Aluminum alloy, conductive olive drab chromate over cadmium finish per QQ-P-416	
Insulator	Polychloroprene	Polychloroprene
Grommet and Seal	Polychloroprene	Polychloroprene
Contacts	Copper alloy, gold plated	Copper alloy, gold plated

Mechanical Data

Shell styles	00 – Wall mounting receptacle 01 – Cable connecting plug 02 – Box mounting receptacle 06 – Straight plug	07 – Jam nut receptacle 08 – Plug with 90° termination assemblies B – Thru-bulkhead receptacle (KPT only)
Shell sizes	8 thru 24	
Polarisation/Coupling	five keyways/three point bayonet	
Service classes	A – General duty B – General duty with strain relief E – Grommet seal F – Grommet seal with strain relief	see also pages 5 and 8
Water tightness	Acc. to VG 95319 Part 2, Test No. 5.9.2 For styles A to E and J to W, Z1, Z2 and Z3 and gaskets style A and B only Test pressure 0,2 bar overpressure Test temperature 25 ± 3°C	
Operating temperature	– 55 / 125°C	
Durability	min. 500 mating cycles	
Vibration	200 m/s ² at 10 to 2000 Hz	

Electrical Data

Number of contacts	2 thru 61		3 thru 61	
Wire size AWG	16 thru 24		12 thru 24	
Contact termination	Solder		Crimp	
Contact rating	Size AWG	Rated current A	Test current A	Millivolt drop mV
	20	7,5	7,5	less than 55
	16	22,0	13,0	less than 50
Insulation resistance	≈ 5000 MΩ			
Service rating	Test voltage	Service class	Vrms	VDC
	Sea level	1	1500	2100
Exception Service rating between the central contact and the housing of the coaxial contact		2	2300	3200
	21336 m (70 000 ft.)	1	375	535
		2	550	770
	Operating voltage			
	Service class		VG 95328	MIL-C-26482
	1		140 VDC/100 VAC	850 VDC/600 VAC
	2		165 VDC/115 VAC	1400 VDC/1000 VAC

Operating voltage and connector usage

When the connectors in this catalogue are used for voltages greater than 50 Volts and have touchable conductive shell parts they must be used in accordance with the safety regulations DIN VDE Part 410; IEC 60364-4-41. This regulation basically dictates that the power source should be turned off before any mating and unmating of the connector, this regulation does not provide for protection against electrical shock when mating and unmating the connectors in the live condition.

KPT General purpose solder contact connectors



- General purpose
- Solder termination
- Closed entry socket contacts

Series KPT from Cannon offers general purpose connectors, qualified for use in military applications but also widely used in industrial applications calling for a circular connector with fixed contacts for solder termination.

The KPT series is MIL-C-26482 approved and is intermateable with all connectors acc. to the above mentioned specifications.

KPT General purpose solder contact connectors

How to order*

KPT 02 E 22 - 36 P W *

Series _____
 KPT – Cannon Prefix

Shell style _____
 Cannon designation
 00 – wall mounting receptacle
 01 – cable connecting plug
 02 – box mounting receptacle (class E only), not with contact arrangement 14A4
 06 – straight plug
 07 – jam nut receptacle (hermetic version also available)
 08 – 90° angle plug
 B – thru-bulkhead receptacle (class E only)

Class _____
 A – general duty with intermediate endbell
 B – general duty with strain relief (may be used for potting)
 E – with a grommet seal, not for 02 and 3112 (MS Spec)
 F – grommet seal with strain relief (MS Spec)

Shell sizes _____
 8, 10, 12, 14, 16, 18, 20, 22 und 24

Contact arrangement _____
 see page 9 – 11

Contact type _____
 P – pin
 S – socket

Alternate insert position _____
 W, X, Y and Z (omit for normal)
 see page 12

Modification code _____
 A232 – Zinc Cobalt, black
 A233 – Zinc Cobalt, green
 DN – Shrink boot adapter for shell styles 00, 01, 06 and 07
 DZ – Endbell for shielding braids and shrink boots.
 Class E will always be used for these modifications.

Consult factory for other modifications. Omit first digit (0) of shell style indication when using a modification code.

***Note:**
 The above mentioned order reference explanation refers only to the Cannon ordering system. For other order references according to a specification, please consult the cross reference list on pages 29 – 30.

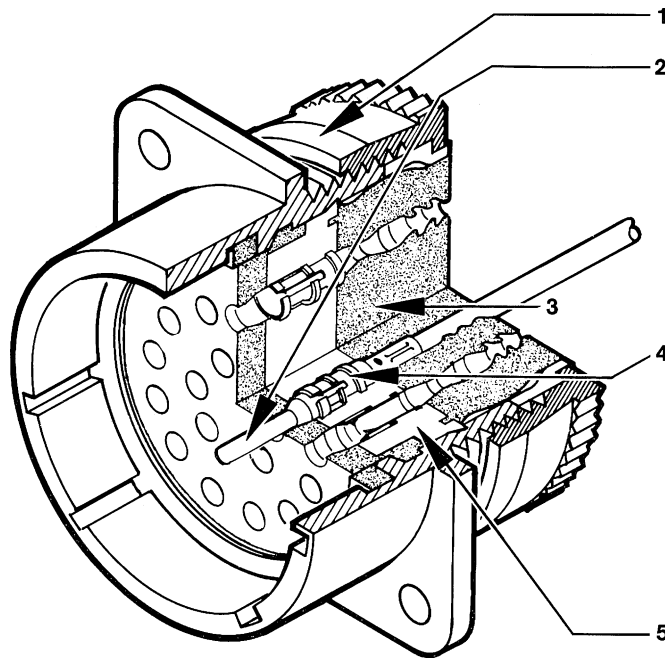
KPSE High performance crimp contact connectors

- High performance
- Crimp termination
- Closed entry socket contacts

Series KPSE environmental, miniature circular, quick disconnect connectors are designed for the exacting requirements of today's electronic industry.

They are intermateable, intermountable and interchangeable with all connectors manufactured acc. to MIL-C-26482, LN 29500, VG 95328, NFC 93422 HE 301 and NFL 54125.

Connectors of Cannon series KPSE have obtained the VDE Expertise No. 63761.



1 Standard MIL-C-26482 or NFL 54 125 Hardware mates with any connector designed to MIL-C-26 482, LN 29500 or NF L 54 125 or NF C 93 422, HE 301 model

2 Crimp, snap-in contacts are designed to MIL-C-23216 and can be crimped with the standard M22520/1 crimp tool.

CLOSED-ENTRY SOCKET CONTACTS eliminate damage from abuse by test probes and help to correct any misaligned pins during engagement.

CONTACT INSERTION is accomplished from the rear of the connector. When the contact is fully inserted, the clip tines snap securely behind the contact shoulder.

CONTACT EXTRACTION is accomplished with a front-inserted extraction tool. Pressing the tool plunger pushes the contact out through the rear of the connector.

3 Monobloc insulator does not leave any access to moisture and avoids interfacial empty space.

4 Contact retaining clip is completely encased in a tough plastic wafer to protect the clip from damage.

Complete moisture sealing is achieved by combining four seals: shell, peripheral, interfacial and wire seals.

SHELL SEAL is effected when the plug shell pushes against the sealing ring in the receptacle when the connectors are mated.

PERIPHERAL SEAL around the edge of the pin insulator is designed so that mating the connector puts tension on the seal and greatly reduces compression set.

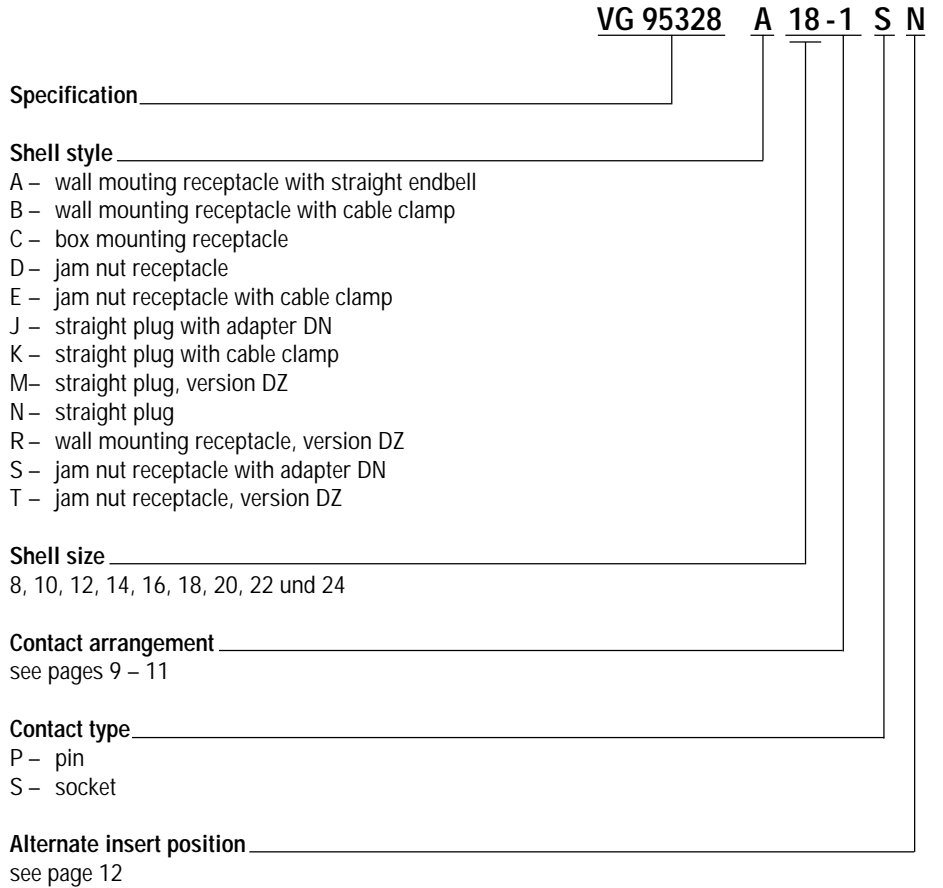
INTERFACIAL SEAL is achieved by the insulator faces meeting when the plug and receptacle are mated.

WIRE SEAL is accomplished by a multiple ripple design, exceeding the wire sealing requirements of MIL-C-26482.

5 Positive insert-to-shell mechanical retention with hard plastic wafer firmly locked into a groove in the shell, in addition to a strong adhesive bond between the insert and shell.

KPSE High performance crimp contact connectors

How to order acc. to VG 95328



KPSE High performance crimp contact connectors

<p>How to order</p> <p>Series _____ KPSE – Cannon prefix MS – MIL-C-26482 prefix</p> <p>Shell style _____ Cannon designation MS designation 00 – wall mounting receptacle 3120 – wall mounting receptacle 01 – cable connecting plug 3121 – cable connecting plug 02 – box mounting receptacle 3122 – box mounting receptacle 06 – straight plug 3124 – jam nut receptacle 07 – jam nut receptacle 3126 – straight plug 08 – 90° angle plug</p> <p>Class _____ A – general duty (not MS approved) B – general duty with strain relief (not MS approved) E – grommet seal (MS specification) F – grommet seal with strain relief (MS specification)</p> <p>Shell style _____ 8, 10, 12, 14, 16, 18, 20, 22 und 24</p> <p>Contact arrangement _____ see pages 9 – 11</p> <p>Contact type _____ P – pin S – socket</p> <p>Alternate insert position _____ W, X, Y and Z (omit for normal), see page 12</p> <p>Modification code _____ A232 – Zinc Cobalt, black A233 – Zinc Cobalt, green DN – Shrink boot adapter for shell styles 00, 01, 06 and 07 DZ – Endbell for shielding braids and shrink boots. Class E will always be used for these modifications.</p>	<p>KPSE 00 E 18 - 32 P X *</p>
---	---------------------------------------

Consult factory for other modifications. Omit first digit (0) of shell style indication when using a modification code.

***Note:**
 The above mentioned order reference explanation refers only to the Cannon ordering system. For other order references according to a specification, please consult the cross reference list on pages 29 – 30.

Contact Arrangements

	No. of contacts	Contact arrangement Contact size AWG	Service rating	Insulator position				Insulator weight (g) including contacts	
				W	X	Y	Z	pin	socket
	2	8-2 ▲▲ 20	1	58	122	-	-		
	3	8-3 ▲▲ 20	1	60	210	-	-		
	3	8-3A ▲●◇▼ 20	1	60	-	-	-		
	3	8-33 ▲◇△ 20	1	90	-	-	-		
	4	8-4 ▲▲ 20	1	45	-	-	-		
	6	10-6 ▲●▲◇▼ 20	1	90	-	-	-		
	6	10-98 ▲ 20	1	90	180	240	270		
	3	12-3 ▲●◇△▼ 16	2	-	-	180	-		
	8	12-8 ▲ 20	1	90	112	203	292		
	10	12-10 ▲●◇△▼ 20	1	60	155	270	295		
	5	14-5 ▲▲●◇▼ 16	2	40	92	184	273		
	12	14-12 ▲▲●◇ 20 (8) 16 (4)	1	43	90	-	-		

Legend

▲ KPT ◇ KPSE ▼ LN29500 △ authorized per MIL-C-26482 ● authorized per VG95328

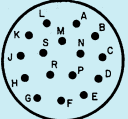
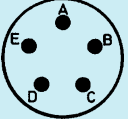


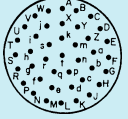
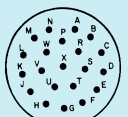

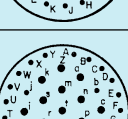
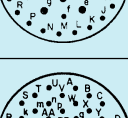
Contact Arrangements

	No. of contacts	Contact arrangement Contact size AWG	Service rating	Insulator position				Insulator weight (g) including contacts	
				W	X	Y	Z	pin	socket
	15	14-15 ▲●◇△ 20 (14) 16 (1)	1	17	110	155	234		
	19	14-19 ▲●◇△▼ 20	1	30	165	315	-		
	5	14-22 ◇ 12 (4) 20 (1)	1	-	-	-	-		
	4	14A4 ▲ Coax RG188U (not for receptacles shell style 02)	1	-	-	-	-		
	8	16-8 ▲▲●◇△ 16	2	54	152	180	331		
	23	16-23 ▲●◇ 20 (22) 16 (1)	1	158	270	-	-		
	26	16-26 ▲●◇△ 20	1	60	-	275	338		
	11	18-11 ▲●◇△▼ 16	2	62	119	241	340		
	32	18-32 ▲●◇△▼ 20	1	85	138	222	265		

Legend

▲ KPT ◇ KPSE ▼ LN29500 △ authorized per MIL-C-26482 ● authorized per VG95328


Contact Arrangements

	No. of contacts	Contact arrangement Contact size AWG	Service rating	Insulator position				Insulator weight (g) including contacts	
				W	X	Y	Z	pin	socket
	16	20-16 ▲●◇△▼ 16	2	238	316	333	347		
	5	20A6 ◇ 12	2	90	180	270	-		
		Note: contacts are 1 grounding pin and 4 standard size 12 pins							
	24	20-24 ▲ 20	1	70	145	215	290		
	39	20-39 ▲●◇△ 20 (37) 16 (2)	1	63	114	252	333		
	41	20-41 ▲●◇△▼ 20	1	45	126	225	-		
	21	22-21 ▲●◇△ 16	2	16	135	175	349		
	36	22-36 ▲● 20	1	72	144	216	288		
	41	22-41 ▲●△ 20 (27) 16 (14)	1 2	39	135	264	-		
	55	22-55 ▲●◇△▼ 20	1	30	142	226	314		

Legend

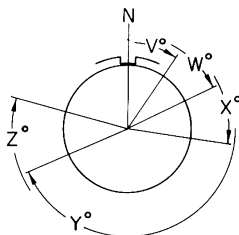
▲ KPT ◇ KPSE ▼ LN29500 △ authorized per MIL-C-26482 ● authorized per VG95328

Contact arrangements

	No. of contacts	Contact arrangement Contact size AWG	Service rating	Insulator position				Insulator weight (g) including contacts	
				W	X	Y	Z	pin	socket
	61	24-61 ▲●◇△ 20	1	90	180	270	324		
Legend ▲ KPT ◇ KPSE ▼ LN29500 △ authorized per MIL-C-26482 ● authorized per VG95328									

Alternate Insert Position

The diagram indicates alternate insert positions. The six positions N, V, W, Y, Z differ in degree of rotation for various sizes and arrangements. For the exact degree of rotation, for the list of contact arrangements and for alternate positions available, refer to the table at the right.

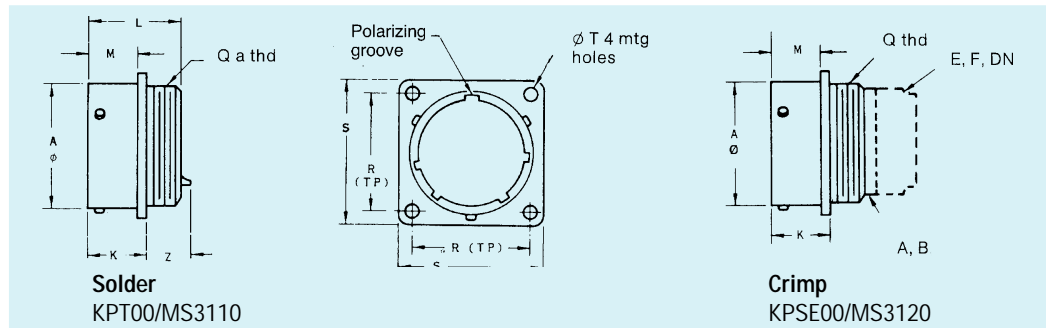
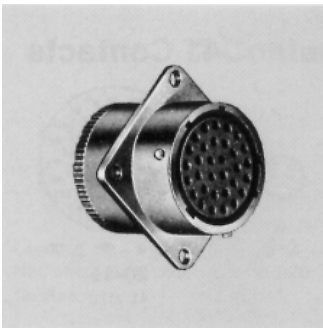


Shell size	Nbr. of contacts	Contact arr.	V	Degree of rotation			
				W	X	Y	Z
8	2	8-2	-	58	122	-	-
	3	8-3	-	60	210	-	-
	3	8-3A	-	60	-	-	-
	3	8-33	-	90	-	-	-
10	4	8-4	-	45	-	-	-
	6	10-6	-	90	-	-	-
10	6	10-98	-	90	180	240	270
	12	12-3	-	-	-	180	-
12	8	12-8	-	90	112	203	292
	10	12-10	-	60	155	270	295
14	4	14A4	-	-	-	-	-
	5	14-22	-	-	-	-	-
	5	14-22	-	40	92	184	273
	12	14-5	-	43	90	-	-
	15	14-15	-	17	110	155	234
	19	14-19	-	30	165	315	-
16	8	16-8	-	54	52	180	331
	23	16-23	-	158	270	-	-
	26	16-26	-	60	-	275	338
18	11	18-11	-	62	119	241	340
	32	18-32	-	85	138	222	265
20	5	20A6*	-	90	180	270	-
	16	20-16	-	238	318	333	347
	24	20-24	-	70	145	215	290
	39	20-39	-	63	114	252	333
	41	20-41	-	45	126	225	-
22	21	22-21	-	16	135	175	349
	36	22-36	-	72	144	216	288
	41	22-41	-	39	135	264	-
	55	22-55	-	30	142	226	314
24	61	24-61	-	90	180	270	324

* This contact arrangement features five contacts size 12. Four are standard contacts and one is a first-to-mate contact.

Wall mounting receptacles

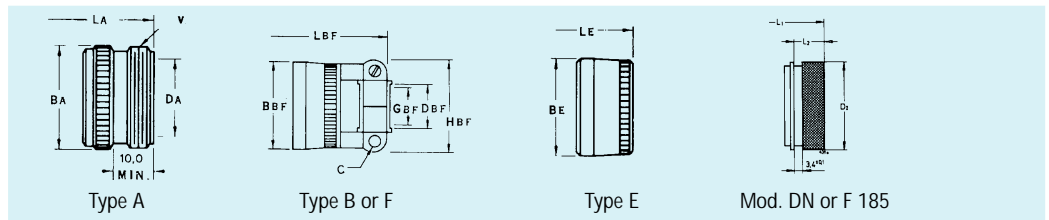
KPT00/MS3110 KPSE00/MS3120



Without termination assembly

	KPT/KPSE									KPT
Shell size*	Ø A	L	Q	K	M	R	S	T	Z	
	+0,03 -0,13	max.	Thread Type 2A	±0,25	±0,15	±0,15	max.	±0,15	max.	
◆8	12,00	21,6	7/16-28UNEF	13,5	11,6	15,1	21,0	3,05	12,3	
10	15,00	21,6	9/16-24UNEF	13,5	11,6	18,3	24,2	3,05	12,3	
12	19,05	21,6	11/16-24UNEF	13,5	11,6	20,6	26,6	3,05	12,3	
14	22,23	21,6	13/16-20UNEF	13,5	11,6	23,0	29,0	3,05	12,3	
16	25,40	21,6	15/16-20UNEF	13,5	11,6	24,6	31,3	3,05	12,3	
18	28,58	21,6	1- 1/16-18UNEF	13,5	11,6	27,0	33,7	3,05	12,3	
20	31,75	26,8	1- 3/16-18UNEF	16,5	14,25	29,4	36,9	3,05	10,8	
22	34,93	26,8	1- 5/16-18UNEF	16,5	14,25	31,8	40,1	3,05	10,8	
24	38,10	26,8	1- 7/16-18UNEF	17,3	15,1	34,9	43,3	3,75	10,0	

With termination assemblies



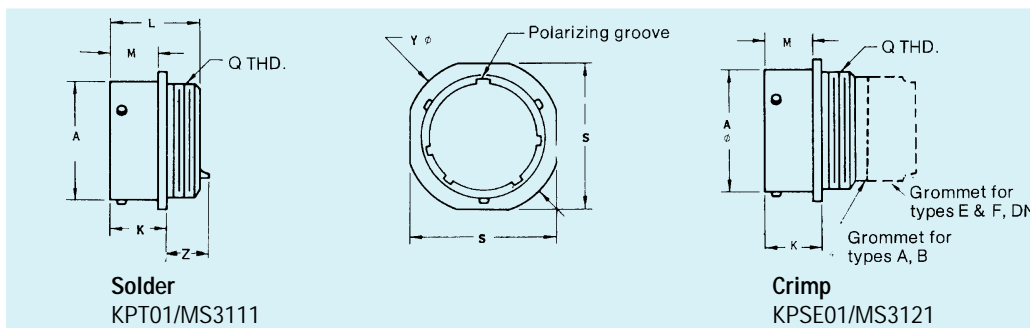
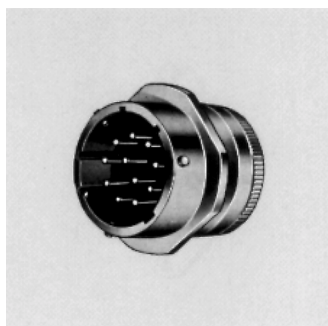
Shell size*	Typ A				Typ B and F					
	B _A max.	D _A min.	L _A max.	V Thread Type 2A	B _{BF} max.	C Thread	D _{BF} min.	G _{BF} min.	H _{BF} max.	L _{BF} max.
◆8	15,0	8,5	38,0	1/2-28UNEF	14,0	6-32	6,0	2,9	19,3	45,1
10	18,2	11,8	38,0	5/8-24UNEF	17,2	6-32	7,5	4,5	20,8	45,1
12	21,2	15,0	38,0	3/4-20UNEF	20,4	6-32	10,7	7,7	24,4	45,1
14	24,6	17,9	38,0	7/8-20UNEF	23,6	6-32	13,9	9,3	27,2	45,1
16	27,7	21,1	38,0	1-20UNEF	26,7	6-32	15,5	12,4	28,7	48,2
18	30,9	24,1	38,0	1-3/16-18UNEF	29,5	8-32	19,6	15,6	35,3	48,2
20	33,9	26,5	43,1	1-3/16-18UNEF	32,7	8-32	19,6	15,6	35,3	50,0
22	37,1	30,4	43,1	1-7/16-18UNEF	35,9	8-32	23,6	18,8	39,9	50,0
24	40,3	32,8	43,1	1-7/16-18UNEF	39,0	8-32	25,2	20,1	43,2	50,0

Shell size*	Type E		Mod. DN or F 185		
	B _E max.	L _E max.	D2	L1	L2
◆8	14,2	32,5	-0,5	35,0	±0,5
10	17,2	32,5	15,6	35,0	12,2
12	20,4	32,5	18,4	35,0	12,2
14	23,4	32,5	23,7	35,0	12,2
16	26,6	32,5	24,5	35,0	12,2
18	29,6	32,5	29,8	37,0	14,5
20	32,8	34,5	32,0	37,0	14,5
22	36,0	34,5	36,1	42,0	15,8
24	39,2	34,5	38,5	42,0	15,8
			41,6	42,0	14,9

* See page 5, 7 and 8 for ordering number information ◆ in series KPSE only contact arrangements 8-3A and 8-33 available

Cable connecting plugs

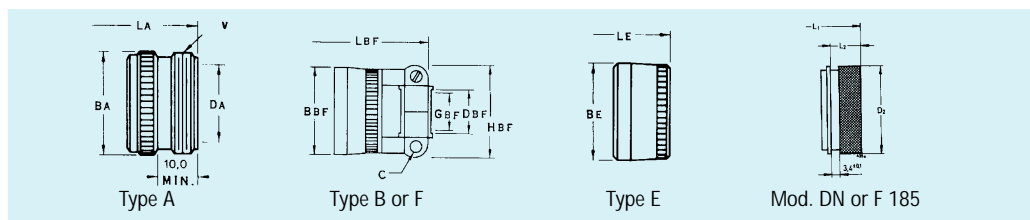
KPT01/MS3111 KPSE01/MS3121



Without termination assembly

Shell size*	∅ A	K	L	M	Q	S	∅ Y	Z
	+0,03 -0,13	±0,25	max.	±0,15	Thread Type 2A	max.	max.	max.
◆8	12,00	13,5	21,5	11,6	7/16-28UNEF	20,6	23,8	12,3
10	15,00	13,5	21,5	11,6	9/16-24UNEF	23,8	26,9	12,3
12	19,05	13,5	21,5	11,6	11/16-24UNEF	26,15	29,3	12,3
14	22,23	13,5	21,5	11,6	13/16-20UNEF	28,5	31,7	12,3
16	25,40	13,5	21,5	11,6	15/16-20UNEF	30,7	34,1	12,3
18	28,58	13,5	21,5	11,6	1- 1/16-18UNEF	33,3	36,5	12,3
20	31,75	16,5	26,8	14,25	1- 3/16-18UNEF	36,5	39,6	10,8
22	34,93	16,5	26,8	14,25	1- 5/16-18UNEF	39,6	42,8	10,8
24	38,10	17,5	26,8	15,1	1- 7/16-18UNEF	42,8	46,0	10,0

With termination assemblies



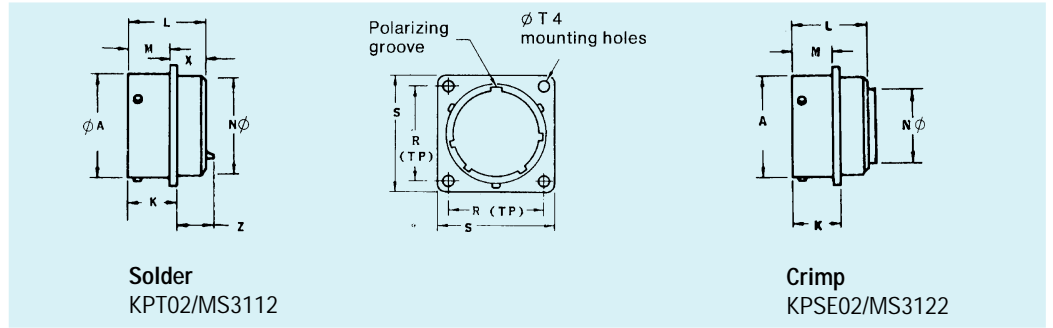
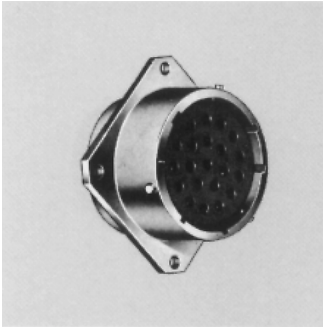
Shell size*	Typ A				Type B and F					
	B _A max.	D _A min.	L _A max.	V	B _{BF} max.	C	D _{BF} min.	G _{BF} min.	H _{BF} max.	L _{BF} max.
◆8	15,0	8,5	38,0	1/2-28UNEF	14,0	6-32	6,0	2,9	19,3	46,0
10	18,2	11,8	38,0	5/8-24UNEF	17,2	6-32	7,5	4,5	20,8	46,0
12	21,2	15,0	38,0	3/4-20UNEF	20,4	6-32	10,7	7,7	24,4	46,0
14	24,6	17,9	38,0	7/8-20UNEF	23,6	6-32	13,9	9,3	27,2	46,0
16	27,7	21,1	38,0	1-20UNEF	26,7	6-32	15,5	12,4	28,7	49,0
18	30,9	24,1	38,0	1-3/16-18UNEF	29,5	8-32	19,6	15,6	35,3	49,0
20	33,9	26,5	43,1	1-3/16-18UNEF	32,7	8-32	19,6	15,6	35,3	51,1
22	37,1	30,4	43,1	1-7/16-18UNEF	35,9	8-32	23,6	18,8	39,9	51,1
24	40,3	32,8	43,1	1-7/16-18UNEF	39,0	8-32	25,2	20,1	43,2	51,1

Shell size*	Type E		Mod. DN or F 185		
	B _E max.	L _E max.	D2	L1	L2
◆8	14,2	32,5	-0,5	35,0	12,2
10	17,2	32,5	18,4	35,0	12,2
12	20,4	32,5	23,7	35,0	12,2
14	23,4	32,5	24,5	35,0	12,2
16	26,6	32,5	29,8	37,0	14,5
18	29,6	32,5	32,0	37,0	14,5
20	32,8	34,5	36,1	42,0	15,8
22	36,0	34,5	38,5	42,0	15,8
24	39,2	34,5	41,6	42,0	14,9

* See page 5, 7 and 8 for ordering number information ◆ in series KPSE only contact arrangements 8-3A and 8-33 available

Box mounting receptacles

KPT02/MS3112 KPSE02/MS3122



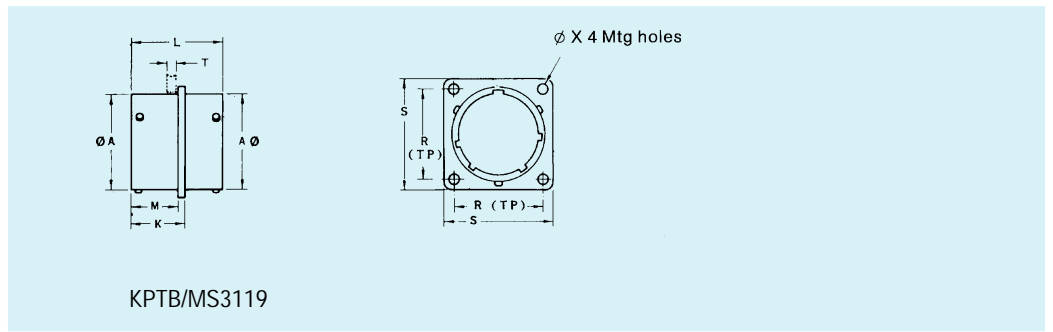
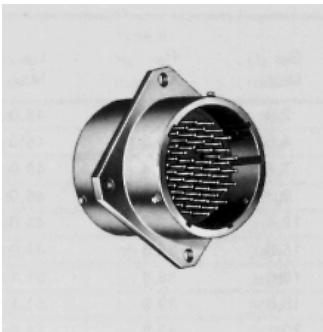
Without termination assemblies

Shell size*	KPT/KPSE								
	Ø A	L	N	K	M	R	S	T	KPT Z
◆8	+0,03 -0,13	max.	max.	±0,25	±0,15	±0,15	max.	±0,15	max.
10	12,00	21,1	11,1	13,5	11,6	15,1	21,0	3,05	12,3
12	15,00	21,1	14,3	13,5	11,6	18,3	24,2	3,05	12,3
14	19,05	21,1	17,5	13,5	11,6	20,6	26,6	3,05	12,3
16	22,23	21,1	20,6	13,5	11,6	23,0	29,0	3,05	12,3
18	25,40	21,1	23,8	13,5	11,6	24,6	31,3	3,05	12,3
20	28,58	21,1	27,0	13,5	11,6	27,0	33,7	3,05	12,3
22	31,75	22,7	30,2	16,5	14,25	29,4	36,9	3,05	10,8
24	34,93	22,7	33,4	16,5	14,25	31,8	40,1	3,05	10,8
	38,10	22,7	36,5	17,3	15,1	34,9	43,3	3,75	10,0

* See page 5, 7 and 8 for ordering number information ◆ in series KPSE only contact arrangements 8-3A and 8-33 available

Thru-bulkhead receptacles

KPTB/MS3119



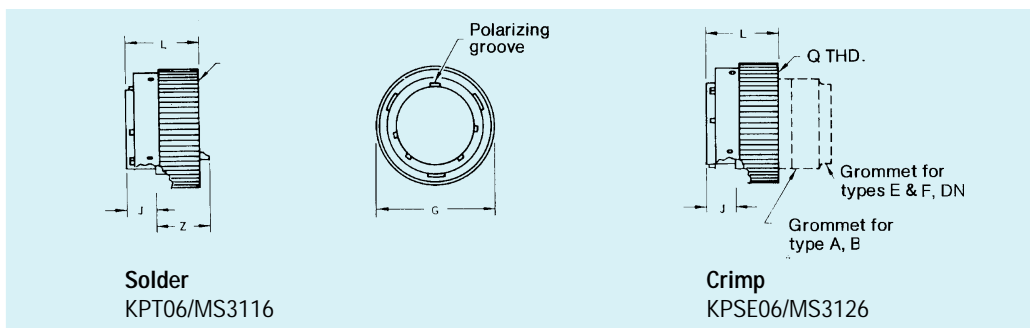
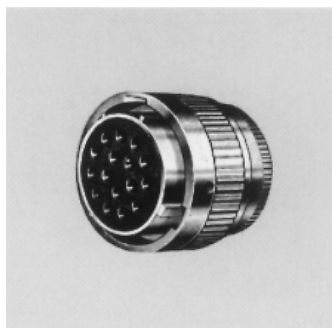
Receptacle assembly

Shell size*	Ø A	K	L	M	T	R	S	X
	+0,03 -0,13	±0,5	max.	±0,25	max.	±0,15	max.	±0,15
◆8	12,00	16,1	28,6	14,5	6,0	15,1	21,0	3,05
10	15,00	16,1	28,6	14,5	6,0	18,3	24,2	3,05
12	19,05	16,1	28,6	14,5	6,0	20,6	26,6	3,05
14	22,23	16,1	28,6	14,5	6,0	23,0	29,0	3,05
16	25,40	16,1	28,6	14,5	6,0	24,6	31,3	3,05
18	28,58	16,1	28,6	14,5	6,0	27,0	33,7	3,05
20	31,75	20,1	31,9	17,7	9,2	29,4	36,9	3,05
22	34,93	20,1	31,9	17,7	9,2	31,8	40,1	3,05
24	38,10	20,1	31,9	17,7	8,0	34,9	43,3	3,75

* See page 5, 7 and 8 for ordering number information ◆ in series KPSE only contact arrangements 8-3A and 8-33 available

Straight plugs

KPT06/MS3116 KPSE06/MS3126



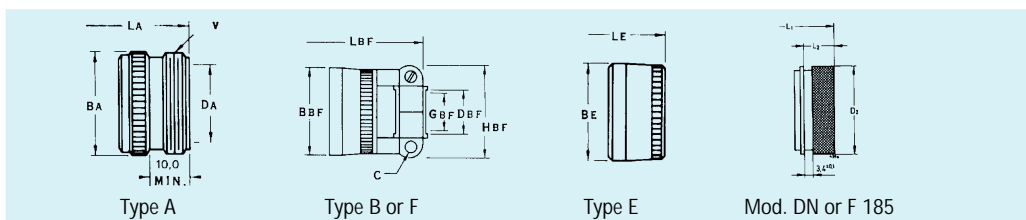
Solder
KPT06/MS3116

Crimp
KPSE06/MS3126

Without termination assemblies

	KPT/KPSE				KPT
Shell size*	G	J	L	Q Thread	Z
max.		±0,15	max.	Thread Type 2A	max.
◆8	19,8	9,1	21,4	7/16-28UNEF	16,3
10	23,6	9,1	21,4	9/16-24UNEF	16,3
12	26,5	9,1	21,4	11/16-24UNEF	16,3
14	30,1	9,1	21,4	13/16-20UNEF	16,3
16	33,2	9,1	21,4	15/16-20UNEF	16,3
18	35,4	9,1	21,4	1- 1/16-18UNEF	16,3
20	39,0	10,7	25,1	1- 3/16-18UNEF	15,0
22	42,1	10,7	25,1	1- 5/16-18UNEF	15,0
24	45,2	10,7	25,1	1- 7/16-18UNEF	15,0

With termination assemblies



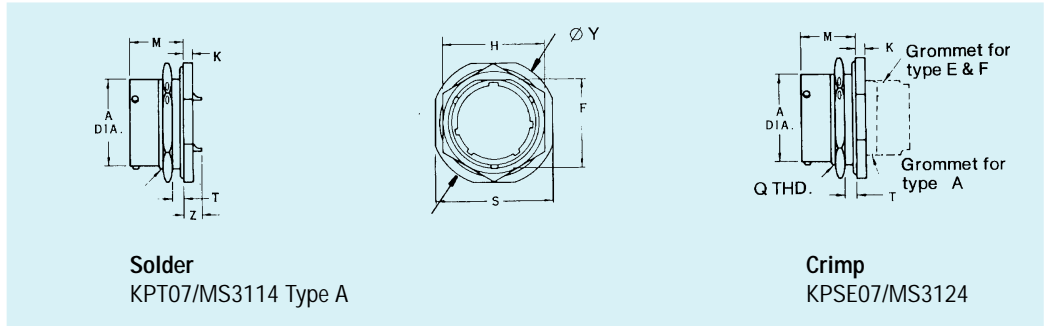
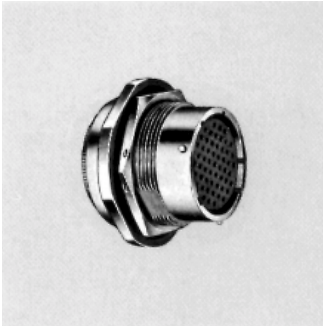
Shell size*	Type A				Type B and F					
	B _A max.	D _A min.	L _A max.	V Thread Type 2A	B _{BF} max.	C Thread	D _{BF} min.	G _{BF} min.	H _{BF} max.	L _{BF} max.
◆8	15,0	8,5	42,0	1/2-28UNEF	14,0	6-32	6,0	2,9	19,3	46,0
10	18,2	11,8	42,0	5/8-24UNEF	17,2	6-32	7,5	4,5	20,8	46,0
12	21,2	15,0	42,0	3/4-20UNEF	20,4	6-32	10,7	7,7	24,4	46,0
14	24,6	17,9	42,0	7/8-20UNEF	23,6	6-32	13,9	9,3	27,2	46,0
16	27,7	21,1	42,0	1-20UNEF	26,7	6-32	15,5	12,4	28,7	49,0
18	30,9	24,1	42,0	1-3/16-18UNEF	29,5	8-32	19,6	15,6	35,3	49,0
20	33,9	26,5	45,0	1-3/16-18UNEF	32,7	8-32	19,6	15,6	35,3	49,0
22	37,1	30,4	45,0	1-7/16-18UNEF	35,9	8-32	23,6	18,8	39,9	49,0
24	40,3	32,8	45,0	1-7/16-18UNEF	39,0	8-32	25,2	20,1	43,2	49,0

Shell size*	Type E		Mod. DN or F 185		
	B _E max.	L _E max.	D ₂	L ₁ max.	L ₂
◆8	14,2	32,5	15,6	35,0	±0,5
10	17,2	32,5	18,4	35,0	12,2
12	20,4	32,5	23,7	35,0	12,2
14	23,4	32,5	24,5	35,0	12,2
16	26,6	32,5	29,8	37,0	14,5
18	29,6	32,5	32,0	37,0	14,5
20	32,8	34,5	36,1	42,0	15,8
22	36,0	34,5	38,5	42,0	15,8
24	39,2	34,5	41,6	42,0	14,9

* See page 5, 7 and 8 for ordering number information ◆ in series KPSE only contact arrangements 8-3A and 8-33 available

Jam nut receptacle

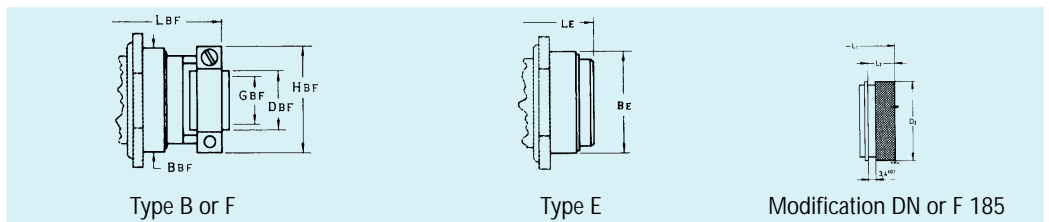
KPT07/MS3114 KPSE07/MS3124



Without termination assemblies

Shell size*	KPT/KPSE										
	A	F	H	K	M	R	S	T Panel thickness		Ø Y	Z
◆8	+0,03 -0,13	±0,15	±0,15	±0,25	±0,15	Thread Type 2A	±0,5	min.	max.	max.	max.
10	12,0	13,3	19,0	3,2	17,7	9/16-24UNEF	24,0	1,6	3,5	28,0	7,9
12	15,0	16,5	22,2	3,2	17,7	11/16-24UNEF	27,0	1,6	3,5	31,0	7,9
14	19,05	20,6	27,0	3,2	17,7	7/8-20UNEF	32,0	1,6	3,5	36,0	7,9
16	22,23	23,8	30,2	3,2	17,7	1-20UNEF	35,0	1,6	3,5	39,0	7,9
18	25,40	26,9	33,3	3,2	17,7	1-1/8-18UNEF	38,5	1,6	3,5	42,0	7,9
20	28,58	30,1	36,5	3,2	17,7	1-1/4-18UNEF	41,5	1,6	3,5	45,0	7,9
22	31,75	33,3	39,7	4,0	22,5	1-3/8-18UNEF	46,0	1,6	6,5	50,0	4,7
24	34,93	36,5	42,9	4,0	22,5	1-1/2-18UNEF	49,5	1,6	6,5	55,0	4,7
24	38,10	39,6	46,0	4,0	23,3	1-5/8-18UNEF	52,5	1,6	6,5	57,0	3,8

With termination assemblies

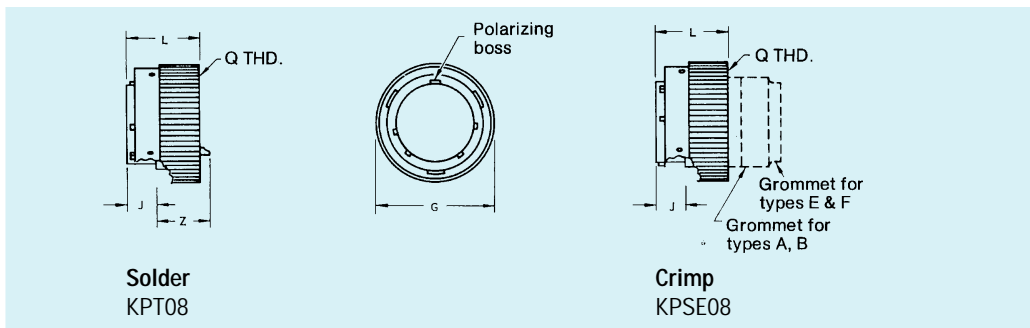
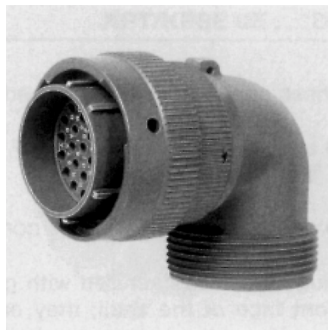


Shell size*	Type B and F				Type E		Type DN			
	B _{BF} max.	D _{BF} min.	G _{BF} min.	H _{BF} max.	L _{BF} max.	B _E max.	L _E max.	L ₁ max.	L ₂ ±0,5	D ₂ max.
◆8	18,2	6,0	2,9	19,3	44,9	18,2	33,5	43,0	12,2	15,6
10	21,5	7,5	4,5	20,8	44,9	21,5	33,5	43,0	12,2	18,4
12	24,6	10,7	7,7	24,2	44,9	24,6	33,5	43,0	12,2	23,7
14	27,8	13,9	9,3	27,2	44,9	27,8	33,5	43,0	12,2	24,7
16	31,0	15,5	12,4	28,7	48,4	31,0	33,5	45,5	14,5	29,8
18	34,1	19,6	15,6	35,3	48,4	34,1	33,5	45,5	14,5	32,0
20	38,1	19,6	15,6	35,3	50,3	38,1	39,0	52,6	15,8	36,1
22	41,3	23,6	18,8	39,8	50,3	41,3	39,0	52,6	15,8	28,5
24	44,5	25,2	20,1	43,2	50,3	44,5	39,0	51,6	14,9	41,6

* See page 5, 7 and 8 for ordering number information ◆ in series KPSE only contact arrangements 8-3A and 8-33 available

Right angle plug, 90°

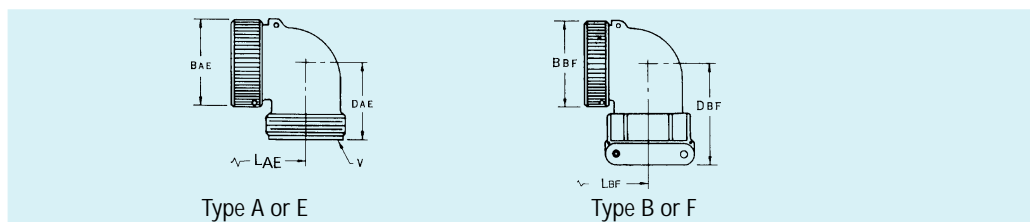
KPT08 KPSE08



Without termination assemblies

	KPT/KPSE				KPT
Shell size*	G	J	L	Q	Z
max.		±0,15	max.	Thread Type 2A	max.
8	19,8	9,1	21,4	7/16-28UNEF	16,3
10	23,6	9,1	21,4	9/16-24UNEF	16,3
12	26,5	9,1	21,4	11/16-24UNEF	16,3
14	30,1	9,1	21,4	13/16-20UNEF	16,3
16	33,2	9,1	21,4	15/16-20UNEF	16,3
18	35,4	9,1	21,4	1- 1/16-18UNEF	16,3
20	39,0	10,7	25,1	1- 3/16-18UNEF	15,0
22	42,1	10,7	25,1	1- 5/16-18UNEF	15,0
24	45,2	10,7	25,1	1- 7/16-18UNEF	15,0

With termination assemblies



Shell size*	Type A and E				Type B and F			
	B _{AE} max.	L _{AE} max.	D _{AE} max.	V	B _{BF} max.	D _{BF} max.	L _{BF} max.	
8	15,6	36,1	20,9	1/2-28UNEF	15,6	31,4	36,1	
10	18,9	38,3	21,7	5/8-24UNEF	18,9	32,2	38,3	
12	21,2	40,9	23,3	3/4-20UNEF	21,2	35,4	40,9	
14	24,8	41,6	24,9	7/8-20UNEF	24,8	38,6	41,6	
16	27,7	42,5	26,5	1-20UNEF	27,7	40,2	42,5	
18	31,4	44,7	28,1	1-3/16-18UNEF	31,4	41,8	44,7	
20	34,7	48,3	29,6	1-3/16-18UNEF	34,7	43,4	48,3	
22	36,9	52,1	31,7	1-7/16-18UNEF	36,9	47,9	52,1	
24	41,1	52,1	33,6	1-7/16-18UNEF	41,1	49,9	52,1	

* See page 5, 7 and 8 for ordering number information ♦ in series KPSE only contact arrangements 8-3A and 8-33 available

Special versions with grounding continuity

These connectors are designed to ensure electrical continuity

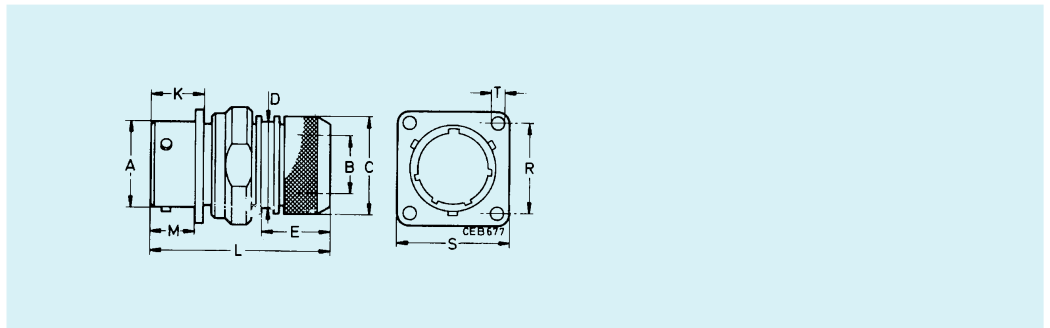
- at the cable shielding level
(to protect it against radio frequency interferences)
- at the grounding level
(if it is connected to the shielding).

The plugs are manufactured with grounding fingers fixed to the front face of the shell. They make contact with the inner side of the receptacle shell.

Plug and receptacle feature a special endbell which supports the cable shielding. The connectors are in accordance with the VG 95328 specification.

Receptacle with grounding continuity (for shielded cable)

KPT/KPSE 0E ... DZ

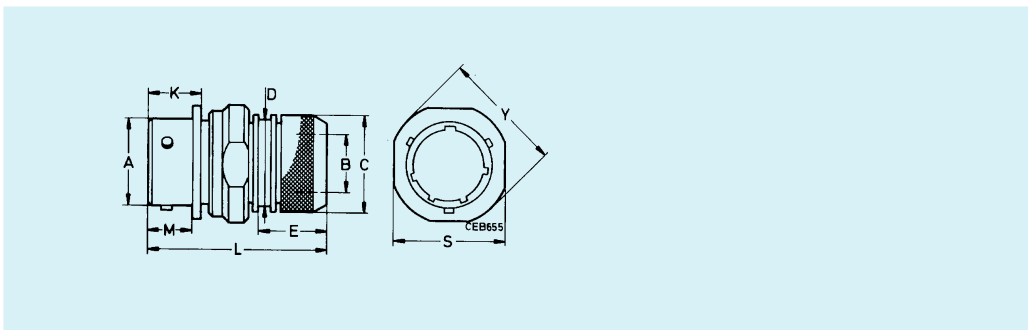


Shell size*	A	B	C	D	E	K	L	M	R	S	ØT
	+0,03 -0,13	min.	+0,5	max.	1,00	±0,25	max.	±0,15	±0,15	max.	±0,15
◆8	12,00	6,6	16,0	13,3	15,0	13,5	52,0	11,6	15,1	21,0	3,05
10	15,00	9,2	18,0	16,1	15,0	13,5	52,0	11,6	18,3	24,2	3,05
12	19,05	12,2	22,0	20,0	17,0	13,5	52,0	11,6	20,6	26,6	3,05
14	22,23	15,2	25,0	22,2	18,0	13,5	53,0	11,6	23,0	29,0	3,05
16	25,40	18,3	28,0	26,2	18,0	13,5	53,0	11,6	24,6	31,3	3,05
18	28,58	20,0	32,0	28,5	18,0	13,5	53,0	11,6	27,0	33,7	3,05
20	31,75	23,0	34,0	32,5	18,0	16,5	58,0	14,25	29,4	36,9	3,05
22	34,93	26,0	38,0	34,8	18,0	16,5	58,0	14,25	31,7	40,1	3,05
24	38,10	28,8	41,0	37,9	18,0	17,3	58,0	15,1	34,9	43,3	3,75

* See pages 5 and 8 for ordering number information ◆ in series KPSE only contact arrangements 8-3A and 8-33 available

Cable connecting plug with grounding continuity (for shielding cable)

KPT/KPSE 1E ... DZ

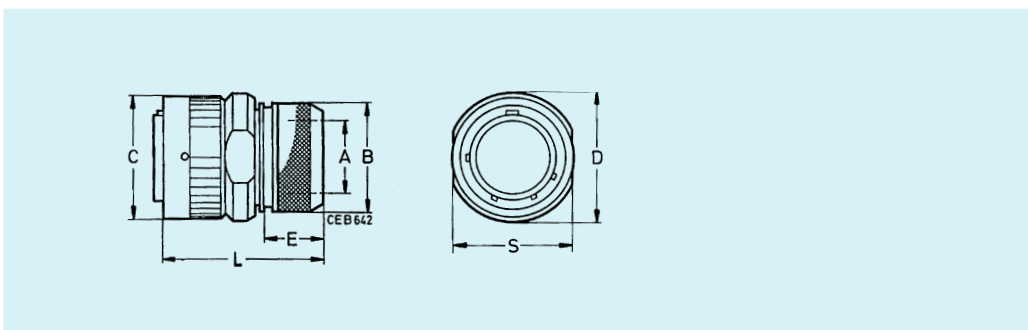


Shell size*	A +0,03 -0,13	B min.	C +0,50	D max.	E ±1,0	K ±0,25	L max.	M ±0,15	S max.	Ø Y max.
◆8	12,00	6,6	16,0	13,3	15,0	13,5	52,0	11,6	18,5	21,0
10	15,00	9,2	18,0	16,1	15,0	13,5	52,0	11,6	23,0	24,2
12	19,05	12,2	22,0	20,0	17,0	13,5	52,0	11,6	29,0	26,6
14	22,23	15,2	25,0	22,2	18,0	13,5	53,0	11,6	29,5	29,0
16	25,40	18,3	28,0	26,2	18,0	13,5	53,0	11,6	32,0	31,3
18	28,58	20,0	32,0	28,5	18,0	13,5	53,0	11,6	35,0	33,7
20	31,75	23,0	34,0	32,5	18,0	16,5	58,0	14,25	38,5	36,9
22	34,93	26,0	38,0	34,8	18,0	16,5	58,0	14,25	42,0	40,1
24	38,10	28,8	41,0	37,9	18,0	17,5	58,0	15,10	46,0	43,3

* See pages 5 and 8 for ordering number information ◆ in series KPSE only contact arrangements 8-3A and 8-33 available

Straight plug with grounding continuity

KPT/KPSE6E.DZ

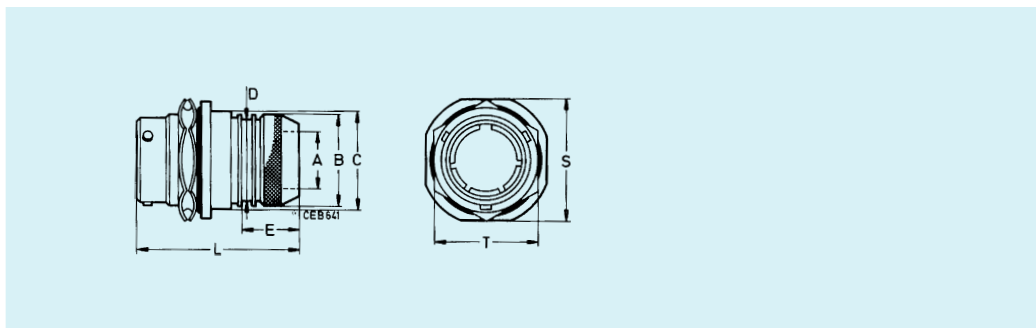


Shell size*	A min.	B +0,50	C max.	D max.	E ±1,0	L max.	S ±0,2
◆8	6,6	16,0	19,1	20,0	15,0	48,0	17,0
10	9,2	18,0	22,0	15,0	15,0	48,0	19,0
12	12,2	22,0	26,2	26,0	17,0	48,0	23,0
14	15,2	25,0	29,4	30,0	18,0	49,0	26,0
16	18,3	28,0	32,8	33,0	18,0	49,0	29,0
18	20,0	32,0	35,4	36,0	18,0	49,0	33,0
20	23,0	34,0	39,0	40,0	18,0	53,0	35,0
22	26,0	38,0	42,1	43,0	18,0	53,0	39,0
24	28,8	41,0	45,2	46,0	18,0	53,0	42,0

* See pages 5 and 8 for ordering number information ◆ in series KPSE only contact arrangements 8-3A and 8-33 available

Jam nut receptacle with grounding continuity (for shielding cable)

KPT/KPSE 7E ... DZ

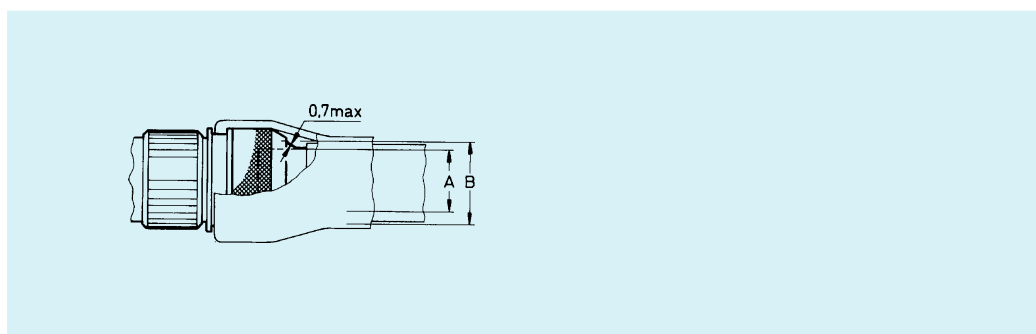
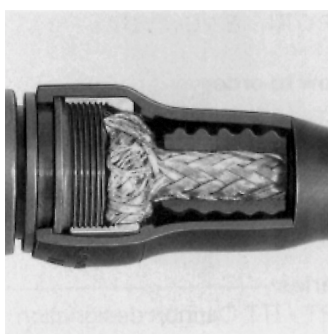


Shell size*	Ø A min.	Ø B +0,50	Ø C max.	D max.	E 1,0	L max.	S ±0,25	T ±0,25
◆8	6,6	16,0	18,2	13,3	15,0	47,0	23,0	19,0
10	9,2	18,0	21,4	16,1	15,0	47,0	27,0	22,2
12	12,2	22,0	24,6	20,0	17,0	49,0	31,7	27,0
14	15,2	25,0	27,8	22,2	18,0	50,0	34,9	30,2
16	18,3	28,0	30,9	26,2	18,0	50,0	38,1	33,3
18	20,0	32,0	34,1	28,5	18,0	50,0	41,3	36,5
20	23,0	34,0	38,1	32,5	18,0	55,0	46,0	39,7
22	26,0	38,0	41,3	34,8	18,0	55,0	49,2	42,9
24	28,8	41,0	44,4	37,9	18,0	55,0	52,3	46,0

* See pages 5 and 8 for ordering number information ◆ in series KPSE only contact arrangements 8-3A and 8-33 available

Assembly of a connector with a ground continuity endbell

KPT/KPSE ... DZ

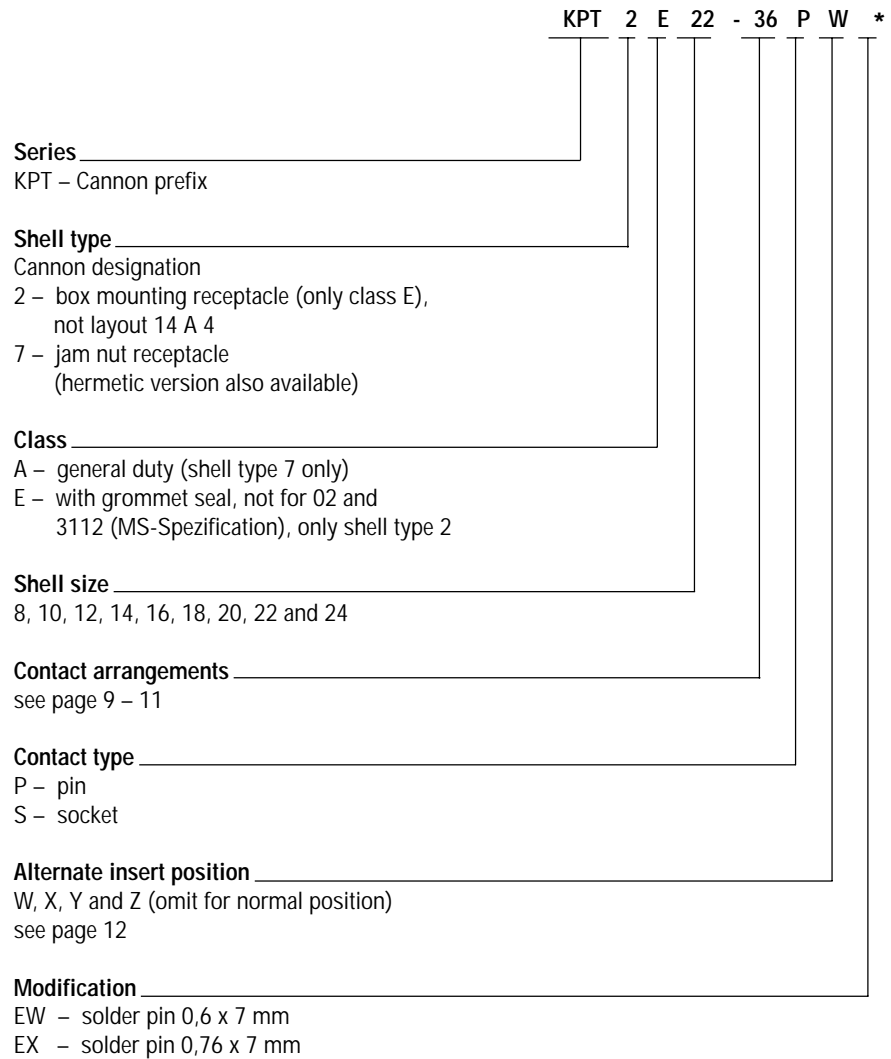


Shell size*	± A max.	± B max.
◆8	6,6	8,0
10	9,2	10,0
12	12,2	14,0
14	15,2	17,0
16	18,3	20,0
18	20,0	24,0
20	23,0	27,0
22	26,0	30,0
24	28,8	33,0

* See pages 5 and 8 for ordering number information ◆ in series KPSE only contact arrangements 8-3A and 8-33 available

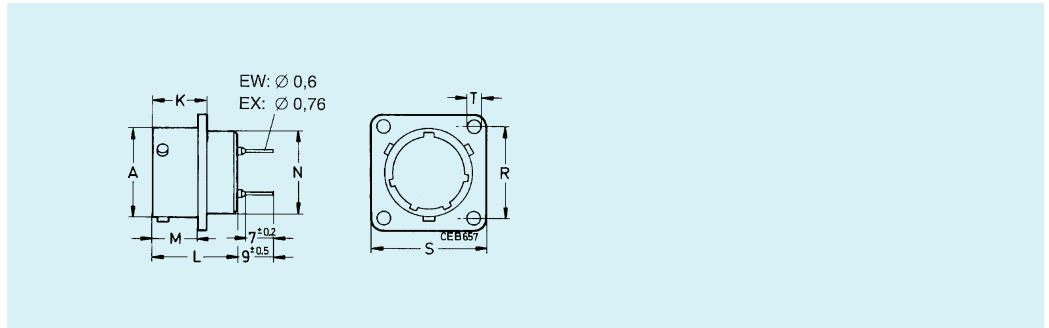
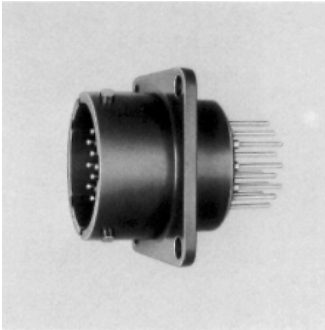
Receptacles with straight solder pins

How to order



Box mounting receptacle

KPT 2* P/S** .***

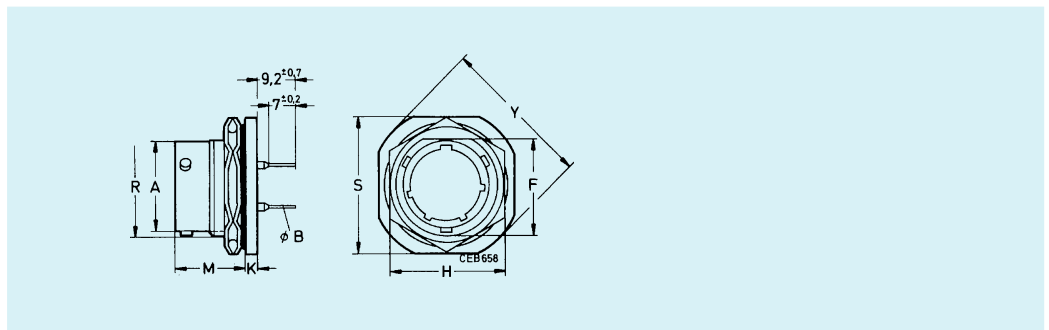
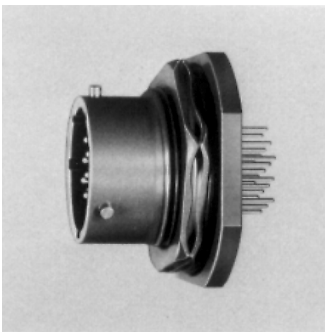


Shell size	A	K	L	M	N	R	S	Ø T
	+0,03 -0,13	±0,25	max.	±0,15	max.	±0,15	max.	±0,15
8	12,00	13,50	21,1	11,60	11,10	15,10	21,00	3,05
10	15,00	13,50	21,1	11,60	14,30	18,30	24,20	3,05
12	19,05	13,50	21,1	11,60	17,50	20,60	26,60	3,05
14	22,23	13,50	21,1	11,60	20,60	23,00	29,00	3,05
16	25,40	13,50	21,1	11,60	23,80	24,60	31,30	3,05
18	28,58	13,50	21,1	11,60	27,00	27,00	33,70	3,05
20	31,75	16,50	22,7	14,25	30,20	29,40	36,90	3,05
22	34,93	16,50	22,7	14,25	33,40	31,70	40,10	3,05
24	38,10	17,30	22,7	15,10	36,50	34,90	43,30	3,75

Order ref. see page 22

Jam nut receptacle

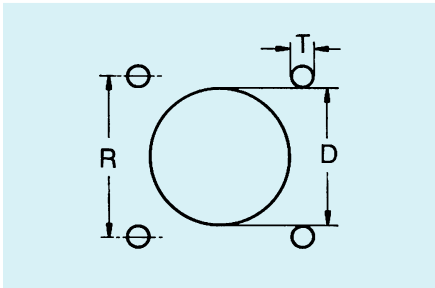
KPT 7* P/S** .***



Shell size*	A	F	H	K	M	R	S	Panel thickness	Y
	+0,03 -0,13	±0,15	±0,15	±0,25	±0,15	Thread Type 2 A	±0,5	min.	max.
8	12,00	13,3	19,0	3,2	17,7	9/16-24UNEF	24,0	1,6	28,0
10	15,00	16,5	22,2	3,2	17,7	11/16-24UNEF	27,0	1,6	31,0
12	19,05	20,6	27,0	3,2	17,7	7/8-20UNEF	32,0	1,6	36,0
14	22,23	23,8	30,2	3,2	17,7	1- 20UNEF	35,0	1,6	39,0
16	25,40	26,9	33,3	3,2	17,7	1- 1/8-18UNEF	38,5	1,6	42,0
18	28,58	30,1	36,5	3,2	17,7	1- 1/4-18UNEF	41,5	1,6	45,0
20	31,75	33,3	39,7	4,0	22,5	1- 3/8-18UNEF	46,0	1,6	50,0
22	34,93	36,5	42,9	4,0	22,5	1- 1/2-18UNEF	49,5	1,6	55,0
24	38,10	39,6	46,0	4,0	23,3	1- 5/8-18UNEF	52,5	1,6	57,0

Order ref. see page 22

Panel cutouts

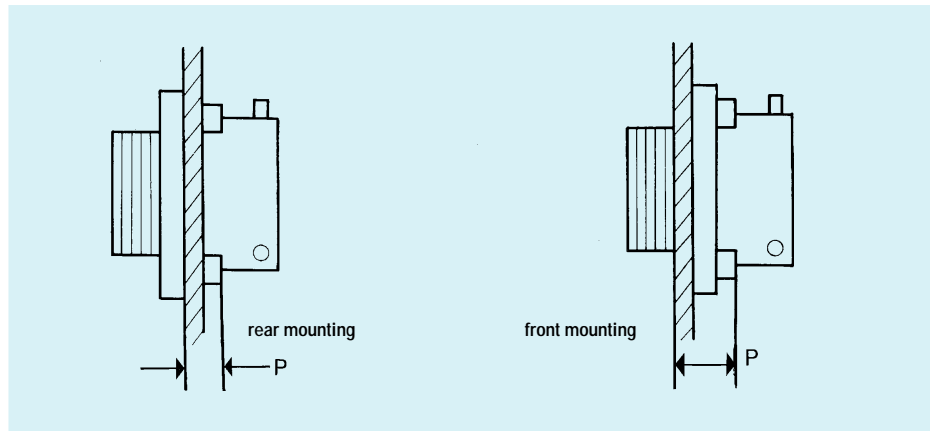


Box and wall mounting receptacle

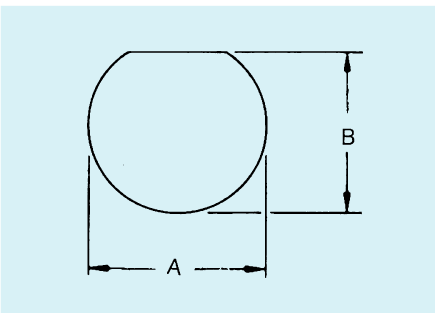
Shell size	for rear mounting	for front mounting	
	D +0,25 / -0	D +0,25 / -0	R ±0,15
8	14	12,7	15,1
10	17	16	18,3
12	22	19	20,6
14	25	22,2	23,0
16	28	25,5	24,6
18	31	28,5	27,0
20	34,5	31,7	29,4
22	37,5	35	31,8
24	41	38	34,9

Mounting hole diameter

Shell size	KPT/KPSE	P - Panel thickness
	T +0,3	screw head height included
8	3,1	2,2
10	3,1	2,2
12	3,1	2,2
14	3,1	2,2
16	3,1	2,2
18	3,1	2,2
20	3,1	5,4
22	3,1	5,4
24	3,6	5,4



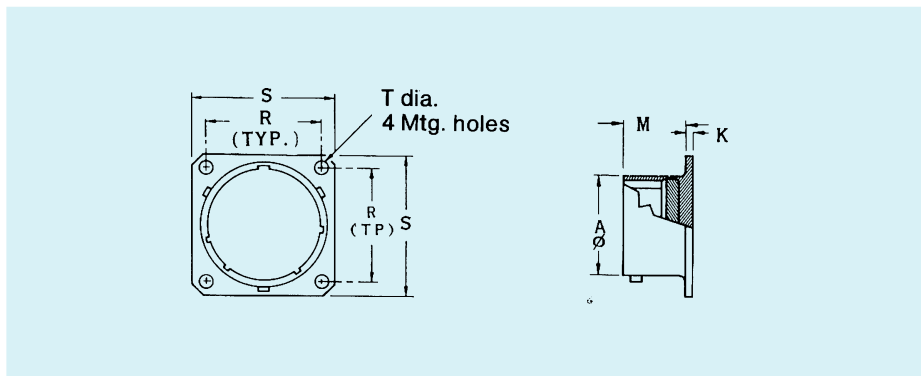
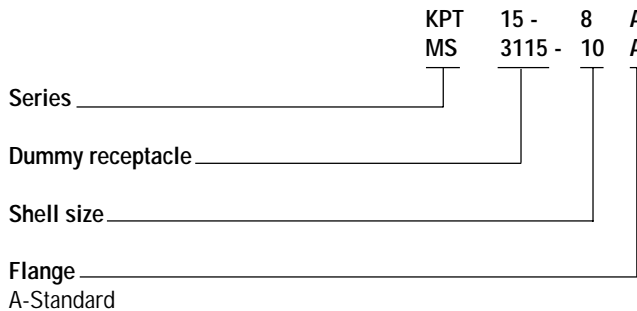
Jam nut receptacle



Shell size	KPT/KPSE	B +0
	A +0,25 / -0	-0,12
8	14,5	13,6
10	17,7	16,8
12	22,7	20,9
14	25,7	24,1
16	28,8	27,2
18	32	30,4
20	35,1	33,6
22	38,4	36,8
24	41,5	40

Dummy receptacles

How to order



Shell size	A	K	M	R	S	Ø T
	+0,03 -0,13	±0,4	±0,15	±0,15	max.	±0,15
* 8 A	12,00	1,6	12,1	15,1	21,0	3,05
* 10 A	15,00	1,6	12,1	18,3	24,2	3,05
* 12 A	19,05	1,6	12,1	20,6	26,6	3,05
* 14 A	22,23	1,6	12,1	23,0	29,0	3,05
* 16 A	25,40	1,6	12,1	24,6	31,3	3,05
* 18 A	28,58	1,6	12,1	27,0	33,7	3,05
* 20 A	31,75	2,4	14,5	29,4	36,9	3,05
* 22 A	34,93	2,4	14,5	31,8	40,1	3,05
* 24 A	38,10	2,4	15,4	34,9	43,3	3,75

* Add KPT 15 or MS 3115 prefixes

Protective caps

Material and finishes

Protective cap	Aluminum alloy
Sash chain	Stainless steel
Cord	Polyamide
Ring	Stainless steel
Clip	Aluminum alloy
Gasket	Fluor Silicone
Endlink / rivet	Stainless steel, passivated
Bayonet pin	Stainless steel, passivated
Finishes	
A232	Zinc cobalt, black
A233	Zinc cobalt, green
A66	Olive drab chromate over cadmium

How to order

KPT80 - 10 D - A34
MS3180 - 10

Series _____
 KPT80 – for plug
 KPT81 – for receptacle

Shell size _____
 8 – 24

Termination _____
 D – Preferred type: with nylon cord and end link clip and end link attached
 C – sash chain
 N – sash chain with ring (81 only)

Modification _____
 A232 – Zinc cobalt, black
 A233 – Zinc cobalt, green
 without code = A66 – oliv drab chromate over cadmium

VG95328 - Z2 C 10

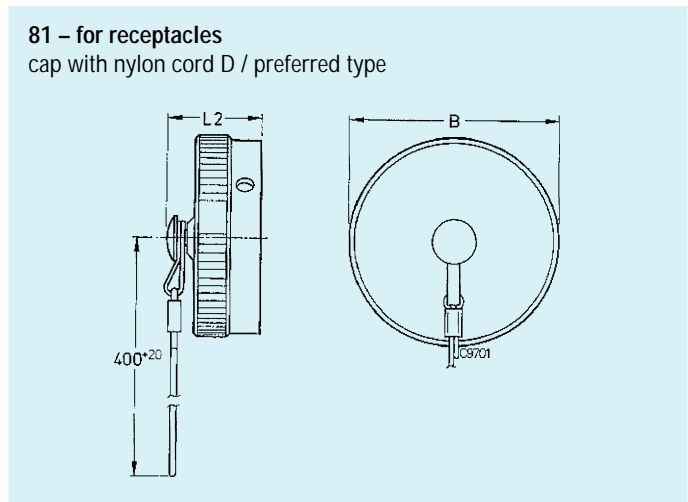
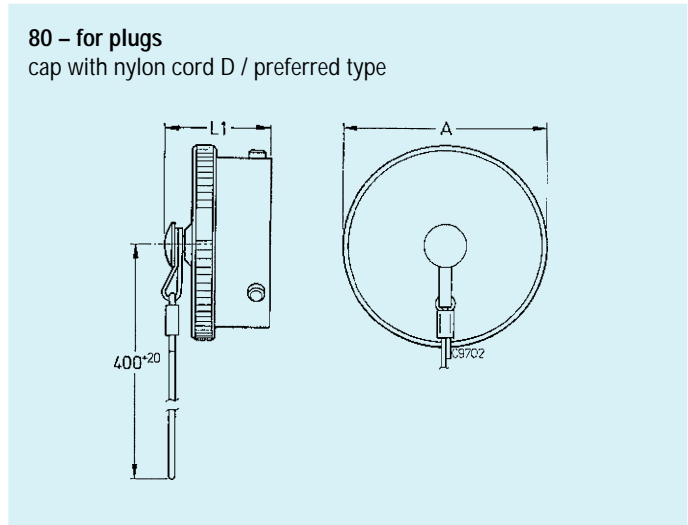
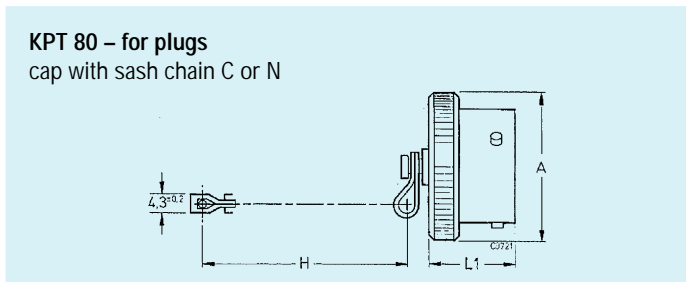
VG Specification _____

Style _____
 Z1 – for receptacle
 Z2 – for plug

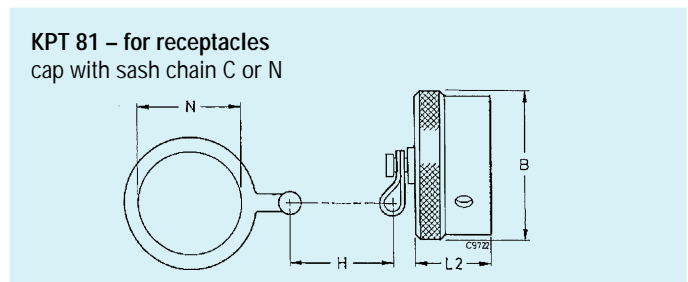
Termination _____
 C – with nylon cord and end link clip and end link attached

Shell size _____
 8 – 24

Crimp tool for clips upon request



Shell size	A	L1 max.	B max.	L2 max.	H max.	N
8	18,26	19,84	18,0	21,44	76	14,7
10	21,44	19,84	20,3	21,44	76	17,9
12	25,40	19,84	25,1	21,44	89	22,6
14	28,58	19,84	28,2	21,44	89	25,8
16	31,75	19,84	31,5	21,44	89	29,0
18	34,92	19,84	34,5	21,44	89	32,2
20	38,10	21,44	37,8	21,44	101	35,3
22	41,28	21,44	40,9	21,44	101	38,5
24	44,45	22,22	44,2	22,22	101	41,7

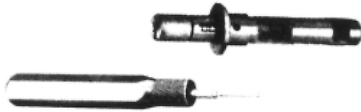


Tools and Accessories

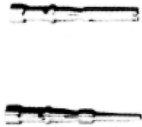
Crimp tools



Insertion/Extraction tool



Contacts



Wire hole fillers/Grommet sealing plugs



Flange gaskets

KPSE

Tool	Designation	Order ref.	Locator*	Order ref.	Test gage	Order ref.
Hand crimp tool	M22520/1-01	995-0001-585	M22520/1-02	995-0001-736	M22520/3-1	995-0001-684
Crimp machine	WA27F-CE	121586-5067	M22520/1-02	995-0001-736	M22520/3-1	995-0001-684
Crimp machine	HACS	HACS	-	-	-	-

* for contact sizes 20, 16, 12

KPSE

Contact size	Insertion tool	Order ref.	Old designation	Extraction tool	Order ref.	LN
20*	-	038894-0018	CIT-20-16	MS2425R20	995-0001-965	W0,6LN29500
20**	M24256A20	995-0001-950	CIT-20-5A	MS2425R20	995-0001-965	W0,6LN29500
16	M24256A16	995-0001-951	CIT-16-1	MS2425R16	995-0001-964	W1,2LN29500
12	M24256A12	995-0001-913	-	MS2425R12	995-0001-966	-

* without insulation support ** with insulation support

KPT14A4

Contact type	Insertion tool	Order ref.	Old designation	Extraction tool	Order ref.	LN
Coaxial	-	-	-	CET-C6B	070064-0000	-

KPSE/VG 95328

Contact size	Contact type	Contact order ref.	KPSE version	VG 95328 version
20	Socket with insulation support	031-8704-203		031-8704-203
	Pin with insulation support	430-8560-006		430-8560-006
16	Socket	031-8704-000		031-8704-000
	Pin	430-8560-004		430-8560-004
12	Socket	031-8704-012		
	Pin	430-8560-016		
	Grounding pin	430-8560-020		

KPT14A4

Coaxial	Pin	DM 53740-5001
	Socket	DM 53742-5001

KPSE

Contact size	Colour code	MS	Order ref.	LN	Cannon
20	Red	MS3187A20	-	BLO,6LN 29500	225-1012-000
16	Blue	MS3187-16A	-	BL1,2LN 29500	225-1011-000
12	Yellow	MS3187-12	-	-	225-0072-000
Coaxial 14A4	Yellow	-	-	-	225-0018-000

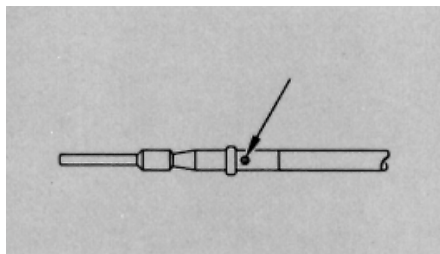
KPSE

Shell size	Alu-Flex conductive	Chloroprene non conductive	Shell size	Alu-Flex conductive	Chloroprene non conductive
8	075-8543-000	075-8543-010	18	075-8543-005	075-8543-015
10	075-8543-001	075-8543-011	20	075-8543-006	075-8543-016
12	075-8543-002	075-8543-012	22	075-8543-007	075-8543-017
14	075-8543-003	075-8543-013	24	075-8543-008	075-8543-018
16	075-8543-004	075-8543-014			

Contact size	Cable size mm ² (AWG)	Strip insulation
20	0,93-0,21 (20-24)	5,0 mm
16	1,91-0,60 (16-20)	6,5 mm
12	3,18-1,91 (12-14)	6,5 mm
14A4 Coax	RG179B/u	

Crimping contacts

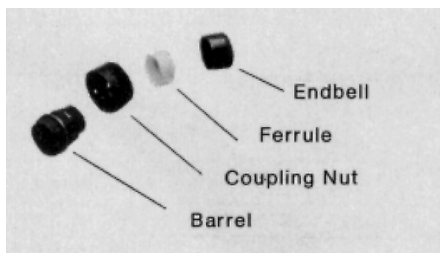
1. Strip wires according to the table above taking care not to cut or nick strands.



4. Release crimped contact and wire from tool. Be certain the wire is visible thru inspection hole in contact.

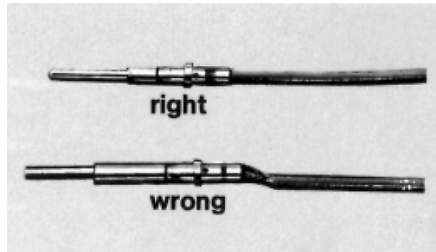


7. Beginning from center cavity and working outwards, insert wired contacts into rear of connector by hand until the front of the contact shoulder is no more than 1/8" from the grommet. Holding the connector securely, position tool behind contact. Push tool straight into contact cavity until contact snaps into position. A light pull on wire will assure that contact is locked securely. Repeat for remaining contacts.

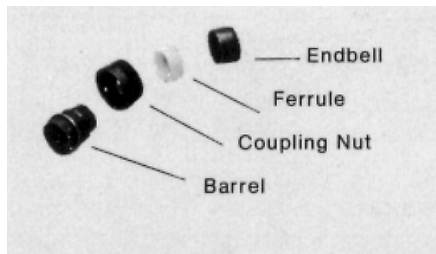


Contact extraction

10. Slide hardware back over wire bundle. Using proper extraction tool or extraction end of proper insertion/extraction tool, proceed as follows:

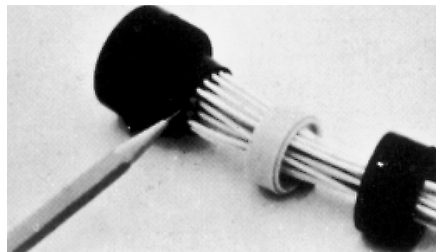


2. Insert stripped wire into contact crimp pot. Wire must be visible thru inspection hole.

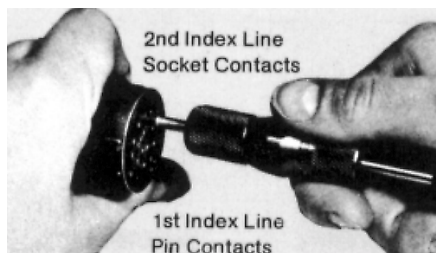


Contact insertion

5. Remove hardware from plug and receptacle. Slide hardware over wire bundle in proper order for re-assembly.



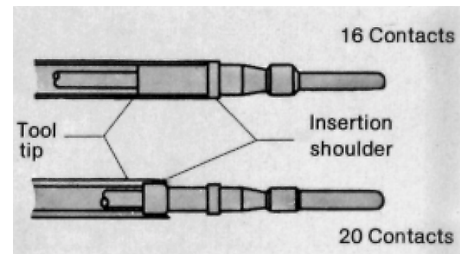
8. Use wire hole fillers or grommet sealing plugs to fill any empty cavities and assemble hardware to rear of plug or receptacle.



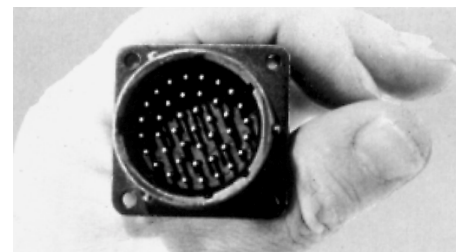
11. Use the proper extraction tool. There are two lines on the clip sleeve which are vital to the contact removal process. The first index line is used for



3. Using correct crimp tool and locator, cycle the tool once to be sure the indentors are open. Insert contact and wire into locator. Squeeze tool handles firmly and completely to insure a proper crimp. The tool will not release unless the crimp indentors in the tool head have been fully actuated.



6. Use the proper contact insertion tool, and slide the tool over the terminal end of the contact. The size 16 contact lies in the tool and the tool tip butts against the contact shoulder. The rear, or insulation support, of the size 20 contact butts against an internal shoulder in the tool tip.



Completion

9. Check face of plug or receptacle for proper contact installation.

removing pin contacts while the second index line is for removing socket contacts. Carefully place the tool tip over the contact to be extracted until the tool tip touches the insulator face. Carefully rotate the tool until the index line is slightly below the insulator face. Keep an even pressure against tool body; push plunger forward with thumb and index finger; and push the contact out through the clip. Carefully remove extraction tool from connector. Pull the wire by hand to complete the removal of the contact.

Please ask for our detailed Assembly Instruction

Cross Reference List KPT/MIL-C-26482, NFL 54125, VG 95328

Part No. KPT Cannon	Part No. MIL-26482	Part No. NFL 54125	Part No. VG 95328	Part No. LN 29500
KPT00B*_*_*_*		25100A*_*_*_*50		
KPT00B*_*_*_*		25100AC*_*_*_*50		
KPT00E*_*_*_*	MS3110E*_*_*_*	25100E*_*_*_*50		
KPT00F*_*_*_*	MS3110E*_*_*_*	25100EC*_*_*_*50		
KPT0E*_*_*_*DN				
KPT0E*_*_*_*DZ				
KPT01A*_*_*_*		25101A*_*_*_*50		
KPT01B*_*_*_*		25101AC*_*_*_*50		
KPT01E*_*_*_*	MS3111E*_*_*_*	25101E*_*_*_*50		
KPT01F*_*_*_*	MS3111F*_*_*_*	25101EC*_*_*_*50		
KPT1E*_*_*_*DN				
KPT06A*_*_*_*		25106A*_*_*_*50		
KPT06B*_*_*_*		25106AC*_*_*_*50		
KPT06E*_*_*_*	MS3116E*_*_*_*	25106E*_*_*_*50		
KPT06F*_*_*_*	MS3116F*_*_*_*	25106EC*_*_*_*50		
KPT06G*_*_*_*		25106J*_*_*_*50		
KPT1E*_*_*_*DZ				
		25102E*_*_*_*50Y11*		
		25107A*_*_*_*50Y11*		
KPT6A*_*_*_*88				
KPT6E*_*_*_*DN				
KPT6E*_*_*_*DZ				
KPT02E*_*_*_*	MS3112E*_*_*_*	25102E*_*_*_*50	H*_*_*_*VG 95328	
KPT07A*_*_*_*		25107A*_*_*_*50		
KPT07E*_*_*_*	MS3114E*_*_*_*	25107E*_*_*_*50		
KPT07F*_*_*_*	MS3114F*_*_*_*	25107EC*_*_*_*50		
KPT08E*_*_*_*				
KPT08F*_*_*_*		25108EC*_*_*_*50		
KPT7E*_*_*_*DN				
KPTB*_*_*_*	MS3119E*_*_*_*	251B*_*_*_*		

Please note: Connectors acc. to VG 95328 and Cannon connectors series KPSE use different contacts – see page 27

Cross Reference List Protective Caps

Part No. Cannon	Part No. MIL-C-26482	Part No. NFL 54125	Part No. VG95328	Part No. LN 29500
KPT80	MS 3180			
KPT80...C			Z 2...VG 95328	
KPT81	MS 3181			
KPT81...C			Z 1...VG 95328	
KPT81...N	MS 3181...N			

Cross Reference List KPSE/MIL-C-26482, NFL 54125, VG95328

Part No. KPSE Cannon	Part No. MIL-C-26482	Part No. NFL 54-125	Part No. VG 95328
KPSE00A*_*_*_*_*		25100RA*_*_*_*_*50	
KPSE00B*_*_*_*_*			
KPSE00E*_*_*_*_*	MS3120E*_*_*_*_*	25100R*_*_*_*_*50	A*_*_*_*_*VG 95328
KPSE00F*_*_*_*_*	MS3120F*_*_*_*_*	25100RC*_*_*_*_*50	B*_*_*_*_*VG 95328
KPSE0E*_*_*_*_*DZ			R*_*_*_*_*VG 95328
KPSE0E*_*_*_*_*DN			
KSPE01A*_*_*_*_*	25101RA*_*_*_*_*50		
KPSE01B*_*_*_*_*			
KPSE01E*_*_*_*_*	MS3121E*_*_*_*_*	25101R*_*_*_*_*50	
KPSE01F*_*_*_*_*	MS3121F*_*_*_*_*	25101RC*_*_*_*_*50	
KPSE*_*_*_*_*DN			
KPSE02E*_*_*_*_*	MS3122E*_*_*_*_*	25102R*_*_*_*_*50	C*_*_*_*_*VG 95328
KPSE06A*_*_*_*_*		25106RA*_*_*_*_*50	
KPSE06B*_*_*_*_*			
KPSE06E*_*_*_*_*	MS3126E*_*_*_*_*	25106R*_*_*_*_*	
KPSE06F*_*_*_*_*	MS3126F*_*_*_*_*	25106RC*_*_*_*_*50	K*_*_*_*_*VG 95328
KPSE6A*_*_*_*_*88			
KPSE6E*_*_*_*_*88			N*_*_*_*_*VG 95328
KPSE6E*_*_*_*_*DN			J*_*_*_*_*VG 9532
KPSE6E*_*_*_*_*DZ			M*_*_*_*_*VG 95328
KPSE07A*_*_*_*_*		25107RA*_*_*_*_*50	
KPSE1E*_*_*_*_*DZ			
KPSE7E*_*_*_*_*DN			S*_*_*_*_*VG 95328
KPSE07E*_*_*_*_*	MS3124E*_*_*_*_*	25107R*_*_*_*_*50	D*_*_*_*_*VG 95328
KPSE07F*_*_*_*_*	MS3124F*_*_*_*_*	25107RC*_*_*_*_*50	E*_*_*_*_*VG 95328
KPSE08E*_*_*_*_*			
KPSE08F*_*_*_*_*		25108RC*_*_*_*_*50	
KPSE7E*_*_*_*_*DZ			T*_*_*_*_*VG 95328

Please note: Connectors acc. to VG 95328 and Cannon connectors series KPSE use different contacts – see page 27

Product Safety Information

THIS NOTE SHOULD BE READ IN CONJUNCTION WITH THE PRODUCT DATA SHEET/CATALOGUE. FAILURE TO OBSERVE THE ADVICE IN THIS INFORMATION SHEET AND THE OPERATING CONDITIONS SPECIFIED IN THE PRODUCT DATA SHEET/CATALOGUE COULD RESULT IN HAZARDOUS SITUATIONS.

1. MATERIAL CONTENT AND PHYSICAL FORM

Electrical connectors do not usually contain hazardous materials. They contain conducting and non-conducting materials and can be divided into two groups.

a) Printed circuit types and low cost audio types which employ all plastic insulators and casings.

b) Rugged, Fire Barrier and High Reliability types with metal casings and either natural rubber, synthetic rubber, plastic or glass insulating materials.

Contact materials vary with type of connector and also application and are usually manufactured from either copper, copper alloys, nickel, alumel, chromel or steel. In special applications, other alloys may be specified.

2. FIRE CHARACTERISTICS AND ELECTRIC SHOCK HAZARD

There is no fire hazard when the connector is correctly wired and used within the specified parameters. Incorrect wiring or assembly of the connector or careless use of metal tools or conductive fluids, or transit damage to any of the component parts may cause electric shock or burns. Live circuits must not be broken by separating mated connectors as this may cause arcing, ionisation and burning.

Heat dissipation is greater at maximum resistance in a circuit. Hot spots may occur when resistance is raised locally by damage, e.g. cracked or deformed contacts, broken strands of wire. Local overheating may also result from the use of the incorrect application tools or from poor quality soldering or slack screw terminals. Overheating may occur if the ratings in the Product Data Sheet/Catalogue are exceeded and can cause breakdown of insulation and hence electric shock.

If heating is allowed to continue it intensifies by further increasing the local resistance through loss of temper of spring contacts, formation of oxide film on contacts and wires, and leakage currents through carbonisation of insulation and tracking paths. Fire can then result in the presence of combustible materials and this may release noxious fumes. Overheating may not be visually apparent. Burns may result from touching overheated components.

3. HANDLING

Care must be taken to avoid damage to any component parts of electrical connectors during installation and use. Although there are normally no sharp edges, care must be taken when handling certain components to avoid injury to fingers. Electrical connectors may be damaged in transit to the customers, and damage may result in creation of hazards. Products should therefore be examined prior to installation/use and rejected if found to be damaged.

4. DISPOSAL

Incineration of certain materials may release noxious or even toxic fumes.

5. APPLICATION

Connectors with exposed contacts should not be selected for use on the current supply side of an electrical circuit, because an electric shock could result from touching exposed contacts on an unmated connector. Voltages in excess of 30 V ac or 42.5 V dc are potentially hazardous and care should be taken to ensure that such voltages can not be transmitted in any way to exposed metal parts of the connector body. The connector and wiring should be checked, before making live, to have no damage to metal parts or insulators, no solder blobs, loose strands, conducting lubricants, swarf, or any other undesired conducting particles. Insulation resistance should be checked to make certain that no low resistance joints or spurious conducting path are existing between contacts and exposed metal parts of the connector body. Further the contact resistance of the connectors should be measured within the electrical circuit in order to identify high resistances which result in excessive connector heating.

Always use the correct application tools as specified in the Data Sheet/Catalogue.

Do not permit untrained personnel to wire, assemble or tramper with connectors.

For operation voltage please see appropriate national regulations.

IMPORTANT GENERAL INFORMATION.

1. Air and creepage paths/Operating voltage
The admissible operating voltages depend on the individual applications and the valid national and other applicable safety regulations.

For this reason the air and creepage path data are only reference values. Observe reduction of air and creepage paths due to PC board and/or harnessing.

2. Temperature
All information given are temperature limits. The operation temperature depends on the individual application.

3. Other important information
Cannon continuously endeavours to improve their products. Therefore, Cannon products may deviate from the description, technical data and shape as shown in this catalogue and data sheets.

4. Harnessing and Assembly Instructions
If applicable, our special harnessing and/or assembly instruction has to be adhered to. This is provided at request.

ITT Cannon, a division of ITT Industries, Inc. manufactures the highest quality products available in the marketplace; however these products are intended to be used in accordance with the specifications in this catalog. Any use or application that deviates from stated operating specifications is not recommended and may be unsafe. No information and data contained in this catalog shall be construed to create any liability on the part of Cannon. Any new issue of this catalog shall automatically invalidate and supersede any and all previous issues. **A limited warranty applies to Cannon products. Except for obligations assumed by Cannon under this warranty, Cannon shall not be liable for any loss, damage, cost of repairs, incidental or consequential damages of any kind, whether or not based on express or implied warranty, contract, negligence or strict liability arising in connection with the design, manufacture, sale, use or repair of the products.** Product availability, prices and delivery dates are exclusively subject to our respective order confirmation form; the same applies to orders based on development samples delivered. This catalog is not to be construed as an offer. It is intended merely as an invitation to make an offer. By this publication, Cannon does not assume responsibility or any liability for any patent infringements or other rights of third parties which may result from its use. Reprinting this catalog is generally permitted, indicating the source. However, Cannon's prior consent must be obtained in all cases.

Cannon is a trademark of ITT Industries, Inc

X-ON Electronics

Largest Supplier of Electrical and Electronic Components

Click to view similar products for [Circular DIN Connectors](#) category:

Click to view products by [ITT](#) manufacturer:

Other Similar products are found below :

[CTV06RQF-25-8SA-LC](#) [CTV06RQF-25-8S-LC](#) [CTV06RQW-25-8SB-LC](#) [CTV06RW-25-20P](#) [CTV06RW-25-20PA](#) [CTV06RW-25-20PB](#)
[CTV06RW-25-20PE-LC](#) [CTV06RW-25-20SB](#) [CTV06RW-25-20SE](#) [CTV07RW-17-8S\(506\)](#) [CTVP00RW-19-32S\(506\)](#) [CTVP00RW-9-35S\(506\)](#) [M83723/71R20416](#) [M83723/71R22196](#) [M83723/71W2039N](#) [M83723/71W24196](#) [M83723/71W2419N](#) [M83723/72A1404N-LC](#)
[M83723/72R1203N](#) [M83723/72W20418](#) [M83723/72W22126](#) [M83723/72W22556](#) [M83723/72W2419N](#) [M83723/72W2461N](#)
[M83723/73R2028N](#) [M83723/73R2039N](#) [M83723/73W1412N](#) [M83723/73W2039N](#) [M83723/74R1624N](#) [M83723/74R1808N](#)
[M83723/74R2212N](#) [M83723/74W1203N](#) [M83723/74W1412N](#) [M83723/74W20416](#) [M83723/74W2041N](#) [M83723/75R10058](#)
[M83723/75W2232N](#) [M83723/76R14157](#) [M83723/76R20256](#) [M83723/76W1808N](#) [M83723/76W2016N](#) [M83723/76W2461N](#)
[M83723/77W2016N](#) [M83723/78R22327](#) [M83723/78W2212N](#) [M83723/78W22556](#) [M85049/50-5F](#) [D38999/20FF11AC](#) [D38999/20FJ20BB](#)
[D38999/20FJ20SC](#)