

# PRODUCT DATA DRAWING

CAD  
GENERATED  
DRAWING

DCN  
CONTROLLED  
DOCUMENT

DWG. NO.

M83517/6-32002

## MATERIAL :

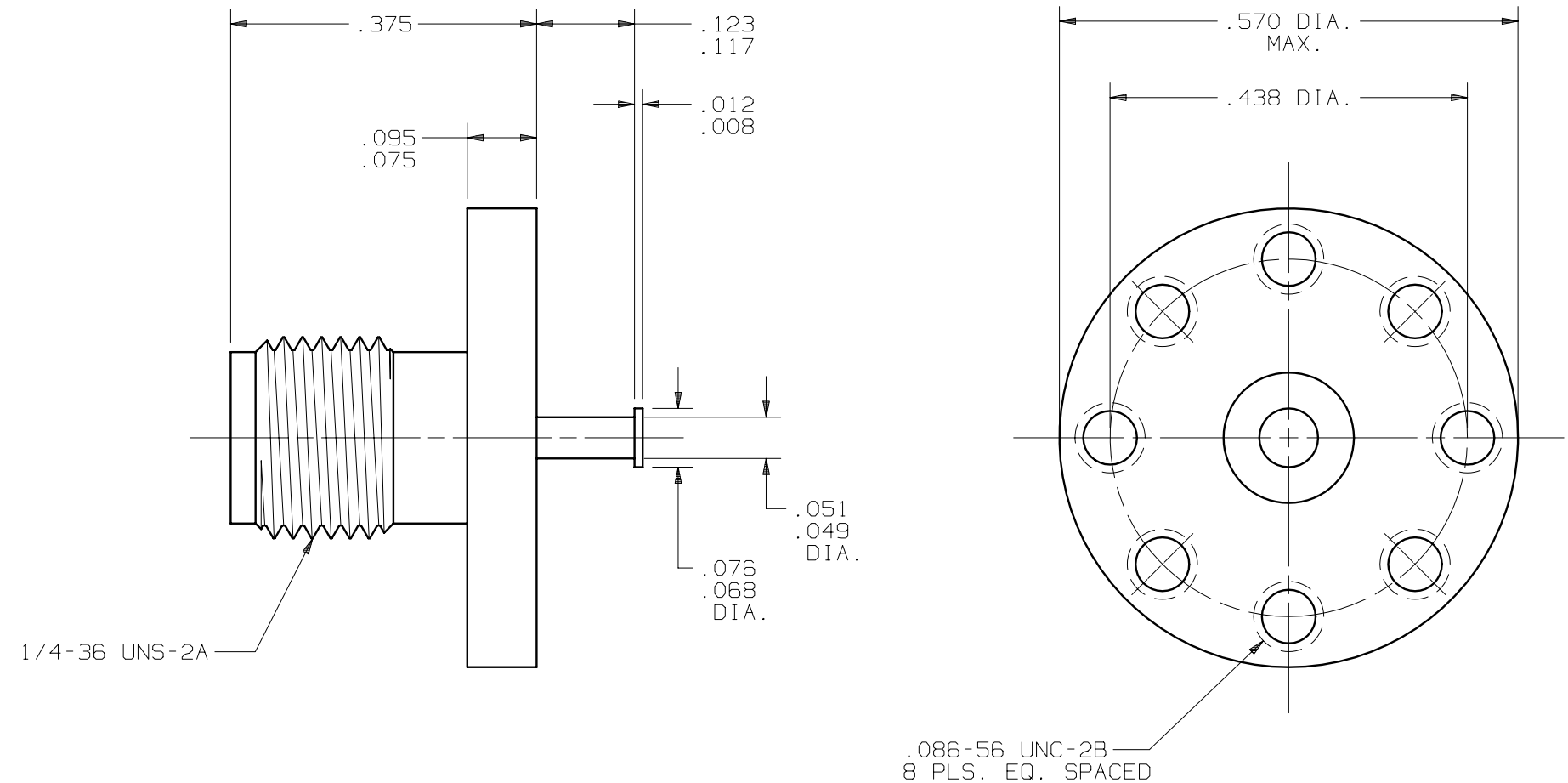
BODY: STAINLESS STEEL PER AMS-5640  
 CONTACT: BERYLLIUM COPPER PER ASTM B196  
 INSULATOR: TEFLON PER ASTM D1710

## FINISH :

CONTACT: GOLD PER ASTM B488, TYPE II,  
 GRADE C, CLASS 1.27; OVER NICKEL  
 PER AMS-QQ-N-290, CLASS 1.  
 BODY: GOLD PER ASTM B 488, TYPE I,  
 GRADE C, CLASS .50; OVER NICKEL  
 PER AMS-QQ-N-290, CLASS 1.

## PERFORMANCE :

IMPEDANCE: 50 OHMS  
 DWV: 1000 VRMS  
 FREQ. RANGE: DC-12.4 GHz  
 INSUL. RES.: 5000 MEGOHMS, MIN.



SYM.	DESCRIPTION	DATE	APPR.	UNLESS OTHERWISE SPECIFIED: 1) ALL DIMENSIONS ARE AFTER PLATING. 2) BREAK CORNERS & EDGES .005 R. MAX. 3) CHAM. 1s1 & LAST THDS. 4) SURFACE ROUGHNESS 63 / MIL-STD-10. 5) DIAS. ON COMMON CENTERS TO BE CONCENTRIC WITHIN .005 T.I.R. 6) REMOVE ALL BURRS.	DIMENSIONS ARE IN INCHES TOLERANCES:			SV Microwave, Inc. 2400 Centrepark West Drive, Suite 100 West Palm Beach, FL 33409
				DECIMALS .X ±.030 .XX ±.015 .XXX ±.005	FRACTIONAL ±1/64	ANGULAR X° ±1°0' X°X' ±15'	TITLE:	
-	REL. NRN 32488	12/04	JMC		MATERIAL: SEE ABOVE	□" AREA:	SMA JACK STRIPLINE LAUNCHER PANEL MOUNT	
				DRAWN: VMJ 12/15/04	FINISH: SEE ABOVE	N/A		
				CHECKED: JMC 12/16/04	SIZE B	CAGE NO. 95077	SCALE 5X	
				APPROVED: JMC 12/16/04			DWG. NO. M83517/6-32002	

## X-ON Electronics

Largest Supplier of Electrical and Electronic Components

*Click to view similar products for [RF Connectors / Coaxial Connectors](#) category:*

*Click to view products by [SV Microwave](#) manufacturer:*

Other Similar products are found below :

[R125315120](#) [8915-1511-000](#) [89674-0827](#) [5916-1103-603](#) [0106-001-000](#) [6-0001-3](#) [6001-7071-019](#) [6002-7051-003](#) [6002-7551-202](#) [6059674-1](#) [619550-1](#) [630059-000](#) [M39012/25-0021](#) [M39012/79-3008](#) [M39030/3-01N](#) [M39030/3-03N](#) [M3933/25-29N](#) [M3933/25-36N](#) [6500-7071-046](#) [6501-1071-002](#) [M83723/72W24576](#) [M83723/72W2457N](#) [6769](#) [CX050L2AQ](#) [7002-1541-010](#) [7003-1572-002](#) [7004-1512-000](#) [7009-1511-004](#) [7010-1511-000](#) [7029-1511-060](#) [7101-1541-010](#) [7101-1571-002](#) [7105-1521-002](#) [7145-1521-002](#) [7209-1511-011](#) [7210-1511-012](#) [7210-1511-015](#) [7210-1511-019](#) [7210-1511-040](#) [7225-1512-050](#) [7242-1511-000](#) [73137-5015](#) [73216-2241](#) [73251-0111](#) [73251-0672](#) [73276-1501](#) [73366-0013](#) [73404-2300](#) [73413-6080](#) [734151610](#)