

RS35, RS50

industrial relays for solar systems



RS35



RS50

- Relays to control power in photovoltaic systems which generate electric energy
- Max. switching current: 35 A (version RS35); 50 A (version RS50)
- 5000 V / 10 mm reinforced insulation • Contact gap: RS35 \geq 2,2 mm; RS50 \geq 1,85 mm • Holding power 0,1 W
- For PCB • DC coils • Reinforced insulation, acc. PN-EN 60730-1 (VDE 0631, part 1); PN-EN 60335-1 (VDE 0700, part 1)
- Recognitions, certifications, directives: RoHS,

Contact data

Number and type of contacts	2 NO	
Contact material	AgSnO₂	
Rated / max. switching voltage	AC	250 V / 440 V
Min. switching voltage		10 V
Rated load	AC1 DC1	RS35: 35 A / 250 V AC RS35: 35 A / 24 V DC
		RS50: 48 A / 250 V AC RS50: 48 A / 24 V DC
Min. switching current		10 mA
Rated current		RS35: 35 A
		RS50: 50 A
Max. breaking capacity	AC1 DC1	RS35: 8 750 VA RS35: 90 W 0,3 A / 300 V
		RS50: 12 500 VA RS50: 90 W 0,3 A / 300 V
Min. breaking capacity		1 W
Contact resistance		\leq 50 m Ω
Max. operating frequency	AC1	360 cycles/hour
• at rated load		3 600 cycles/hour
• no load		
Coil data		
Rated voltage	DC	5 ... 110 V
Must release voltage		DC: \geq 0,05 U _n
Operating range of supply voltage		0,75...2,0 U _n see Table 1
Rated power consumption	DC	0,48 W
Power consumption at pickup voltage		0,3 W
Max. continuous dissipation		1,9 W 20 °C
Insulation according to PN-EN 60664-1		
Insulation rated voltage		250 V AC
Rated surge voltage		6 000 V 1,2 / 50 μ s
Overvoltage category		III
Insulation pollution degree		3
Insulation resistance		1000 M Ω
Dielectric strength		
• between coil and contacts	5 000 V AC	type of insulation: reinforced
• contact clearance	2 500 V AC	type of clearance: full-disconnection
• pole - pole	2 500 V AC	type of insulation: basic
Contact - coil distance		
• clearance		\geq 10 mm
• creepage		\geq 10 mm
General data		
Operating / release time (typical values)		40 ms / 5 ms
Electrical life		
• resistive AC1	3 x 10 ⁴ 35 A, 250 V AC, 20 °C	10 ⁴ 50 A, 250 V AC, 20 °C
• AC7a	3 x 10 ⁴ 35 A, 250 V AC, 20 °C	3 x 10 ⁴ 50 A, 250 V AC, 20 °C
Mechanical life (cycles)		10 ⁶
Dimensions (L x W x H)		40 x 25 x 49,2 mm
Weight		105 g
Ambient temperature	• storage • operating	-40...+105 °C -40...+85 °C
Cover protection category		IP 40 PN-EN 60529
Environmental protection		RTI PN-EN 116000-3
Shock resistance		10 g
Vibration resistance		1,5 mm DA (constant amplitude) 10...55 Hz
Solder bath temperature		max. 270 °C
Soldering time		max. 5 s

The data in bold type pertain to the standard versions of the relays.

RS35, RS50

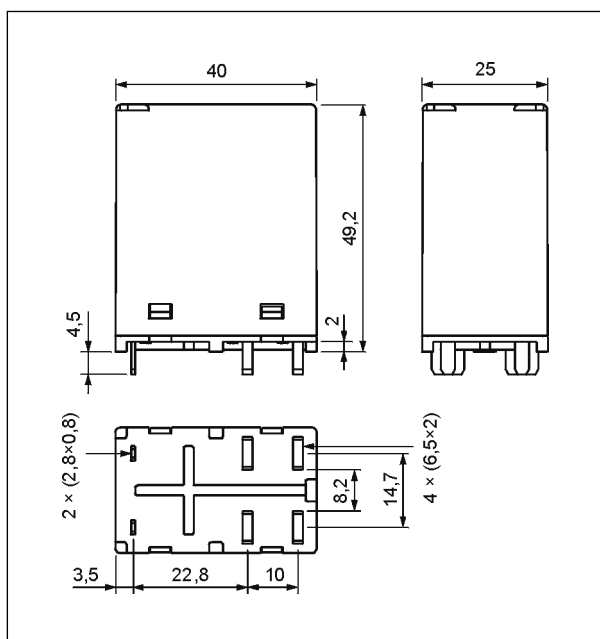
industrial relays for solar systems

Coil data - DC voltage version

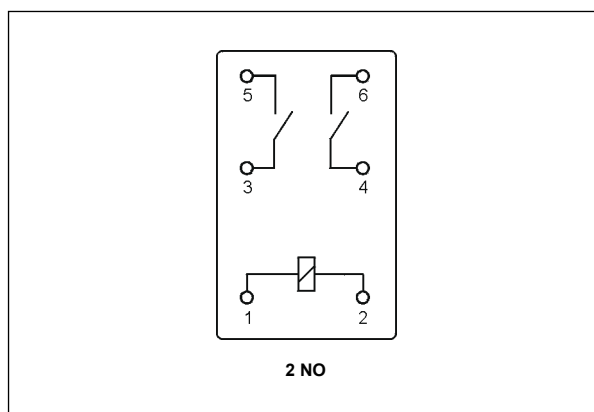
Table 1

Coil code	Rated voltage V DC	Coil resistance at 20 °C Ω	Acceptable resistance	Coil operating range V DC	
				min. (at 20 °C)	max. (at 55 °C)
1005	5	50	± 10%	3,75	10
1009	9	170	± 10%	6,75	18
1012	12	300	± 10%	9,00	24
1018	18	675	± 10%	13,50	36
1024	24	1 200	± 10%	18,00	48
1110	110	25 000	± 10%	82,50	220

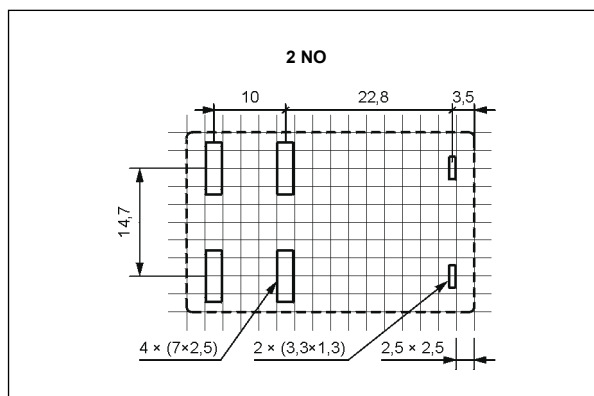
Dimensions



Connection diagrams (pin side view)



Pinout (solder side view)



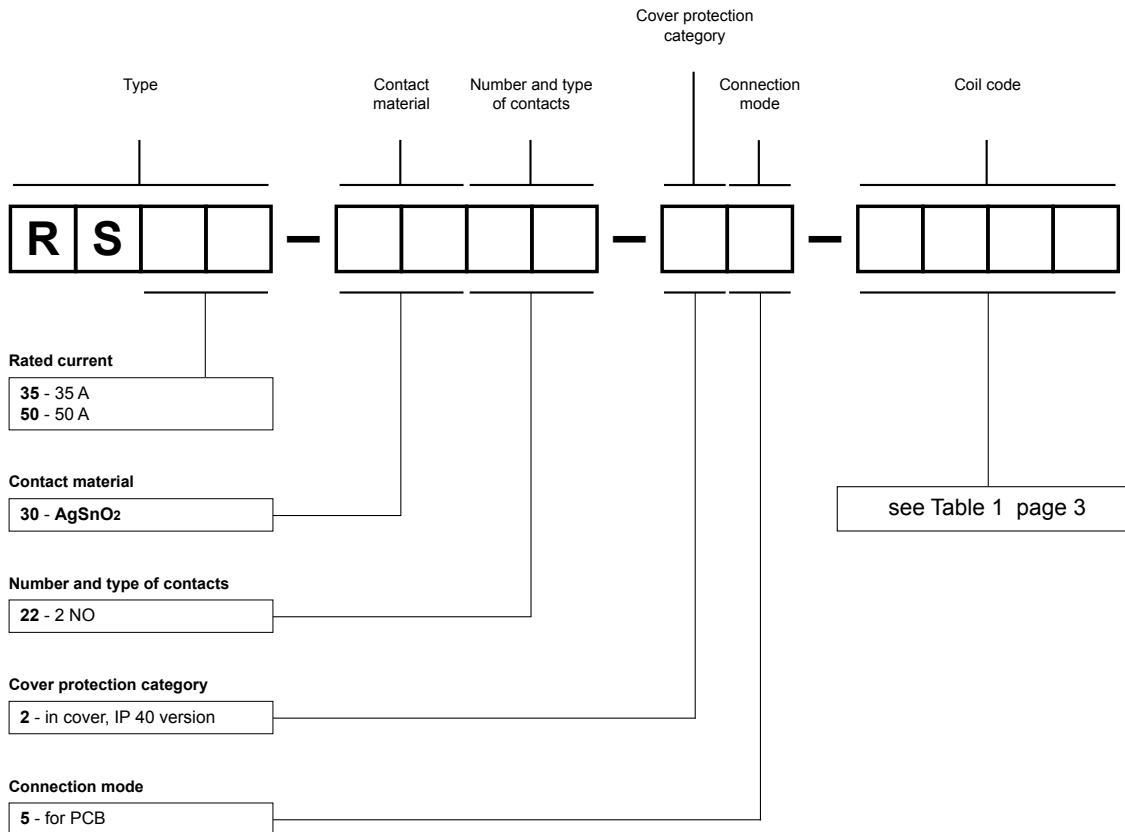
RS35, RS50

industrial relays for solar systems

Mounting

Relays **RS35**, **RS50** are designed for direct PCB mounting.

Ordering codes



Examples of ordering code:

RS35-3022-25-1005

relay **RS35**, rated current 35 A, for PCB, two normally open contacts, contact material AgSnO₂, coil voltage 5 V DC, in cover IP 40

RS50-3022-25-1110

relay **RS50**, rated current 50 A, for PCB, two normally open contacts, contact material AgSnO₂, coil voltage 110 V DC, in cover IP 40

PRECAUTIONS:

1. Ensure that the parameters of the product described in its specification provide a safety margin for the appropriate operation of the device or system and never use the product in circumstances which exceed the parameters of the product. 2. Never touch any live parts of the device. 3. Ensure that the product has been connected correctly. An incorrect connection may cause malfunction, excessive heating or risk of fire. 4. In case of any risk of any serious material loss or death or injuries of humans or animals, the devices or systems shall be designed so to equip them with double safety system to guarantee their reliable operation.

X-ON Electronics

Largest Supplier of Electrical and Electronic Components

Click to view similar products for [General Purpose Relays](#) category:

Click to view products by [Relpol](#) manufacturer:

Other Similar products are found below :

[APF30318](#) [JVN1AF-4.5V-F](#) [PCN-105D3MHZ](#) [5JO-10000S-SIL](#) [5JO-1000CD-SIL](#) [5JO-400CD-SIL](#) [LY2S-AC220/240](#) [LYQ20DC12](#)
[6031007G](#) [6131406HQ](#) [6-1393099-3](#) [6-1393099-8](#) [6-1393122-4](#) [6-1393123-2](#) [6-1393767-1](#) [6-1393843-7](#) [6-1415012-1](#) [6-1419102-2](#) [6-](#)
[1423698-4](#) [6-1608051-6](#) [6-1608067-0](#) [6-1616170-6](#) [6-1616248-2](#) [6-1616282-3](#) [6-1616348-2](#) [6-1616350-1](#) [6-1616350-8](#) [6-1616358-7](#) [6-](#)
[1616359-9](#) [6-1616360-9](#) [6-1616931-6](#) [6-1617039-1](#) [6-1617052-1](#) [6-1617090-2](#) [6-1617090-5](#) [6-1617347-5](#) [6-1617353-3](#) [6-1617801-8](#) [6-](#)
[1617802-2](#) [6-1618107-9](#) [6-1618248-4](#) [M83536/1-027M](#) [CX-4014](#) [MAHC-5494](#) [MAVCD-5419-6](#) [703XCX-120A](#) [7-1393100-5](#) [7-1393111-7](#)
[7-1393144-5](#) [7-1393767-8](#)