

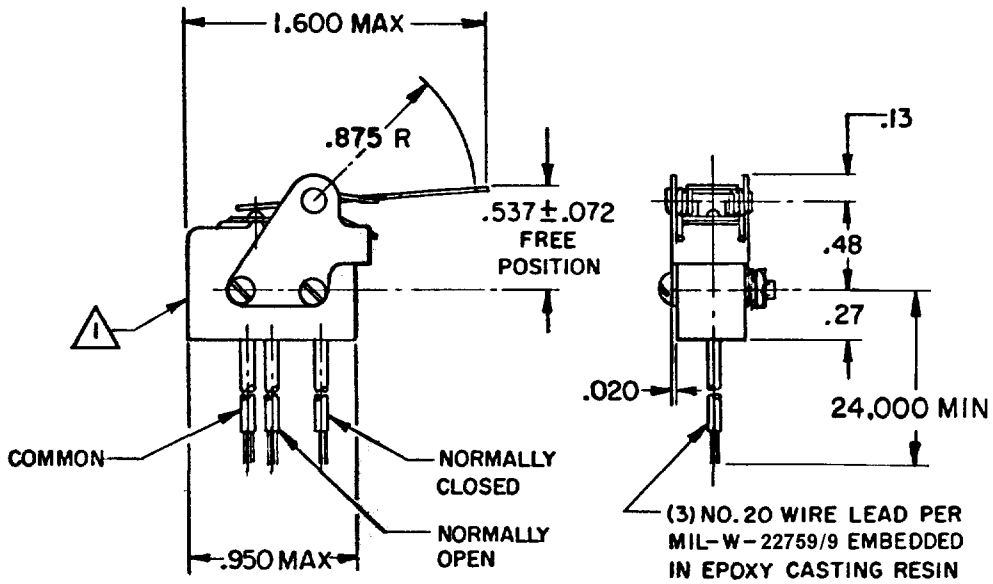
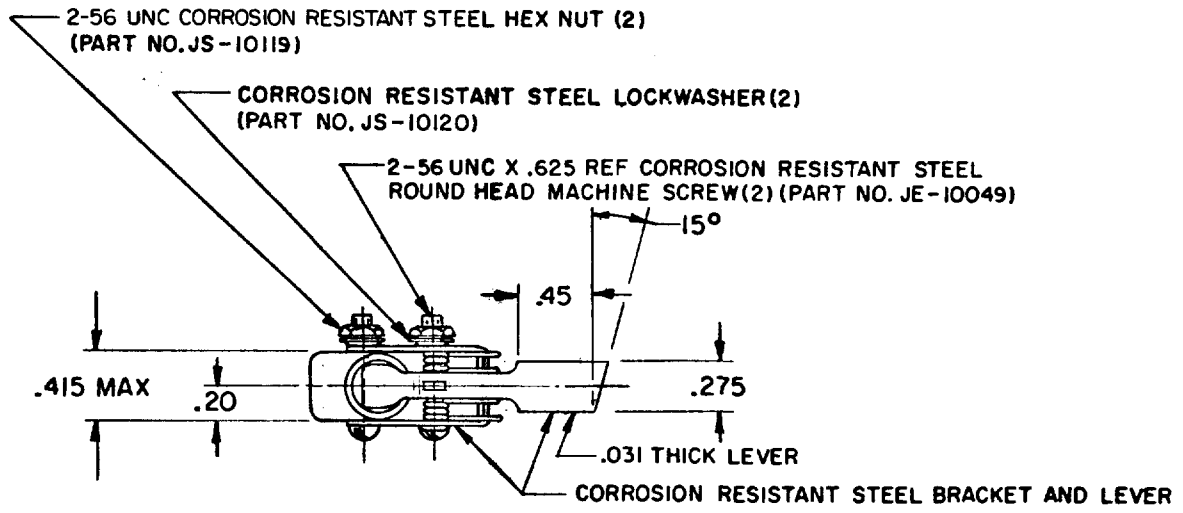
# MICRO SWITCH

FREEPORT ILLINOIS, U.S.A  
A DIVISION OF HONEYWELL  
FED. MFG. CODE 91929

# ACTUATOR-SWITCH

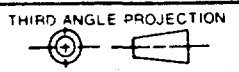
CATALOG LISTING  
**8ASI50**

**8ASI50**  
 PAGE 1 OF 1  
 M  
 DRAWING NUMBER  
**6**  
 ISSUE  
 REVISIONS  
 A NEW DWG PR-101153  
 T M M  
 12 MAY 81  
 B 202196  
 DLT  
 7 FEB 01  
 R S  
 CHECK  
 13 MAY 81  
 R S  
 CHECK  
 16 MAY 81  
 C E B  
 CHECK  
 12 MAY 81  
 RASTER  
 FO-52948-A  
 DRAWN



- NOTES**
- 1 UNIT INCLUDES CAT. LIST. 12SE4-2 TYPE BASIC SWITCH
  - 2- BASIC SWITCH HELD ACTUATED WHEN LEVER IS IN FREE POSITION

THIS DRAWING COVERS A PROPRIETARY ITEM AND IS THE PROPERTY OF MICRO SWITCH, A DIVISION OF HONEYWELL. THIS DRAWING IS NOT TO BE COPIED OR USED WITHOUT THE APPROVAL OF MICRO SWITCH.



CHARACTERISTICS	ELECTRICAL DATA	SCALE FULL																														
OPERATING FORCE — — — 7 OZ MAX	CONTACT ARRANGEMENT S P D T	DO NOT SCALE PRINT																														
RELEASE FORCE — — — 1.250 OZ MIN		TOLERANCES APPLY TO DESIGN UNITS. CONVERSIONS ARE ONLY FOR REFERENCE. UNLESS NOTED, TOLERANCES ARE ±																														
PRETRAVEL — — — .020 APPROX		<table border="1"> <thead> <tr> <th></th> <th>DIM. mm</th> <th>TOL. mm/in</th> <th>DIM. in</th> <th>TOL. mm/in</th> </tr> </thead> <tbody> <tr> <td>NO PLACES</td> <td>X</td> <td>1/64</td> <td></td> <td></td> </tr> <tr> <td>ONE PLACE</td> <td>X, X</td> <td>0.4/018</td> <td>X, X</td> <td>0.8/03</td> </tr> <tr> <td>TWO PLACES</td> <td>X, XX</td> <td>0.16/008</td> <td>X, XX</td> <td>0.38/015</td> </tr> <tr> <td>THREE PLACES</td> <td>X, XXX</td> <td></td> <td>X, XXX</td> <td>0.13/005</td> </tr> <tr> <td>ANGLES</td> <td></td> <td></td> <td></td> <td>2°</td> </tr> </tbody> </table>		DIM. mm	TOL. mm/in	DIM. in	TOL. mm/in	NO PLACES	X	1/64			ONE PLACE	X, X	0.4/018	X, X	0.8/03	TWO PLACES	X, XX	0.16/008	X, XX	0.38/015	THREE PLACES	X, XXX		X, XXX	0.13/005	ANGLES				2°
	DIM. mm	TOL. mm/in	DIM. in	TOL. mm/in																												
NO PLACES	X	1/64																														
ONE PLACE	X, X	0.4/018	X, X	0.8/03																												
TWO PLACES	X, XX	0.16/008	X, XX	0.38/015																												
THREE PLACES	X, XXX		X, XXX	0.13/005																												
ANGLES				2°																												
OVERTRAVEL — — — .260 REF		DESIGN UNITS <input type="checkbox"/> SI METRIC <input type="checkbox"/> US CUSTOMARY <input checked="" type="checkbox"/>																														
		WEIGHT																														

## X-ON Electronics

Largest Supplier of Electrical and Electronic Components

*Click to view similar products for [Basic / Snap Action Switches](#) category:*

*Click to view products by [Honeywell](#) manufacturer:*

Other Similar products are found below :

[83228001](#) [01.098.1358.1](#) [602EN1-6B](#) [602EN532](#) [602EN535-RB](#) [602HE5-RB1](#) [604HE162](#) [604HE223-6B](#) [624HE17-RB](#) [6HM89](#) [6PA78-JM](#)  
[6SE1](#) [6SX1-H58](#) [70500840](#) [MBD5B1](#) [MBH2731](#) [73-316-0012](#) [79211759](#) [79211923](#) [79218589](#) [7AS12](#) [ML-1155](#) [ML-1376](#) [831010C3.0](#)  
[831060C3.TL](#) [831090C2.EL](#) [83131904](#) [84212012](#) [8AS239](#) [8HM73-3](#) [903VB1-PG](#) [914CE1-6G](#) [PL-100](#) [11SM1077-H4](#) [11SM1077-H58](#)  
[11SM1-TN107](#) [11SM405](#) [11SM703-T](#) [11SM8423-H2](#) [11SX37-T](#) [11SX48-H58](#) [11SX55-H58](#) [11SM2442-T](#) [11SM76-T](#) [11SM77-H58](#)  
[11SM77-T](#) [11SM863-T](#) [11SM866](#) [11SX47-H58](#) [A7CN-1M-1-LEFT](#)